

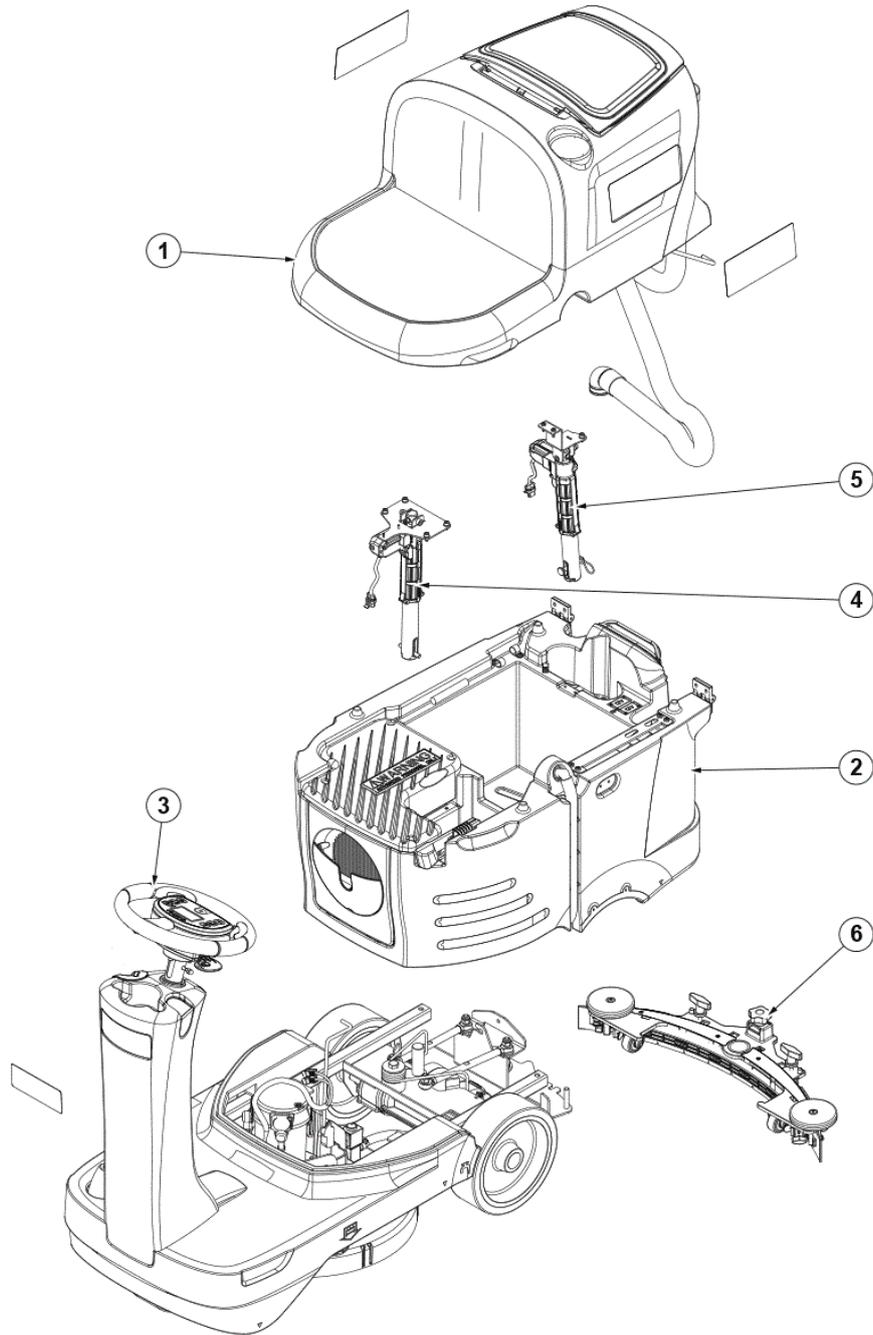
PARTS LIST



2018.01.28

TABLE OF CONTENTS

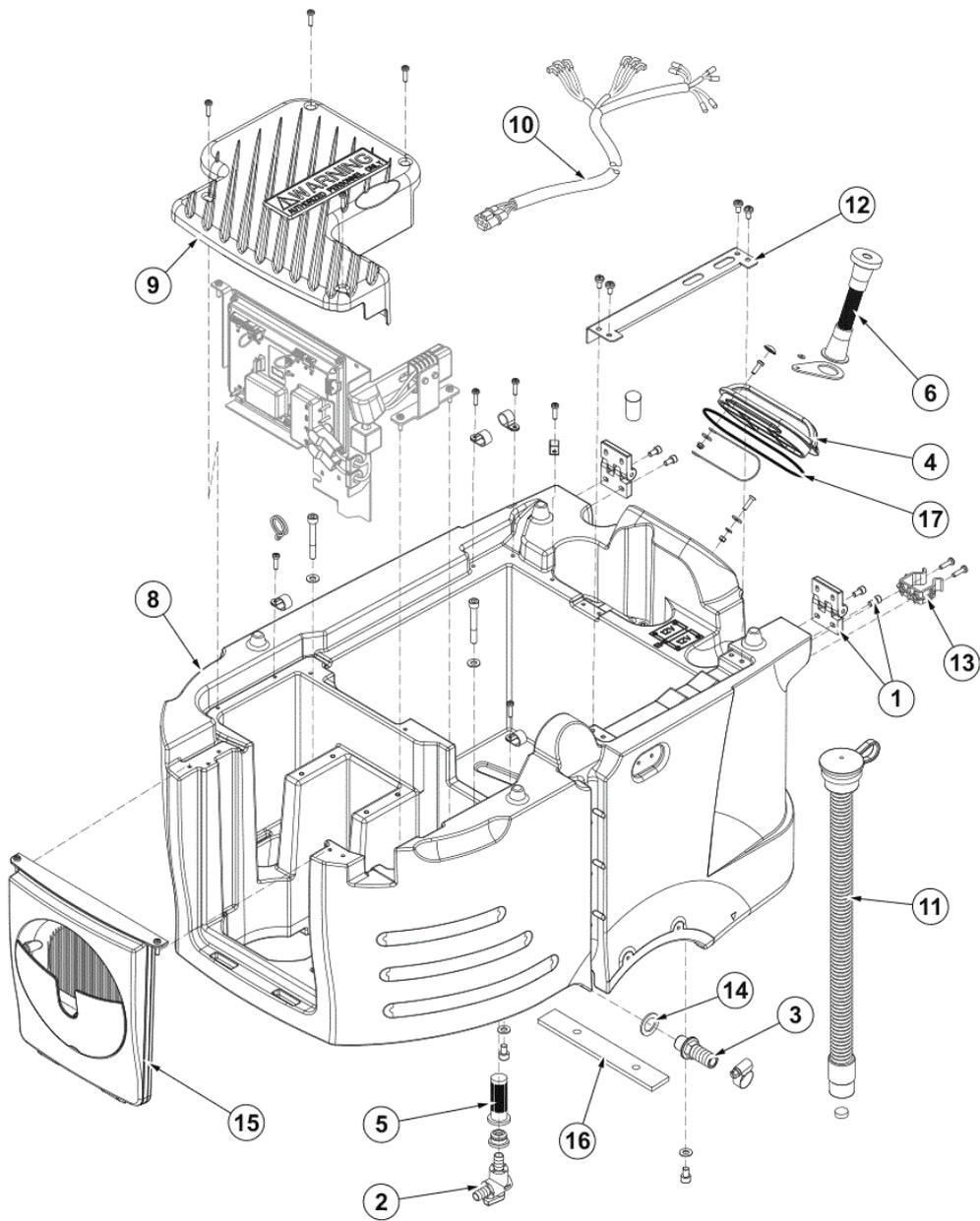
PL GENERAL VIEW	1
PL SOLUTION TANK	3
PL RECOVERY TANK	5
PL FOOTBOARD, COLUMN AND KEY SYSTEM	7
PL CHASSIS SYSTEM	9
PL MOTOR DRIVE	11
PL FRONT WHEEL SYSTEM	13
PL STEERING COLUMN SYSTEM	15
PL STEERING WHEEL SYSTEM	17
PL SOLUTION SYSTEM	19
PL ACTUATORS	21
PL SQUEEGEE SYSTEM	23
PL BRUSH DECK	25
PL ELECTRICAL SYSTEM	27
ECOFLEX SYSTEM (Model No.: 9087410020, 9087411020)	29
PL BATTERY CHARGER	31
PL ACCESSORIES 01	33
PL ACCESSORIES 02	35
PL ACCESSORIES 03	37
WIRING DIAGRAM (Model No.: 9087410020, 9087411020)	39
PL RECOMMENDED PARTS	41



No.	Part No.	Qty.	Description	Part Note
1		1	RECOVERY ASSEMBLY	[1]
2		1	SOLUTION NILFISK ASSEMBLY	[2]
3		1	BODY MACHINE NILFISK ASSEMBLY	[3]
4		1	ACTUATOR FRONT ASSEMBLY	[4]
5		1	ACTUATOR REAR ASSEMBLY	[4]
6		1	SQUEEGEE ASSEMBLY	[5]

Part Notes:

- [1] - PL RECOVERY TANK
- [2] - PL SOLUTION TANK
- [3] - PL CHASSIS
- [4] - PL ACTUATORS
- [5] - PL SQUEEGEE SYSTEM



PL SOLUTION TANK

SC2000I 53 B FULL PKG NIL

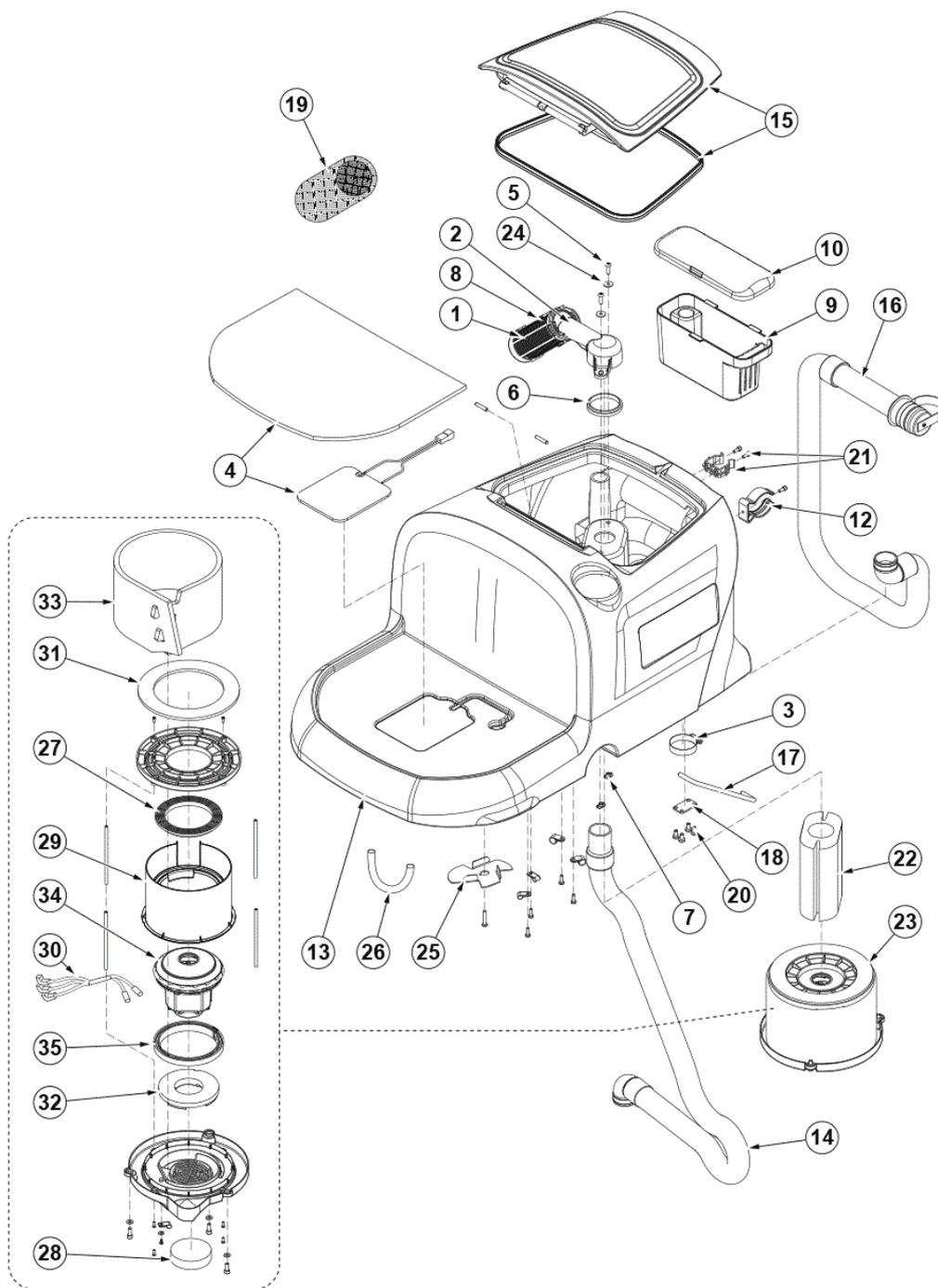
2017.11.02

2017.08.02

No.	Part No.	Qty.	Description	Part Note
1	9098329000	1	HINGES KIT	
2	9100000803	1	VALVE ELBOW PKD	
3	9100000574	1	BARB HOSE STRAIGHT	
4	1465355000	1	CAP SOLUTION TANK KIT	
5	9100001353	1	FILTER SOLUTION TANK PKD	[1]
6	9100000952	1	FILLING HOSE	
8	9100001753	1	TANK SOLUTION 70L PLAST. GREY KIT	[2]
8	9100001752	1	TANK SOLUTION 70L PLAST. GREY SIP	
9	9100001102	1	COVER BATTERY CHARGER SIP	
10	9100001120	1	HARNESS TANK SIP	
11	9100001578	1	HOSE FRESH WATER LEVEL	[3]
12	9100001129	1	SUPPORT F SAFETY BAR SIP	
13	9100001164	1	CLAMP HOSE D.40 BLACK KIT	
14	9100001139	2	GASKET RUBBER	
15	9100001182	1	COVER FUNCTIONS CARD KIT	
16	9100001150	1	PROTECTION RUBBER ADHESIVE F TANK SIP	
17	9100001370	1	O-RING F. HEPA/ULPA FILTER SIP	

Part Notes:

- [1] - OPTIONAL
- [2] - Before S/N 3510161103625
- [3] - SEE INST. INSTR. 9100001577



PL RECOVERY TANK

SC2000I 53 B FULL PKG NIL

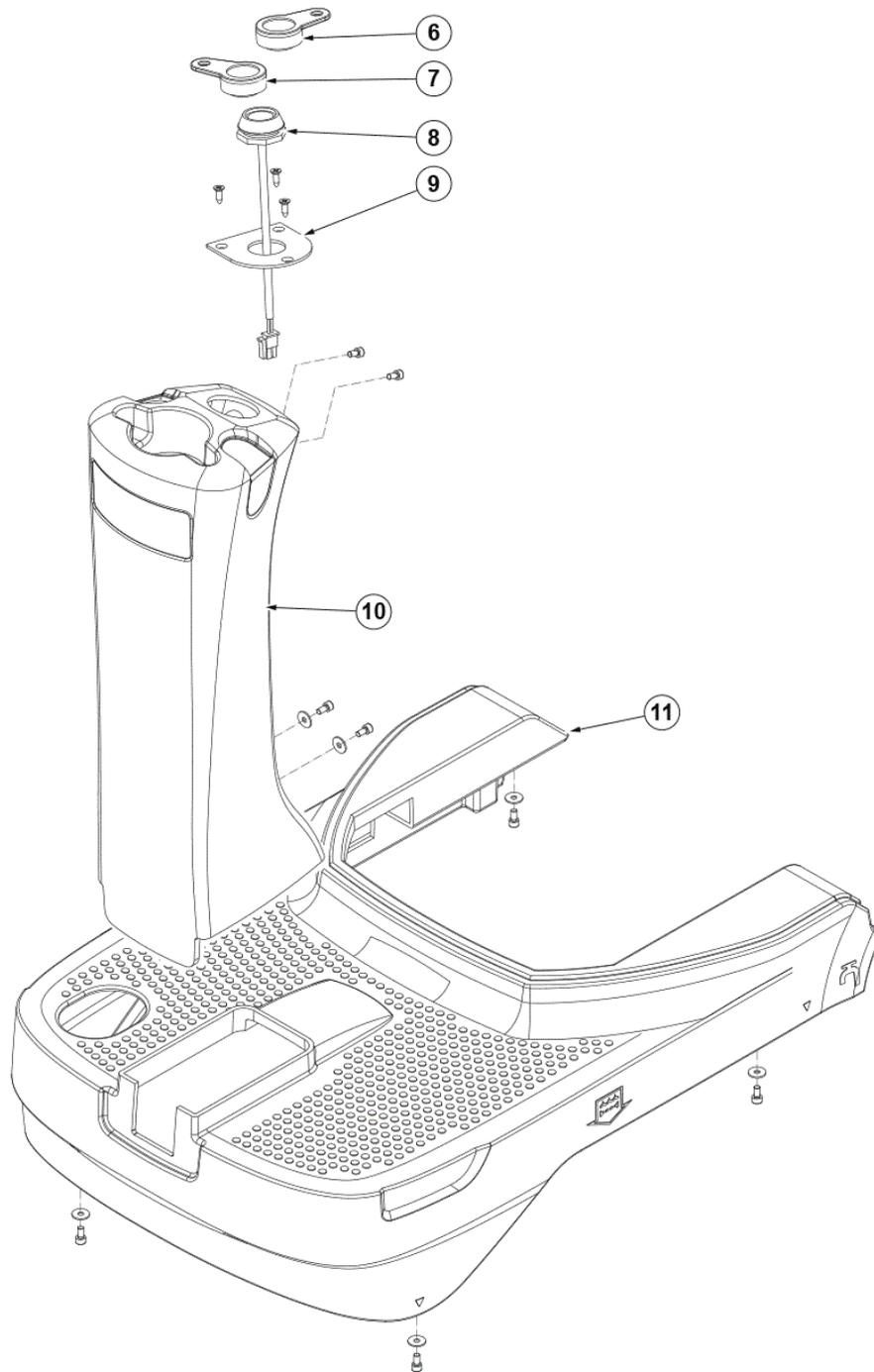
2017.11.02

2017.08.02

No.	Part No.	Qty.	Description	Part Note
1	9100000817	1	BALL FLOATING SIP	
3	9100001348	1	CLAMP 14/32-52 10 PCS SET	
4	9100001130	1	CUSHION SEAT ADHESIVE KIT	
6	9100000928	1	GASKET FLOAT SUPPORT PKD	
8	9100000818	1	CAGE FLOAT HALF 2 PCS SET	
9	9100001091	1	TRAY DEBRIS SIP	
10	9100001092	1	COVER TRAY DEBRIS SIP	
12	909 6380 000	1	CLAMP KIT	
13	9100001095	1	TANK RECOVERY 70L PLAST. GREY SIP	
14	9100001106	1	HOSE SUCTION SQUE. 90	
15	9100001511	1	COVER RECOVERY TANK KIT	
16	9100001113	1	HOSE DRAIN 90 BLACK	
19	909 5065 000	1	FILTER ANTIFOAMING	[1]
21	9100001164	1	CLAMP HOSE D.40 BLACK KIT	
22	9100001143	1	SOUNDPROOFING UPPER VACUUM MOTOR SIP	
23	9100001181	1	MOTOR VACUUM 24V 310W KIT	
23	9100000957	1	HIGH POWER VACUUM MOTOR 24V 450W KIT	[2]
25	9100001146	1	PLATE HARNESS PROTECTION SIP	
26	9100001154	1	HOSE CORRUGATED BLACK D.6 L.150MM SIP	
29	9100000822	1	SUPPORT INT. INSULATION	
30	9100001116	1	HARNESS VACUUM MOTOR SIP	
33	9100001142	1	SOUNDPROOFING VACUUM MOTOR SIP	
34	9100001144	1	MOTOR VACUUM 24V 310W SIP	
K1	9100001875	1	SUPPORT FLOAT KIT	[3]
K2	9100001165	1	BAR SAFETY F TANK KIT	[4]
K3	9100001166	1	GASKETS VACUUM MOTOR KIT	[5]

Part Notes:

- [1] - OPTIONAL
- [2] - OPTIONAL - INST. INSTR. 9100000968
- [3] - NOT SHOWN - POS. 2-5-6-7-24
- [4] - NOT SHOWN - POS. 17-18-20
- [5] - NOT SHOWN - POS. 27-28-31-32-35



PL FOOTBOARD, COLUMN AND KEY SYSTEM

SC2000I 53 B FULL PKG NIL

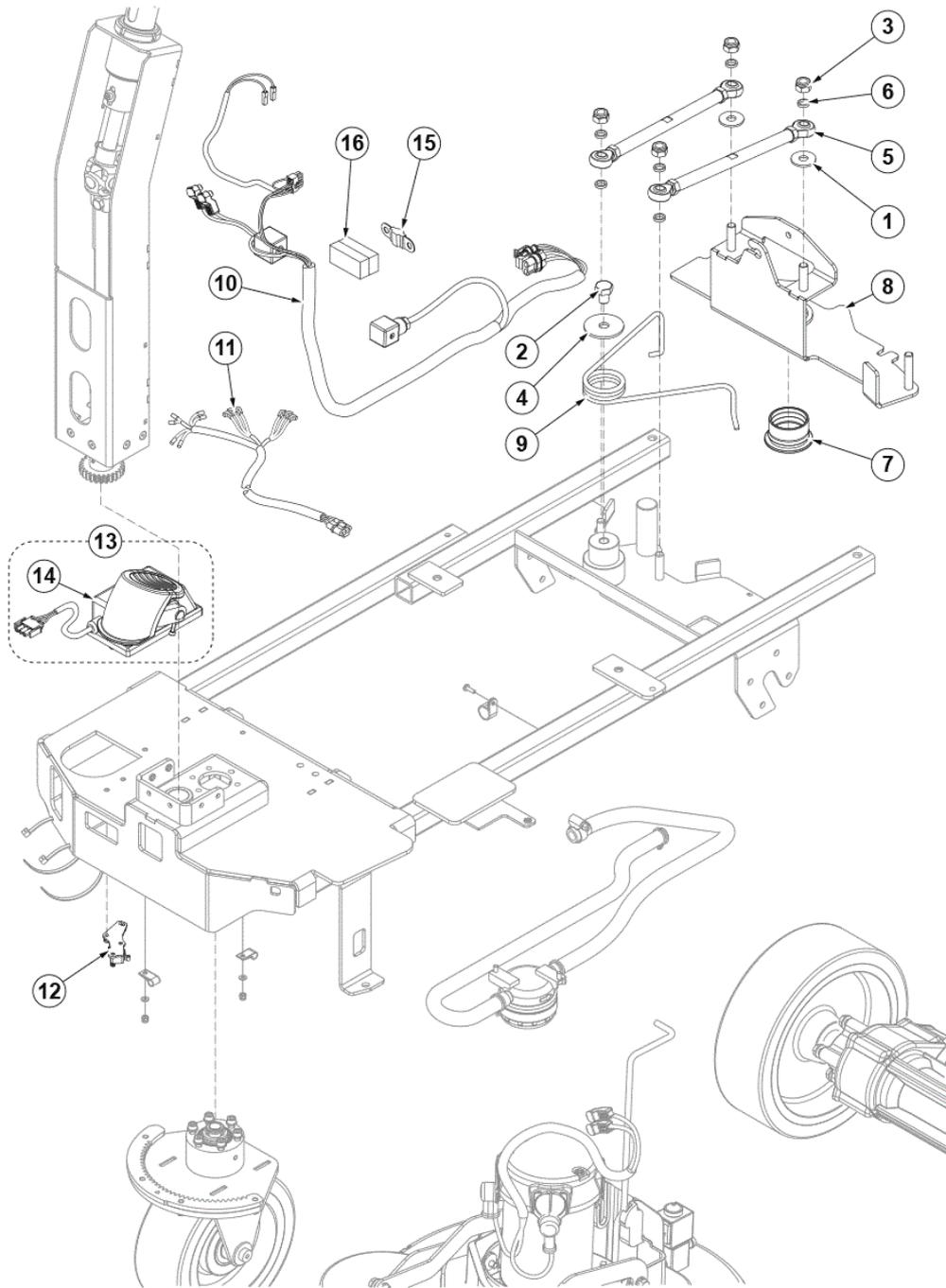
2017.11.02

2017.08.24

No.	Part No.	Qty.	Description	Part Note
6	56116518	1	SMART KEY-USER	[1]
7	56116519	1	SMART KEY-SUPERVISOR	[1]
8	56116477	1	IBUTTON-PROBE	
9	9100002386	1	PLATE GALV. F SMARTKEY SIP	
10	9100002375	1	COLUMN STEERING PLAST. GREY SIP	
11	9100001097	1	FOOTBOARD GREY SIP	

Part Notes:

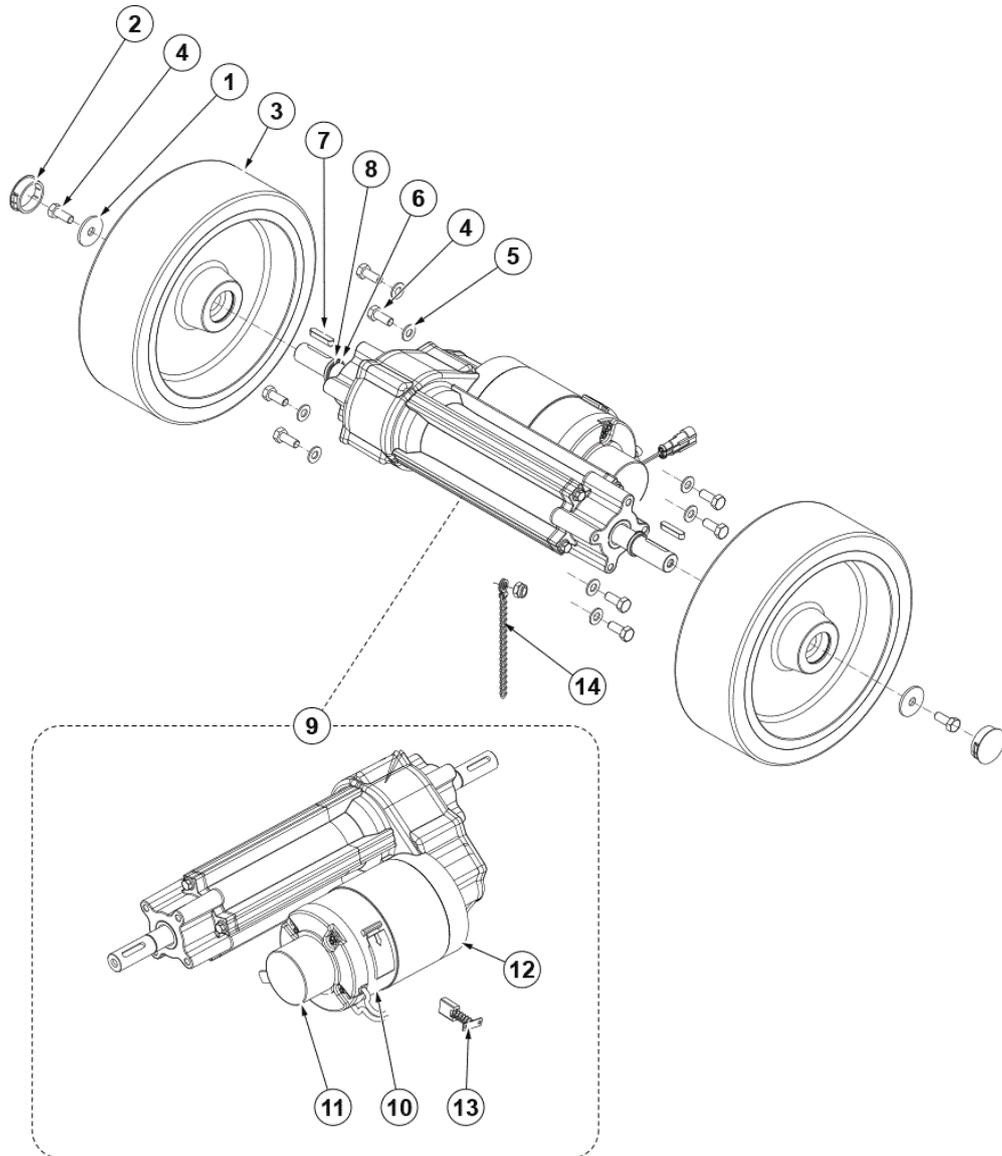
[1] - OPTIONAL



No.	Part No.	Qty.	Description	Part Note
5	9100001090	2	ROD EYE M10 PKD	
7	9100001096	1	SLEEVE RUBBER BLACK F SUCTION HOSE SIP	
8	9100001108	1	SUPPORT SQUEEGEE SIP	
10	9100002236	1	HARNESS MACHINE SIP	
11	9100002385	1	HARNESS FOOTBOARD F GREY LINE SIP	
12	9100001183	1	MICROSWITCH KIT	
13	9100001180	1	THROTTLE KIT	
14	9100001140	1	THROTTLE ELECTRONIC SIP	
15	9100002234	1	FUSE BOLT DOWN 50A SIP	
16	9100002235	2	HOLDER FUSE SIP	
K1	9100001167	1	HARDWARE SAFETY BAR KIT	[1]
K2	9100001168	1	SPRING ZERO SETTING	[2]

Part Notes:

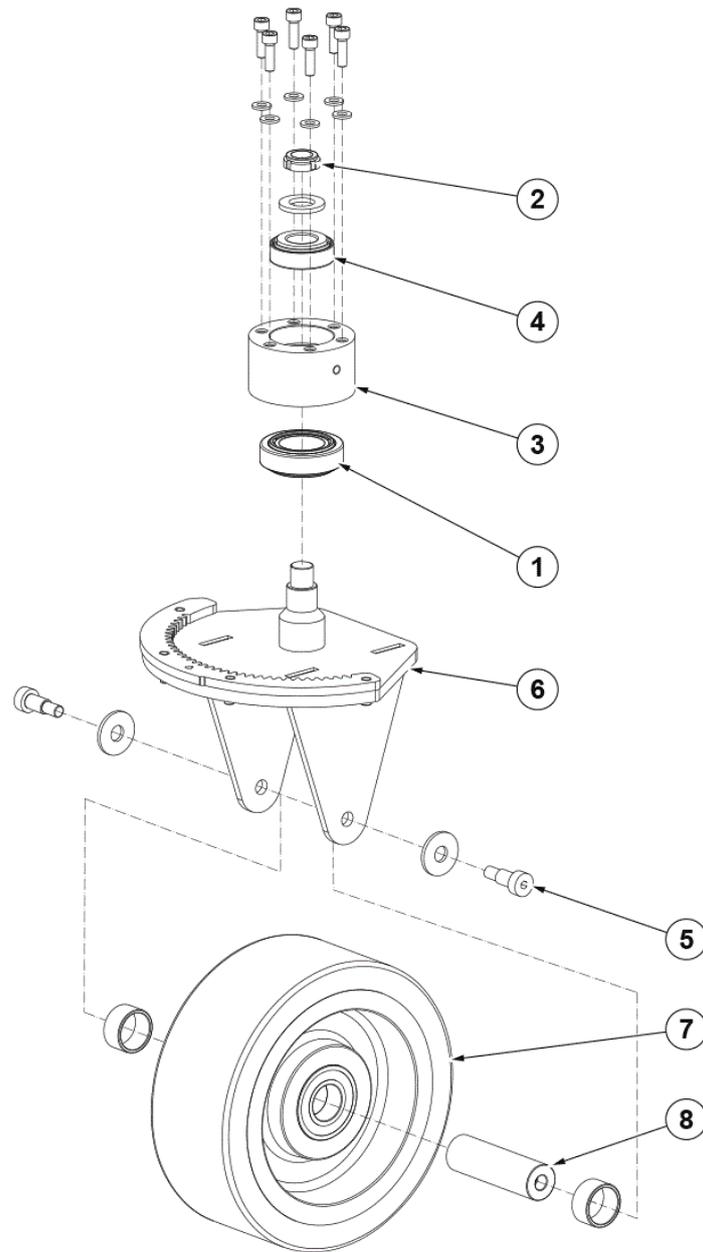
- [1] - NOT SHOWN - POS. 1-3-6
- [2] - NOT SHOWN - POS. 2-4-9



No.	Part No.	Qty.	Description	Part Note
3	9100001162	1	WHEEL D.254X80	
5	9100001351	1	WASHER PLAIN M8 ISO7089 SS 10 PCS SET	
6	9100001346	1	RING D 20 UNI7435 10	
7	9100001156	1	KEY JOINT 6X30 UNI6604A	
8	9100001161	1	SPACER 20.5X25X4 10 PCS SET	
9	9100001099	1	MOTOR DRIVE 400W 24V	
10	9100001198	1	BAND METAL F ELECTRIC	
11	9100001199	1	BRAKE ELECTR. RELEASED	
12	9100001200	1	MOTOR ELECTRIC 400W 24V	
13	1464432000	1	BRUSH CARBON KIT 4PCS	
14	9100002418	1	CHAIN ANTISTATIC KIT	[1]
K1	9100001169	1	HARDWARE WHEEL D.254X80	[2]

Part Notes:

- [1] - STARTING FROM S/N (please wait)
- [2] - NOT SHOWN - POS. 1-2-4



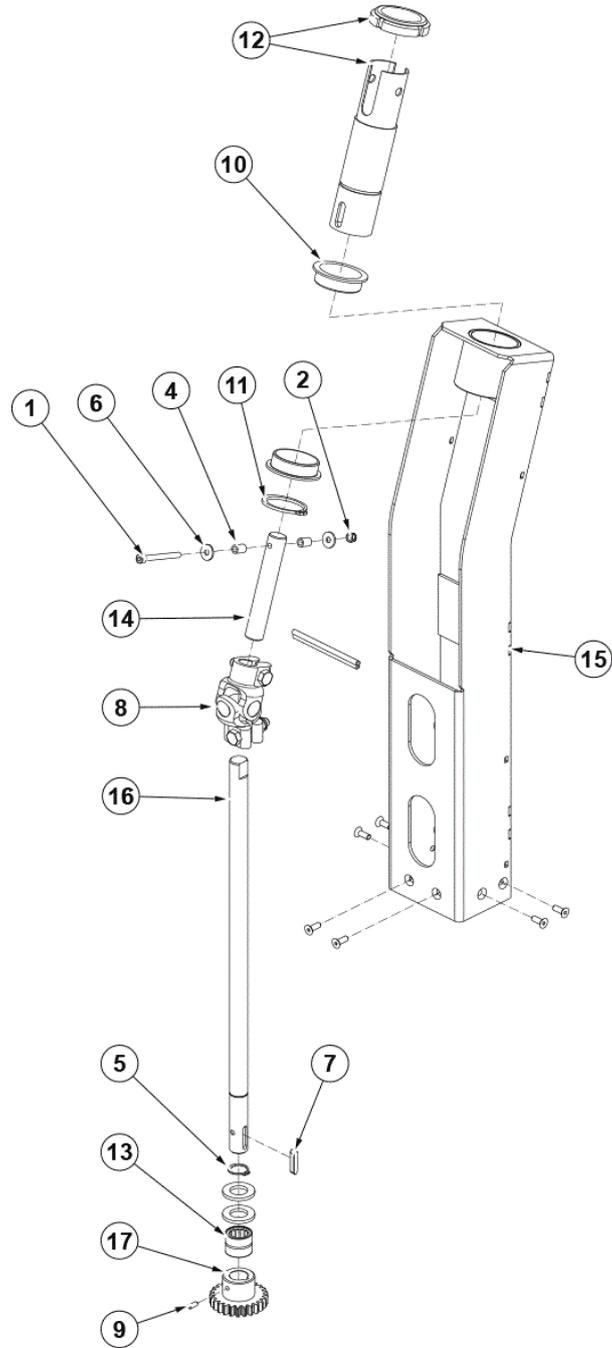
PL FRONT WHEEL SYSTEM

SC2000I 53 B FULL PKG NIL

2017.11.02

2017.08.02

No.	Part No.	Qty.	Description	Part Note
1	1467636000	1	BEARING TAPER ROLLER	
2	9100001349	1	NUT RING M15X1 KMA2 LIGHT SER.10 PCS SET	
3	9100001734	1	SUPPORT BALL BEARING	
4	1467639000	1	BEARING TAPER ROLLER	
5	9100001160	1	SCREW SHOUL 10X16 M8	
6	9100001646	1	SUPPORT FRONT WHEEL ASSEMBLED SIP	
7	9100002334	1	WHEEL D.200X76	
8	9100001101	1	PIN WHEEL SIP	



PL STEERING COLUMN SYSTEM

SC2000I 53 B FULL PKG NIL

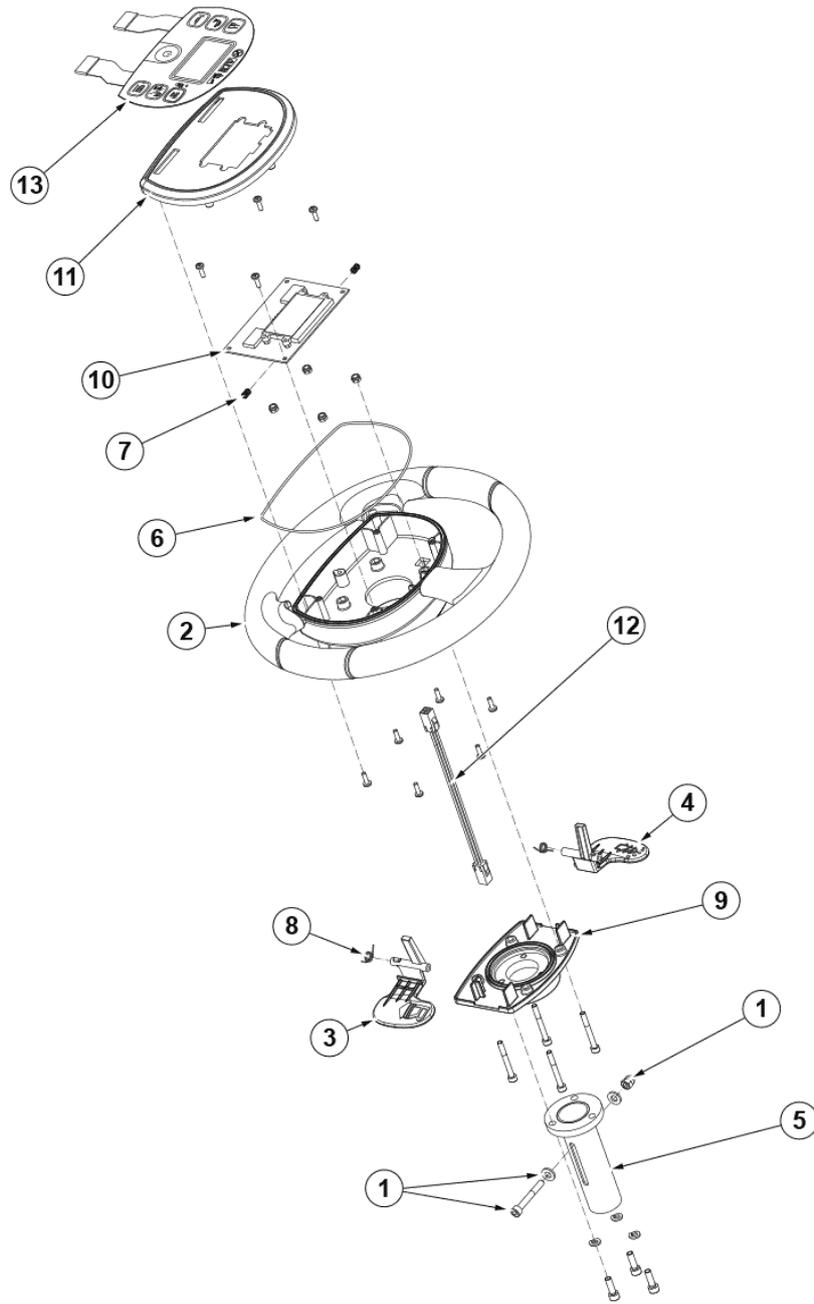
2017.11.02

2017.08.02

No.	Part No.	Qty.	Description	Part Note
5	9100001345	1	RING D 17 UNI7435 10	
7	1466146000	1	KEY 5X5X25 UNI6604A PKD	
8	1466319000	1	JOINT UNIVERSAL D.17 SIP	
9	9100001350	1	SCREW GRUB M5X10	
10	9100001085	2	BEARING FLANGE IGLIDUR GFM-4044-14 SIP	
11	9100001087	1	RING D.40 UNI7436 SIP	
12	9100001450	1	TUBE STEERING KIT	
13	9100001093	1	BEARING NEEDLE ROLLER	[1]
13	9100001449	1	HARDWARE STEERING	
13	9100002416	1	BEARING BALL 6203 2RS 2 PCS SET	[2]
14	9100001107	1	SHAFT STEERING UPPER SIP	
15	9100001109	1	SUPPORT STEERING COLUMN SIP	
16	9100001110	1	SHAFT STEERING LOWER SIP	
17	9100001125	1	PINION T25 P50 SIP	
K1	9100001170	1	HARDWARE STEERING TUBE KIT	[3]

Part Notes:

- [1] - UNTILS/N 3510163104804
- [2] - STARTINGFROMS/N 3510163104805
- [3] - NOT SHOWN - POS. 1-2-4-6



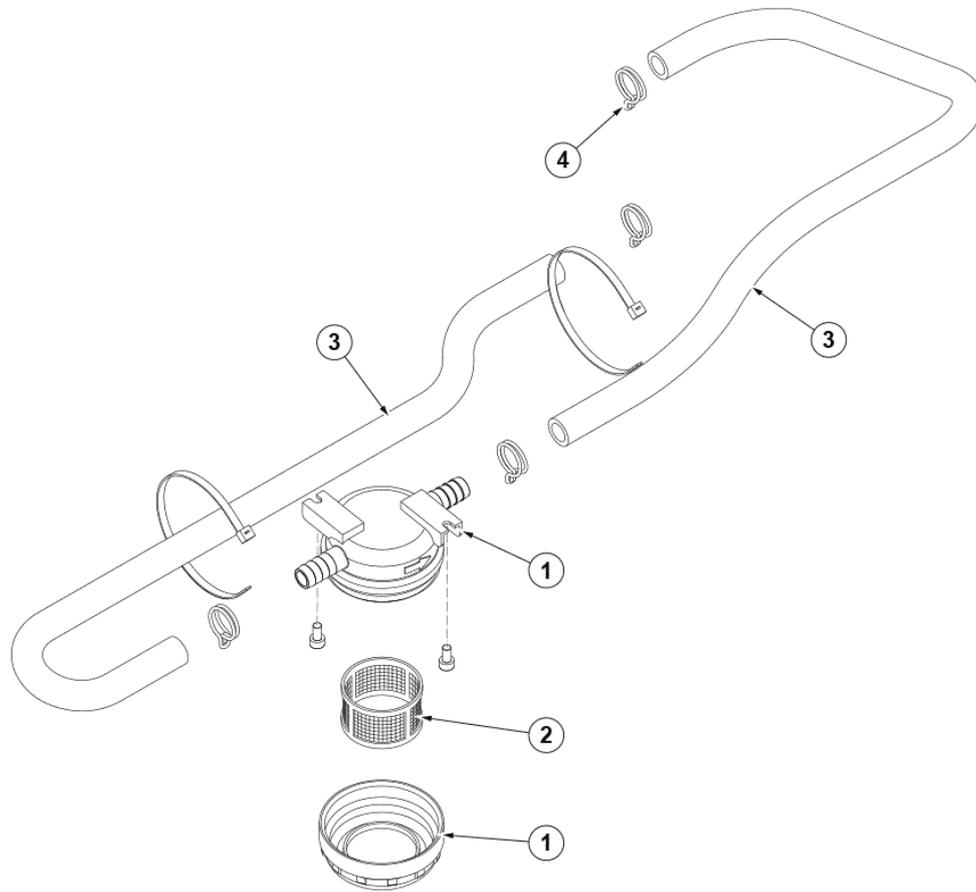
PL STEERING WHEEL SYSTEM

SC2000I 53 B FULL PKG NIL

2017.11.02

2017.08.24

No.	Part No.	Qty.	Description	Part Note
1	9100001171	1	HARDWARE STEERING WHEEL KIT	
2	9100001082	1	WHEEL STEERING	
3	9100001083	1	LEVER RIGHT PA YELLOW SIP	
4	9100001084	1	LEVER LEFT PA BLACK SIP	
5	9100001086	1	TUBE ADJUST.STEERING WHEEL SIP	
6	9100001088	1	GASKET ROUND D.2 SIP	
7	9100001157	1	SPRING MOVING BOTTON 10 PCS SET	
8	9100001158	1	SPRING TORSION FOR STEERING 10 PCS SET	
9	9100001089	1	COVER LOWER SIP	
10	9100002373	1	CONTROLLER DISPLAY SIP	
11	9100001114	1	COVER STEERING WHEEL SIP	
12	9100002372	1	CABLE EXTENSION F CONTROLLER DISPLAY SIP	
13	9100001123	1	DASHBOARD CONTROL PANEL	



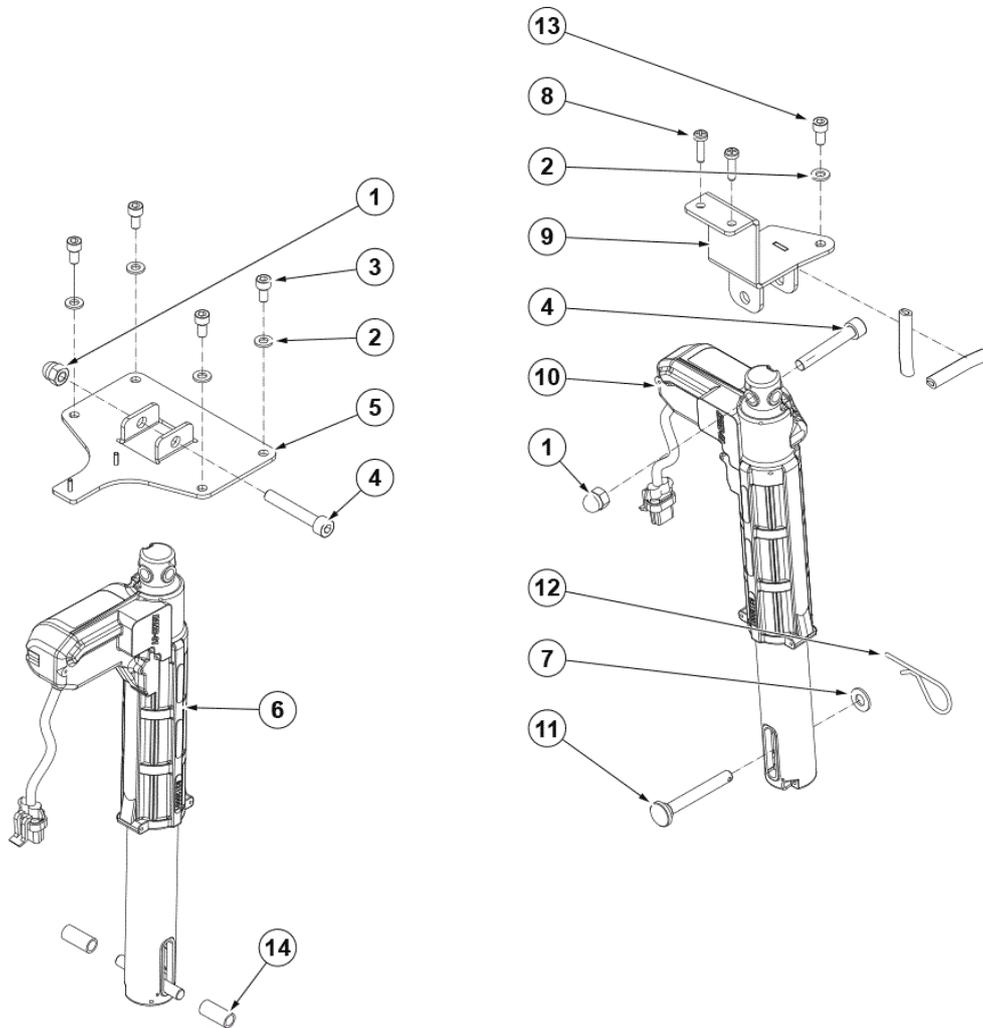
PL SOLUTION SYSTEM

SC2000I 53 B FULL PKG NIL

2017.11.02

2017.08.25

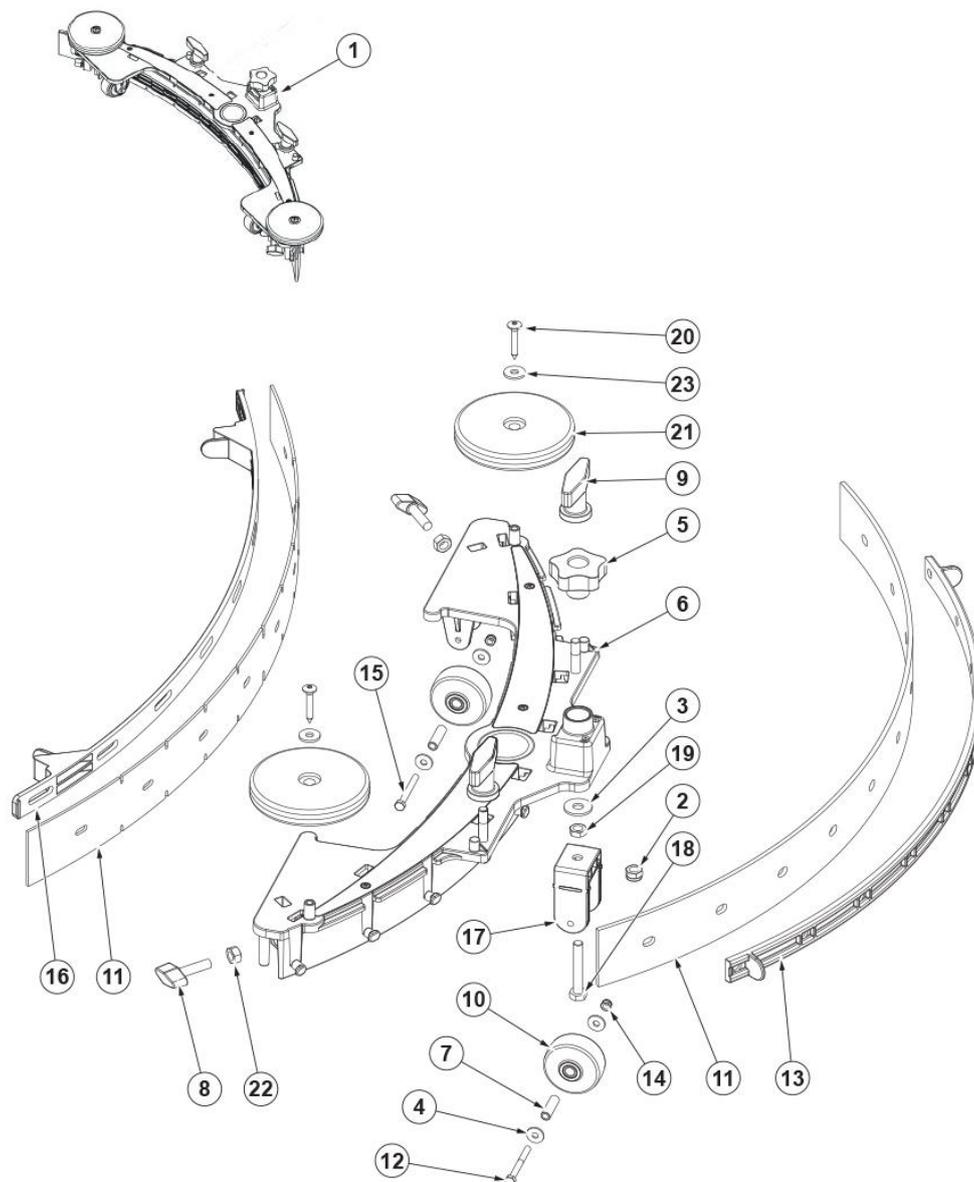
No.	Part No.	Qty.	Description	Part Note
1	9100000860	1	FILTER WATER PKD	
2	9100000861	1	NET WATER FILTER	
3	9100001174	1	HOSES SOLUTION KIT	
4	9100001159	1	CLAMP DOUBLE WIRE SPRING D.18 10 PCS SET	



No.	Part No.	Qty.	Description	Part Note
5	9100001126	1	SUPPORT DECK ACTUATOR SIP	[1]
6	9100001131	1	ACTUATOR 24V DC STROKE	
9	9100001103	1	SUPPORT SQUEEGEE ACTUATOR SIP	[2]
9	9100001754	1	SUPPORT SQUEEGEE ACTUATOR GALV. SIP	[3]
10	9100001133	1	ACTUATOR 24V DC STROKE	
14	9100002105	1	CAP D.9 PLASTIC 10 PCS SET	[4]
K1	9100001663	1	HARDWARE ACTUATOR SUPPORT KIT	[5]
K2	9100001173	1	HARDWARE ACTUATOR KIT	[6]

Part Notes:

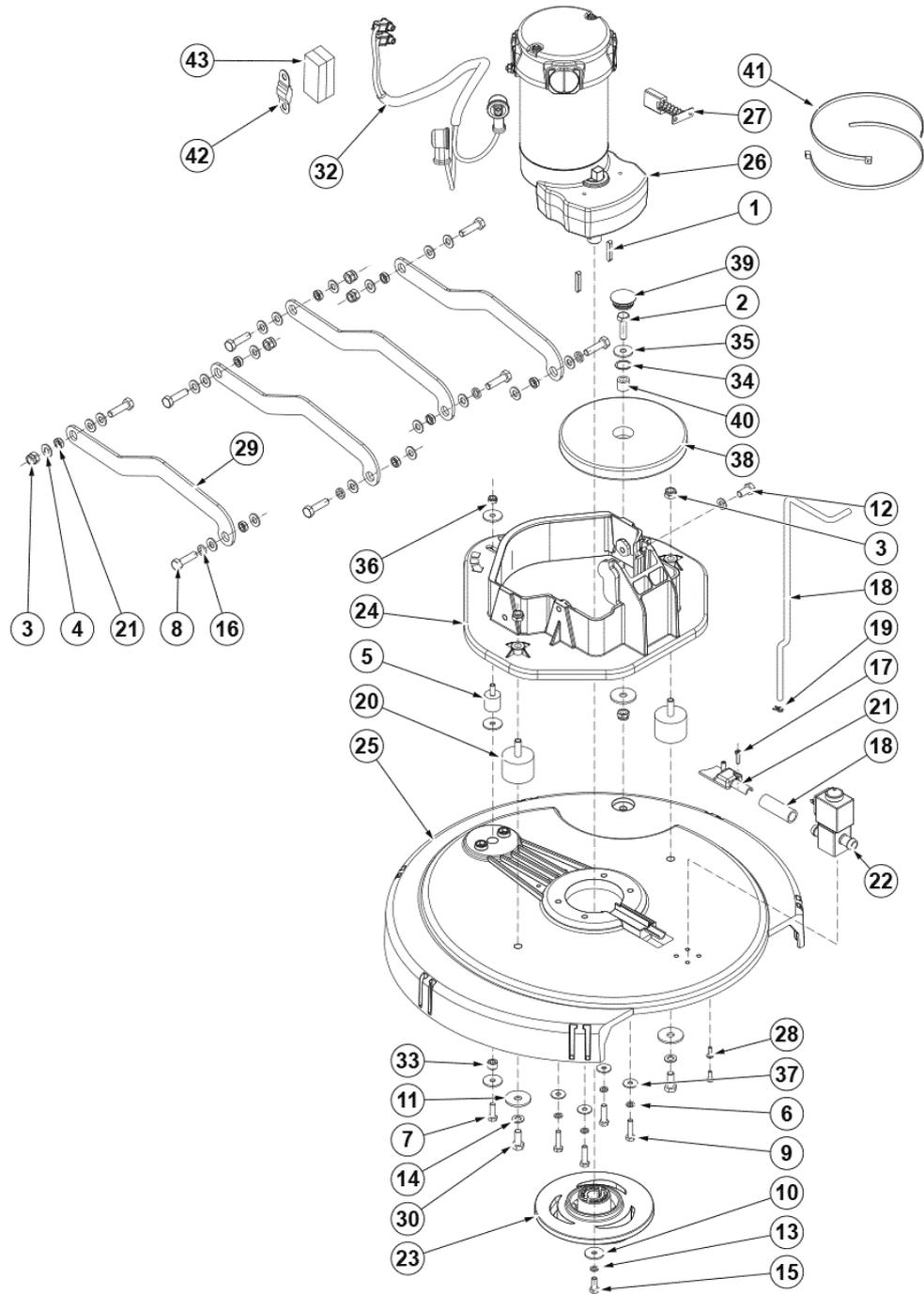
- [1] - SEE TSB-FC-2016-007
SEE DE TSB-FC-2016-007
- [2] - STOCK COVERS GUARANTEE
UNTIL S/N 3510163404520
- [3] - STARTING FROMS/N 3510163404521
- [4] - SEE TSB-FC-2016-021
- [5] - NOT SHOWN - POS. 2-3-8-13
- [6] - NOT SHOWN - POS. 1-4-7-11-12



No.	Part No.	Qty.	Description	Part Note
1	9100001366	1	SQUEEGEE NON MARKING	[1]
1	9100001367	1	SQUEEGEE PU 730MM/29 KIT	[2]
5	9100000862	1	KNOB LOBES M8 FEMALE SIP	
6	9100000747	1	SQUEEGEE 730MM/29	
7	9100002408	1	SPACER 5.1X8X28.5 PLASTIC 3 PCS SET	
8	9100000791	2	KNOB M8X30 THD STUD SS	
9	9097637000	1	SQUEEGEE FIXING KIT	
10	9100000559	3	WHEEL D.51 GREY PKD	
11	9100000810	1	BLADE SQUEEGEE 740MM 29	[3]
11	9100000490	1	BLADE SQUEEGEE 730MM 29	[3]
11	9100000060	1	BLADE SQUEEGEE 730MM 29	[3]
13	9100000864	1	STRAP ELASTIC F REAR	
16	9100000865	1	STRAP FRONT SQUEEGEE	
17	9100000866	1	SUPPORT SQUEEGEE WHEEL	
21	9100001816	1	WHEEL BUMPER D.100	
K1	9100000748	1	HARDWARE SQUEEGEE KIT	[4]

Part Notes:

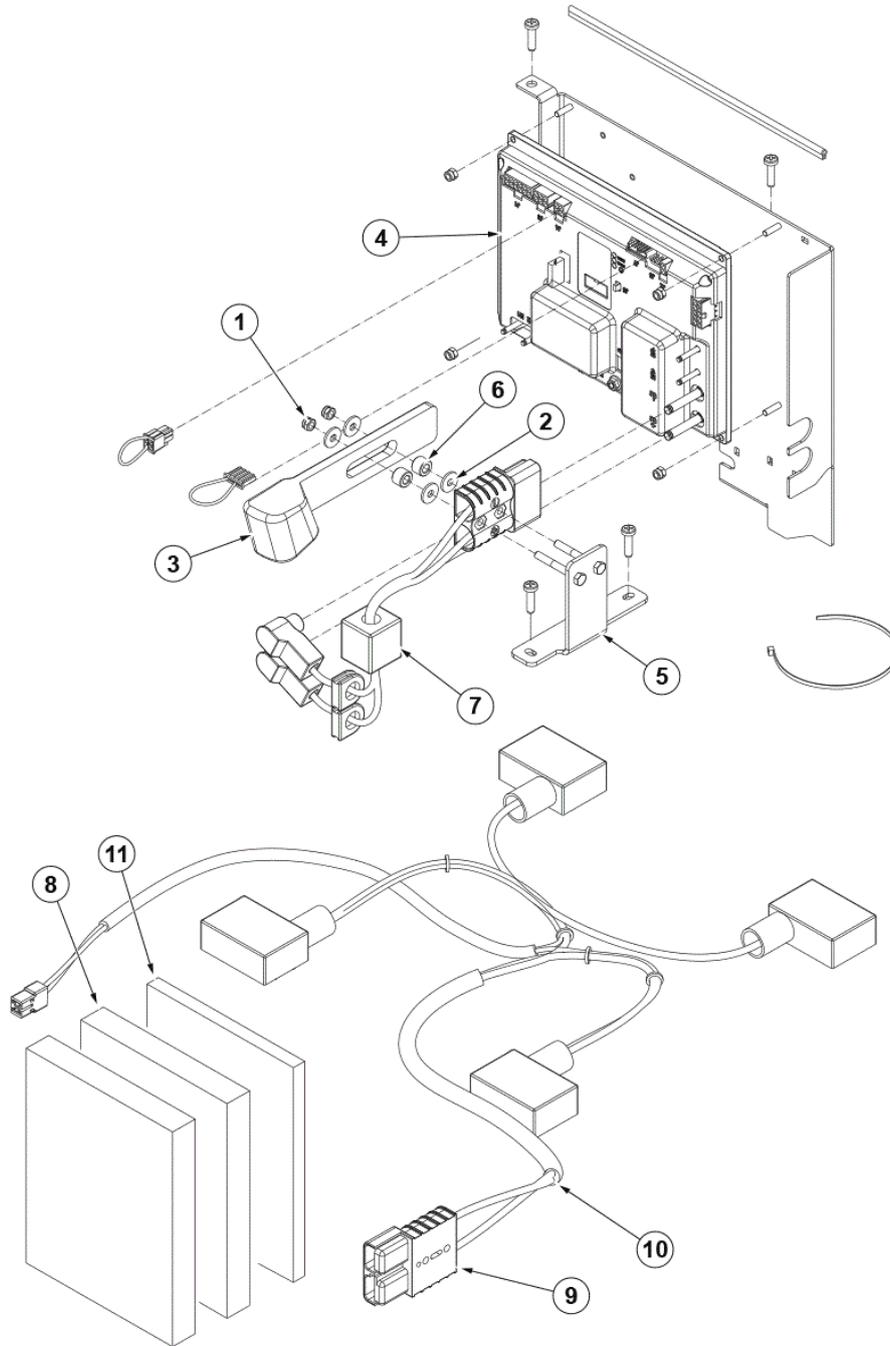
- [1] - ONLY FOR SC500
- [2] - ONLY FOR SC2000 - SCRUBTEC R253 - RA40
- [3] - OPTIONAL
- [4] - NOT SHOWN - Pos. 1-2-3-4-7-12-14-15-18-19-20-22



No.	Part No.	Qty.	Description	Part Note
1	9100000875	1	KEY 5X5X30 DIN6885 2	
5	9100001352	1	VIBRATION-DAMPING M6 60SH SIP	
7	9100001347	1	SCREW M6X20 UNI5739 SS	
18	9100000797	1	HOSES BRUSH DECK KIT	
20	9100000868	1	VIBRATION DAMPING M8	
21	9100000869	1	COVER SOLUTION HOSE	
22	9100000870	1	SOLENOID VALVE 24V PKD	
23	9100000871	1	HUB BRUSH PKD	
24	9100000872	1	PLATE BRUSH DECK HOLDER SIP	
25	9100000873	1	DECK BRUSH 530MM/21	
26	9100000874	1	REDUCTION GEARMOTOR	
27	9098376000	1	CARBON BRUSHES KIT 4 PCS	
29	9100001163	1	ARM BRUSH DECK LIFTING 4 PCS SET	
32	9100002237	1	HARNES BRUSH MOTOR SIP	
42	9100002234	1	FUSE BOLT DOWN 50A SIP	
43	9100002235	1	HOLDER FUSE SIP	
K1	909 6887 000	1	ROLLER BUMPER KIT	[1]
K2	9100001175	1	HARDWARE BRUSH DECK LIFTING ARMS KIT	[2]
K3	9100001176	1	HARDWARE BRUSH DECK KIT	[3]

Part Notes:

- [1] - NOT SHOWN - POS. 2-34-35-38-39-40
- [2] - NOT SHOWN - POS. 3-4-8-16-21
- [3] - NOT SHOWN - POS. 3-6-9-10-11-12-13-14-15-17-19-28-30-33-36-37-41



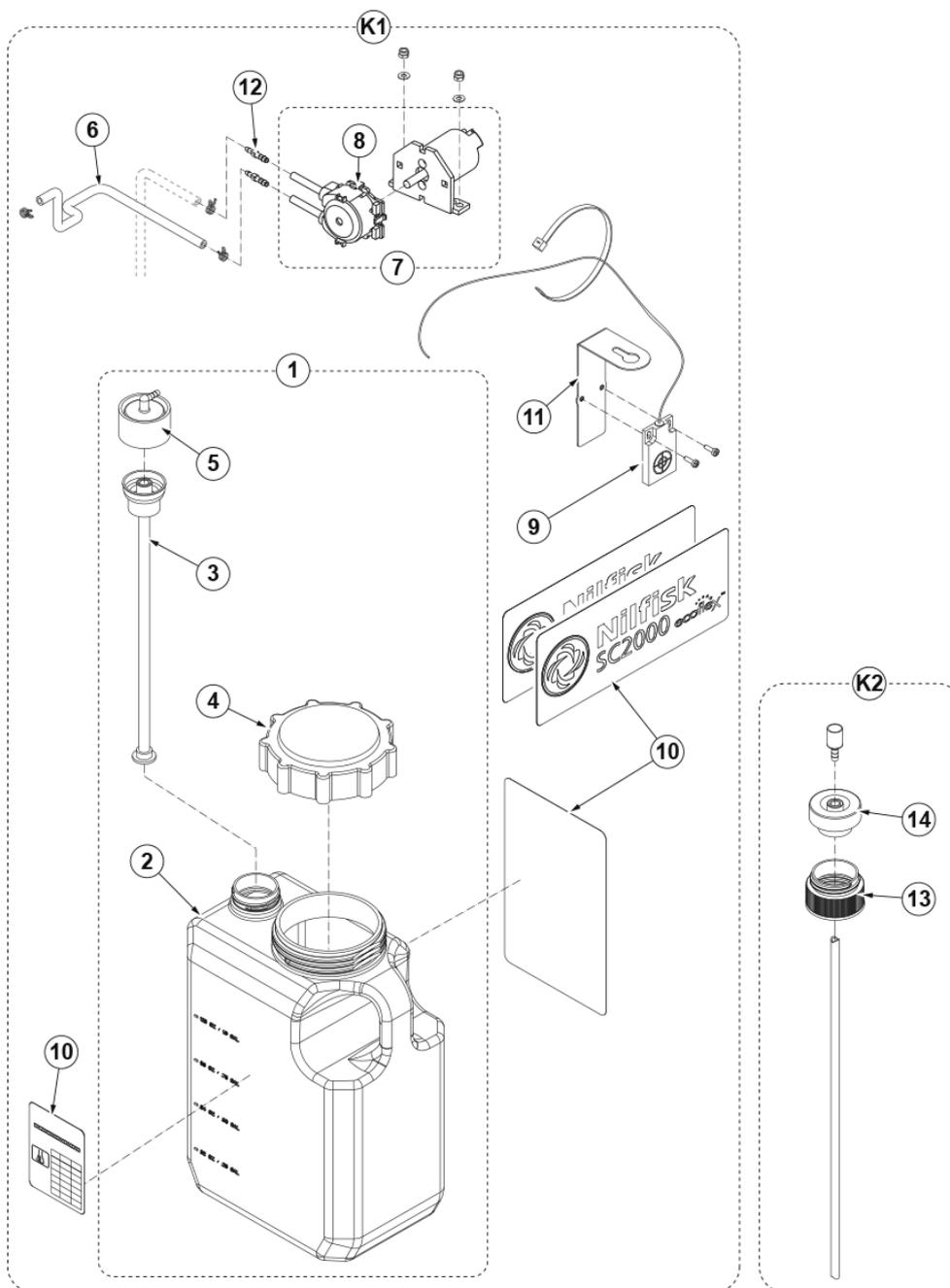
PL ELECTRICAL SYSTEM

SC2000I 53 B FULL PKG NIL

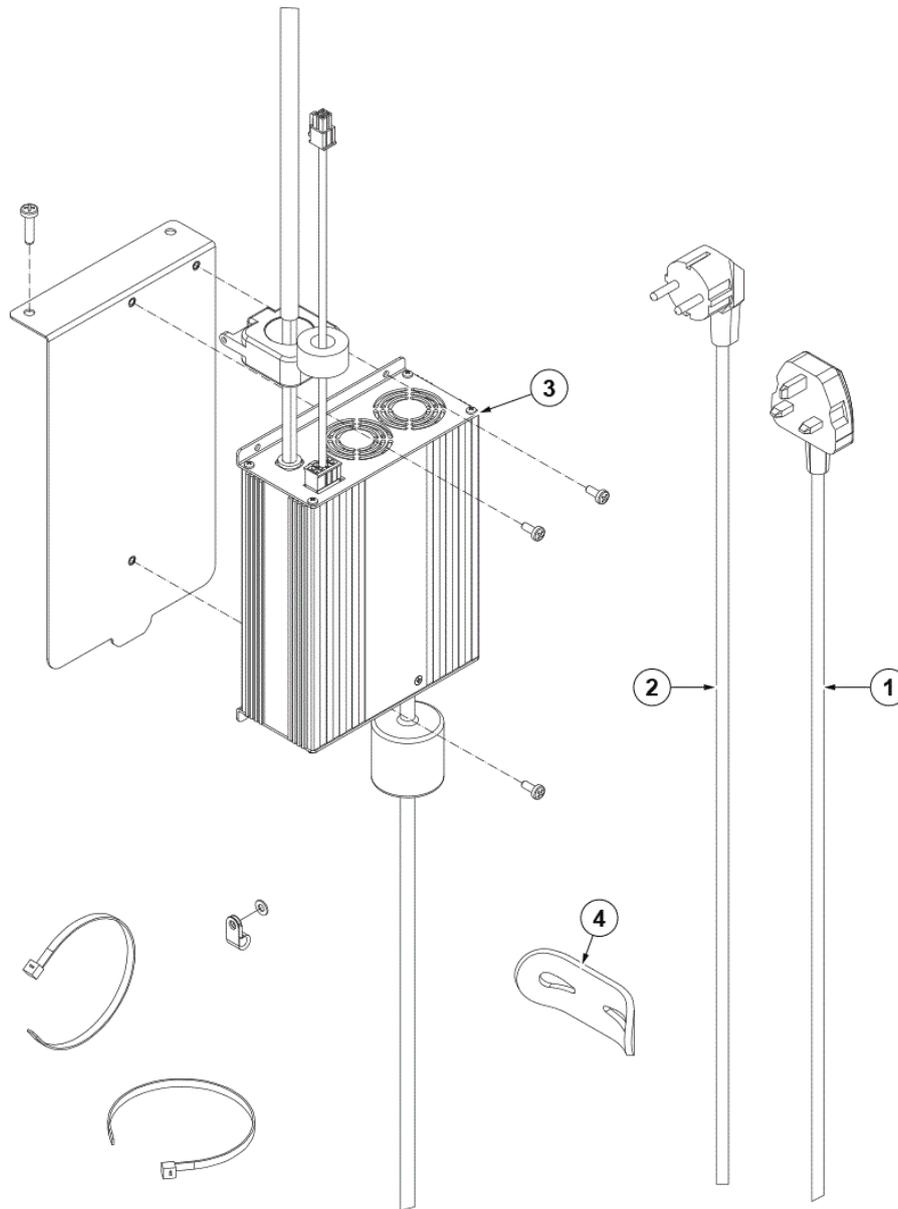
2017.11.02

2017.08.24

No.	Part No.	Qty.	Description	Part Note
4	9100002376	1	CONTROLLER MAIN MACHINE SIP	
7	9100001141	1	HARNESS ELECTRIC COMPONENTS BOX SIP	
9	9100002117	1	CONNECTOR RED 120A SIP	
10	9100001954	1	HARNESS BATTERY EU KIT	
10	9100001015	1	HARNESS BATTERY US SIP	
K1	9100001177	1	PANELS INSULATING KIT	
K2	9100001179	1	LEVER EMERGENCY KIT	



No.	Part No.	Qty.	Description	Part Note
1	56104190	1	ECOFLEX BOTTLE ASSY	
2	9100001081	1	TANK DETERGENT SOLUTION	
3	56104189	1	INSERT-DRY BRAKE	
4	9100001817	1	CAP PLASTIC F DETERGENT SOLU. TANK SIP	
5	56315523	1	CAP DRY BREAK 1/8 BARB	
6	9100000891	1	HOSE SILICONE D.4X7	
7	9100002398	1	PUMP DETERG. MIX PERISTALTIC 24V SIP	
8	9100002388	1	HEAD PERISTALTIC PUMP DETERG. SIP	
9	9100001818	1	SENSOR WATER LEVEL KIT	
10	9100001178	1	DECALS NILFISK SC2000 ECOFLEX KIT	
10	9100002409	1	DECALS ADVANCE SC2000 KIT	
11	9100001820	1	SUPPORT F WATER LEVEL SENSOR KIT	
12	9100002402	1	BARB HOSE STRAIGHT D.5-D.4 2 PCS SET	
K1	9100002389	1	ECOFLEX DETERGENT KIT	
13	9097023000	1	ADAPTER CHEMICAL TANK	
14	9097022000	1	SENSOR LEVEL F DETERGENT SOLUTION	
K2	9098025000	1	ADAPTER DETERGENT SOLUTION KIT	



PL BATTERY CHARGER

SC2000I 53 B FULL PKG NIL

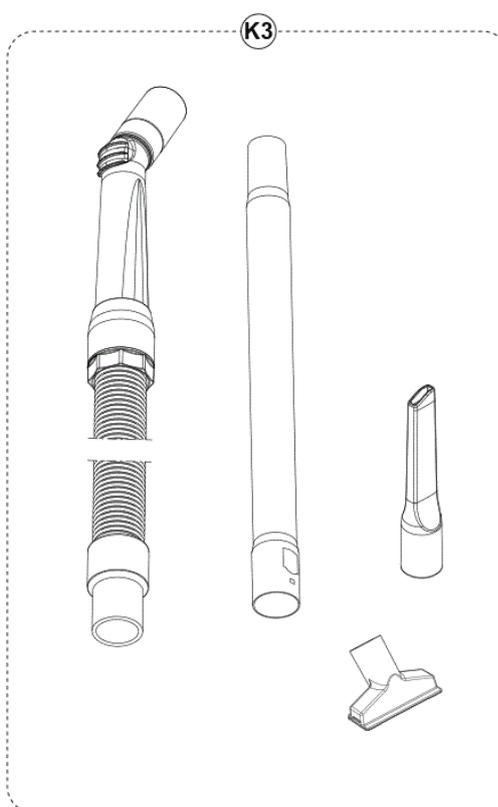
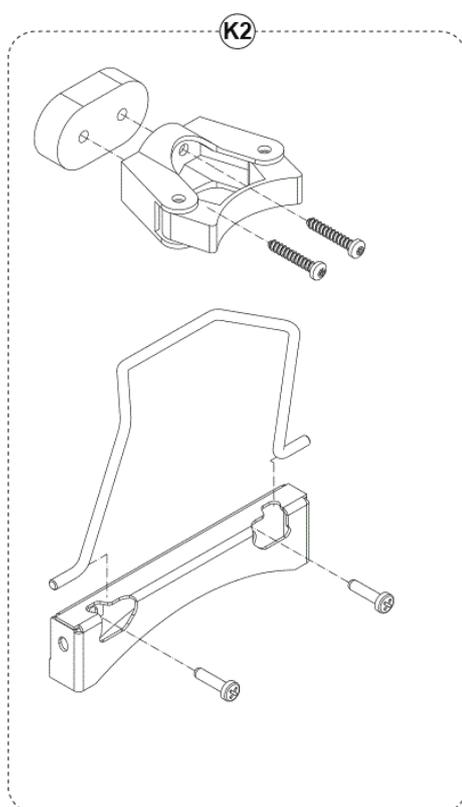
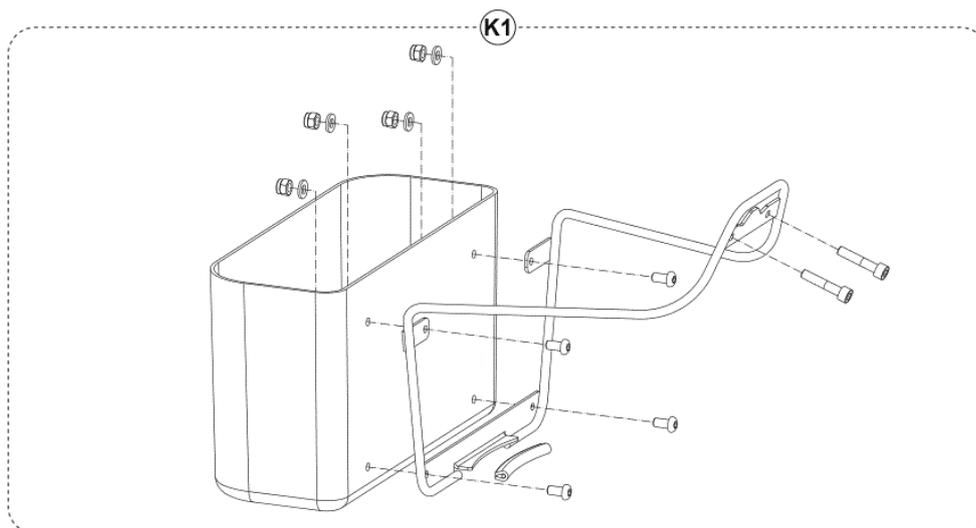
2017.11.02

2017.08.04

No.	Part No.	Qty.	Description	Part Note
1	1466318000	1	CABLE EXTENSION UK PLUG	[1]
2	9100000787	1	CABLE EXTENSION EU PLUG	[1]
2	9100000890	1	CABLE EXTENSION US PLUG L.2000MM SIP	[2]
3	9100001145	1	CHARGER BATT. O/B 24V	[3]
4	9100000829	1	BAND ELASTIC F	
K1	9100000940	1	CHARGER BATT. O/B 24V	[4]
K2	9100001715	1	CHARGER BATT.O/B JP 24V 13A 100-240V KIT	[5]

Part Notes:

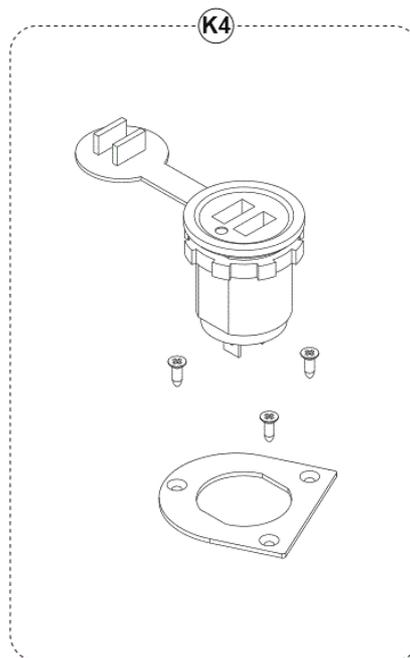
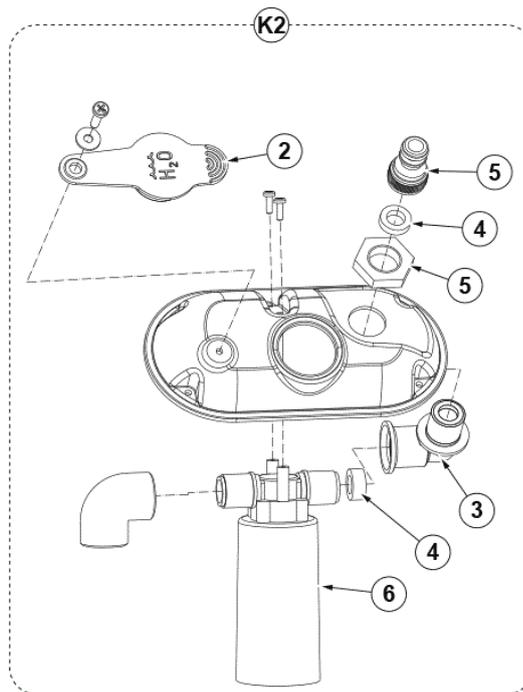
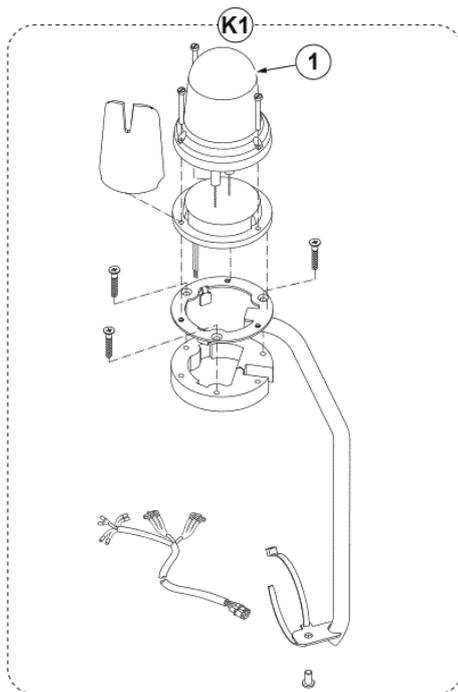
- [1] - ONLY FOR EU VERSION
- [2] - ONLY FOR US VERSION
- [3] - SEE TSB-FC-2016-010
- [4] - NOT SHOWN -EU VERSION - OPTIONAL - POS. 1-2-3-4 - SEE INST. INSTR. 9100001068
- [5] - NOT SHOWN - JP VERSION - OPTIONAL - POS. 1-2-3-4 -SEE INST. INSTR. 9100001717



No.	Part No.	Qty.	Description	Part Note
1	9100000697	1	BASKET KIT	[1]
2	9100000688	1	MOP KIT	[2]
3	9100002205	1	DRAINING HAND TOOL	[3]

Part Notes:

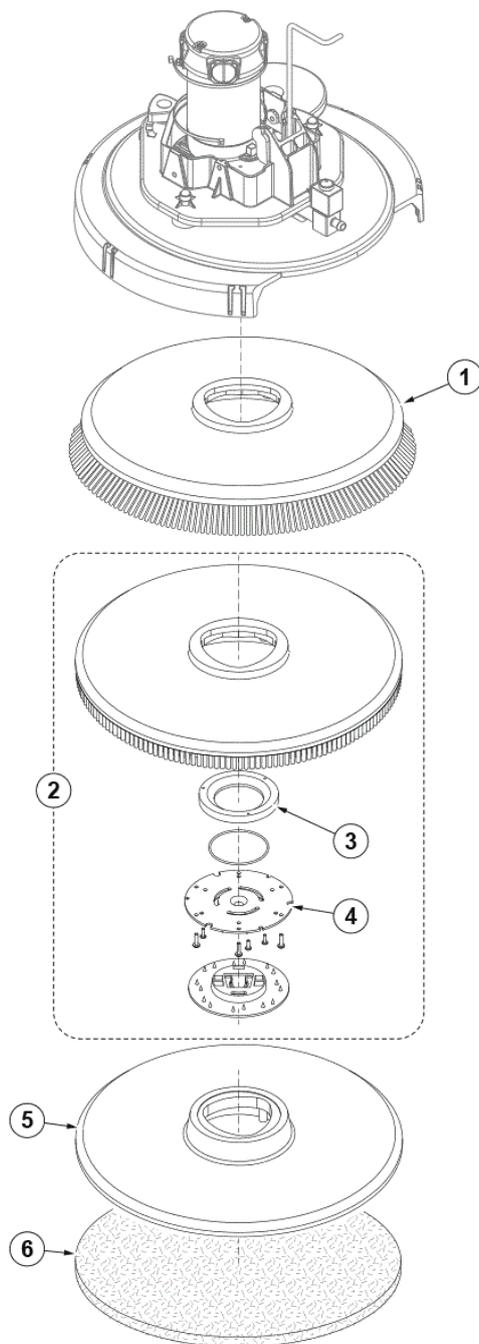
- [1] - OPTIONAL - SEE INST. INTR. 9100001067
- [2] - OPTIONAL - SEE INST. INSTR. 9100000985
- [3] - OPTIONAL



No.	Part No.	Qty.	Description	Part Note
K1	910000663	1	BEACON FLASHING KIT	[1]
1	33023155	1	BEACON FLASHING SIP	
K2	910000707	1	AUTOMATIC WATER FILLING	[2]
2	910000808	1	RUBBER SOLUTION CAP SIP	
3	910000894	1	ELBOW CURVED M/F PKD	
4	910000622	2	GASKET RUBBER D.11.5X19X5 BLACK SIP	
5	9099675000	1	FITTING QUICK KIT	
6	910000897	1	VALVE WATER STOP SIP	
K3	9100001441	1	SPLASH GUARD CPL F	
K4	9100002238	1	USB PORT KIT SC2000	[3]

Part Notes:

- [1] - OPTIONAL - SEE INST. INSTR. 910000982
- [2] - OPTIONAL - SEE INST. INSTR. 910000984
- [3] - OPTIONAL - SEE INST. INSTR. 910000983



No.	Part No.	Qty.	Description	Part Note
1	L08837025	1	BRUSH PROLENE MEDIUM	[1]
1	L08837026	1	BRUSH PROLITE SOFT	[1]
1	L08837027	1	BRUSH UNION MIX 530MM	[1]
1	L08837028	1	BRUSH MIDLITE GRIT 180	[1]
1	L08837029	1	BRUSH MIDGRIT 240 MEDIUM	[1]
1	L08837065	1	BRUSH MAGNA GRIT 46	[1]
1	L08837066	1	BRUSH DYNA GRIT 80	[1]
1	L08837067	1	AGLITE GRIT 500 BRUSH	[1]
2	L08837018	1	PAD HOLDER SHORT TRIM 530	[1]
3	L08603966	1	RING NYLON	
4	56505195	1	PAD RETAINER	
5	9099671000	1	PAD HOLDER 21 530MM	[1]
6	10001955	1	PAD 20 508MM ECO BLACK	[1]
6	10001956	1	PAD 20 508MM ECO BLUE	[1]
6	10001957	1	PAD 20 508MM ECO BROWN	[1]
6	10001958	1	PAD 20 508MM ECO GREEN	[1]
6	10001959	1	PAD 20 508MM ECO RED	[1]
6	10001960	1	PAD 20 508MM ECO WHITE	[1]
6	10002348	1	PAD 20 508MM ECO	[1]
6	10002349	1	PAD 20 508MM ECO	[1]
6	10002350	1	PAD 20 508MM ECO	[1]
6	10002351	1	PAD 20 508MM ECO	[1]

Part Notes:

[1] - OPTIONAL

No.	Part No.	Qty.	Description	Part Note
BE	9100000663		BEACON FLASHING KIT	
BRK	9100001199		BRAKE ELECTR. RELEASED	
CH	9100001145		CHARGER BATT. O/B 24V	
EB1#	9100002376		CONTROLLER MAIN MACHINE SIP	
EB2#	9100002373		CONTROLLER DISPLAY SIP	
EB3	9100001123		DASHBOARD CONTROL PANEL	
EV1	9100000870		SOLENOID VALVE 24V PKD	
F1	9100000877		FUSE MIDIFUSE 100A SIP	
F2	9100000878		FUSE BLADE 3A SIP	
F3#	9100002234		FUSE BOLT DOWN 50A SIP	
F4#	9100002234		FUSE BOLT DOWN 50A SIP	
IB#	56116477		IBUTTON-PROBE	
M1	9100000874		REDUCTION GEARMOTOR	
M2	9100001144		MOTOR VACUUM 24V 310W SIP	
M3	9100001200		MOTOR ELECTRIC 400W 24V	
M4#	9100002398		PUMP DETERG. MIX PERISTALTIC 24V SIP	
M5	9100001131		ACTUATOR 24V DC STROKE	[1]
M6	9100001133		ACTUATOR 24V DC STROKE	
POT	9100001140		THROTTLE ELECTRONIC SIP	
S1#	9100001818		SENSOR WATER LEVEL KIT	
SW3	9100001130		CUSHION SEAT ADHESIVE KIT	
SW4	9100001183		MICROSWITCH KIT	
USB	9100002238		USB PORT KIT SC2000	

Part Notes:

- [1] - TSB-FC-2016-007- SC2000 Actuators check
DE TSB-FC-2016-007 SC2000 Scrubtec R2 Stellantrieb und Hauptsteuerung

PL RECOMMENDED PARTS

SC2000I 53 B FULL PKG NIL

2017.11.02

2017.08.25

No.	Part No.	Qty.	Description	Part Note
NW	9100001511	1	COVER RECOVERY TANK KIT	
NW	9100000810	1	BLADE SQUEEGEE 740MM 29	
NW	9100000490	1	BLADE SQUEEGEE 730MM 29	
NW	9100000060	1	BLADE SQUEEGEE 730MM 29	
NW	L08837025	1	BRUSH PROLENE MEDIUM	
OM	9100000803	1	VALVE ELBOW PKD	
OM	9100000574	1	BARB HOSE STRAIGHT	
OM	1465355000	1	CAP SOLUTION TANK KIT	
OM	9100001353	1	FILTER SOLUTION TANK PKD	
OM	9100001578	1	HOSE FRESH WATER LEVEL	
OM	9100001139	2	GASKET RUBBER	
OM	9100000817	1	BALL FLOATING SIP	
OM	9097587000	1	CAGE FLOAT	
OM	9100000928	1	GASKET FLOAT SUPPORT PKD	
OM	9100001106	1	HOSE SUCTION SQUE. 90	
OM	9100001113	1	HOSE DRAIN 90 BLACK	
OM	9100001144	1	MOTOR VACUUM 24V 310W SIP	
OM	56116518	1	SMART KEY-USER	
OM	56116519	1	SMART KEY-SUPERVISOR	
OM	56116477	1	IBUTTON-PROBE	
OM	1464432000	1	BRUSH CARBON KIT 4PCS	
OM	9100002334	1	WHEEL D.200X76	
OM	9100000860	1	FILTER WATER PKD	
OM	9100000861	1	NET WATER FILTER	
OM	9100000862	1	KNOB LOBES M8 FEMALE SIP	
OM	9100000791	2	KNOB M8X30 THD STUD SS	
OM	9100000559	3	WHEEL D.51 GREY PKD	
OM	9100000864	1	STRAP ELASTIC F REAR	
OM	9100000865	1	STRAP FRONT SQUEEGEE	
OM	9100001816	1	WHEEL BUMPER D.100	
OM	9100000748	1	HARDWARE SQUEEGEE KIT	
OM	9100000870	1	SOLENOID VALVE 24V PKD	
OM	9100000871	1	HUB BRUSH PKD	
OM	9098376000	1	CARBON BRUSHES KIT 4 PCS	
OM	L08812204	1	BUMPER ROLLER	
OM	9100000891	1	HOSE SILICONE D.4X7	
OM	9100002398	1	PUMP DETERG. MIX PERISTALTIC 24V SIP	
EOM	9100001130	1	CUSHION SEAT ADHESIVE KIT	
EOM	9100001091	1	TRAY DEBRIS SIP	
EOM	9100001092	1	COVER TRAY DEBRIS SIP	
EOM	9100001105	1	CARD ELECTRONIC KEY SIP	
EOM	9100001180	1	THROTTLE KIT	
EOM	9100001168	1	SPRING ZERO SETTING	
EOM	9100001162	1	WHEEL D.254X80	
EOM	9100001200	1	MOTOR ELECTRIC 400W 24V	
EOM	9100001734	1	SUPPORT BALL BEARING	
EOM	1467639000	1	BEARING TAPER ROLLER	
EOM	9100001160	1	SCREW SHOUL 10X16 M8	
EOM	9100001101	1	PIN WHEEL SIP	
EOM	9100001350	1	SCREW GRUB M5X10	
EOM	9100001093	1	BEARING NEEDLE ROLLER	
EOM	9100001449	1	HARDWARE STEERING	
EOM	9100002373	1	CONTROLLER DISPLAY SIP	
EOM	9100001123	1	DASHBOARD CONTROL PANEL	
EOM	9100001174	1	HOSES SOLUTION KIT	
EOM	9100001131	1	ACTUATOR 24V DC STROKE	
EOM	9100001133	1	ACTUATOR 24V DC STROKE	
EOM	9100001173	1	HARDWARE ACTUATOR KIT	

PL RECOMMENDED PARTS

SC2000I 53 B FULL PKG NIL

2017.11.02

2017.08.25

No.	Part No.	Qty.	Description	Part Note
EOM	9100000797	1	HOSES BRUSH DECK KIT	
EOM	9100000868	1	VIBRATION DAMPING M8	
EOM	9100000874	1	REDUCTION GEARMOTOR	
EOM	909 6887 000	1	ROLLER BUMPER KIT	
EOM	9100002376	1	CONTROLLER MAIN MACHINE SIP	
EOM	9100002117	1	CONNECTOR RED 120A SIP	
EOM	9100001179	1	LEVER EMERGENCY KIT	
EOM	9100001145	1	CHARGER BATT. 0/B 24V	
EOM	9100001081	1	TANK DETERGENT SOLUTION	
EOM	56104189	1	INSERT-DRY BRAKE	
EOM	9100001817	1	CAP PLASTIC F DETERGENT SOLU. TANK SIP	
EOM	56315523	1	CAP DRY BREAK 1/8 BARB	
EOM	9100001818	1	SENSOR WATER LEVEL KIT	
EOM	56315523	1	CAP DRY BREAK 1/8 BARB	
EOM	9100000891	1	HOSE SILICONE D.4X7	
EOM	9098025000	1	ADAPTER DETERGENT SOLUTION KIT	

