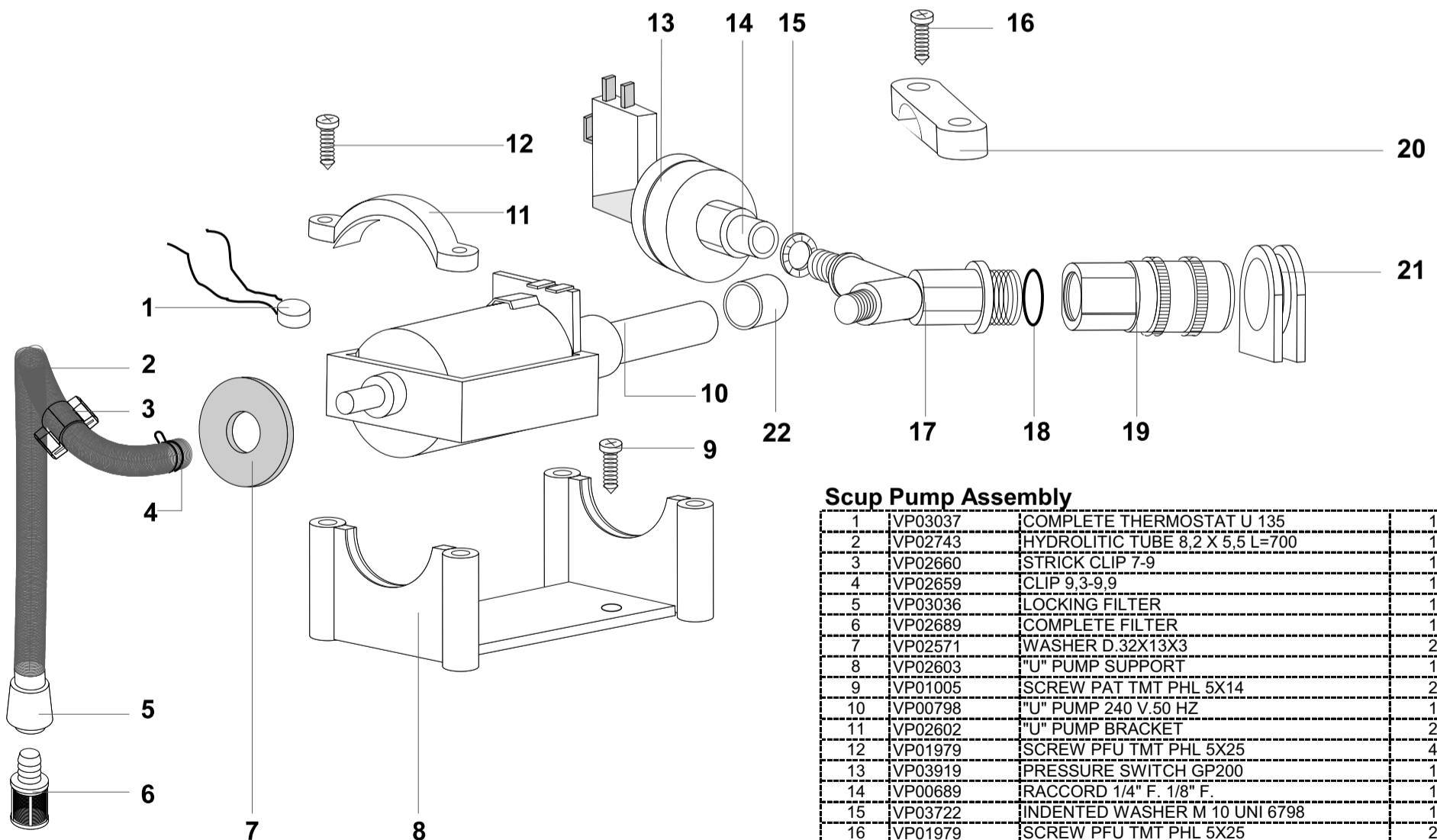


Head

Assembly Part No: 2691P

POS	PART NUMBER	DESCRIPTION	#
1	VP00466 AUS	ELECTRIC CORD 3X1 (AUS)	1
2	VP00138	FAIRLEAD	1
3	VP00139	LOCKLEAD	1
4	VP01006	SCREW PFU TMT PHL 5X20	2
5	VP00140	TERMINAL BOARD 3 POLES	1
6	VP02589	HOOK 99	1
7	VP01026	SCREW PAT TMT PHL 5X30	4
8	VP02588	HANDLE 99	1
9	VP01050	SCREW PAT TMT PHL 5X35	2
10	VP01050	SCREW PAT TMT PHL 5X35	2
11	VP02631	COVER JOB/LAVA	1
12	VP00484	ANTISPLASH SWITCH	1
13	VP00756	GREEN LIGHT SWITCH	1
14	VP01006	SCREW PFU TMT PHL 5X20	4
15	VP03937	FILTER MTP/65 H=15 D.95	1
16	VP01050	SCREW PAT TMT PHL 5X35	6
17	VP02633	COVERING JOB/LAVA	1
18	VP03969	WASHER H8 D85X65	1
19	VP02627	SCREW PAT TMT PHL 5X40	6
20	VP00310	PLASTIC RING FOR MOTOR 1200 W.	1
21	VP01006	SCREW PFU TMT PHL 5X20	4
22	VP02634	MOTORFASTENER JOB/LAVA	1
23	VP03901	"L" GASKET WO/H H=5,5	1
24	VP03973 S	MOTOR BD302 1000W 250 50/60	1
25	VP03901	"L" GASKET WO/H H=5,5	1
26	VP03866	WASHER MTP 65MM 18D 230X145	1
27	VP02636	BASE JOB/LAVA	1
28	VP03189	SCREW M 5X30	1
*	VP01102	CONNECTING WIRES	1
*	VP01101	CONNECTING WIRES	5
*	VP01106	CLIP	3



Scup Pump Assembly

1	VP03037	COMPLETE THERMOSTAT U 135	1
2	VP02743	HYDROLITIC TUBE 8,2 X 5,5 L=700	1
3	VP02660	STRICK CLIP 7-9	1
4	VP02659	CLIP 9,3-9,9	1
5	VP03036	LOCKING FILTER	1
6	VP02689	COMPLETE FILTER	1
7	VP02571	WASHER D.32X13X3	2
8	VP02603	"U" PUMP SUPPORT	1
9	VP01005	SCREW PAT TMT PHL 5X14	2
10	VP00798	"U" PUMP 240 V.50 HZ	1
11	VP02602	"U" PUMP BRACKET	2
12	VP01979	SCREW PFU TMT PHL 5X25	4
13	VP03919	PRESSURE SWITCH GP200	1
14	VP00689	RACCORD 1/4" F. 1/8" F.	1
15	VP03722	INDENTED WASHER M 10 UNI 6798	1
16	VP01979	SCREW PFU TMT PHL 5X25	2
17	VP03096	PLAST."Y" COUPLING 2 WAYS	1
18	VP01610	O RING 9	1
19	VP03689/OTT	QUICK SOCKET	1
20	VP02604	FIXING BOLT	1
21	VP06082	GUIDING SLIT LAVA	1
22	VP06118	METAL BUSH 16X12	1
*	VP03128	CONNECTING WIRES W/RING D.10	1