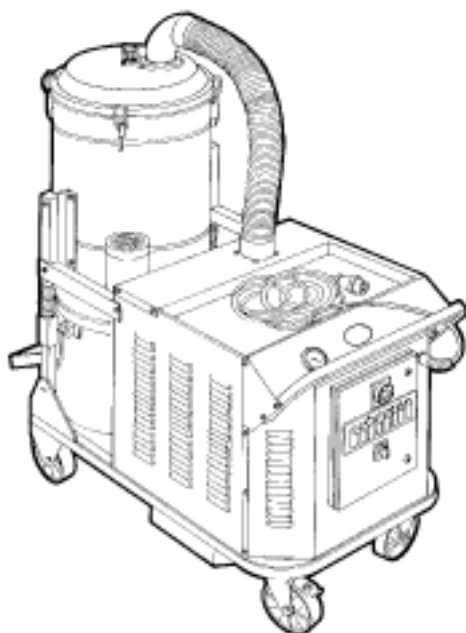


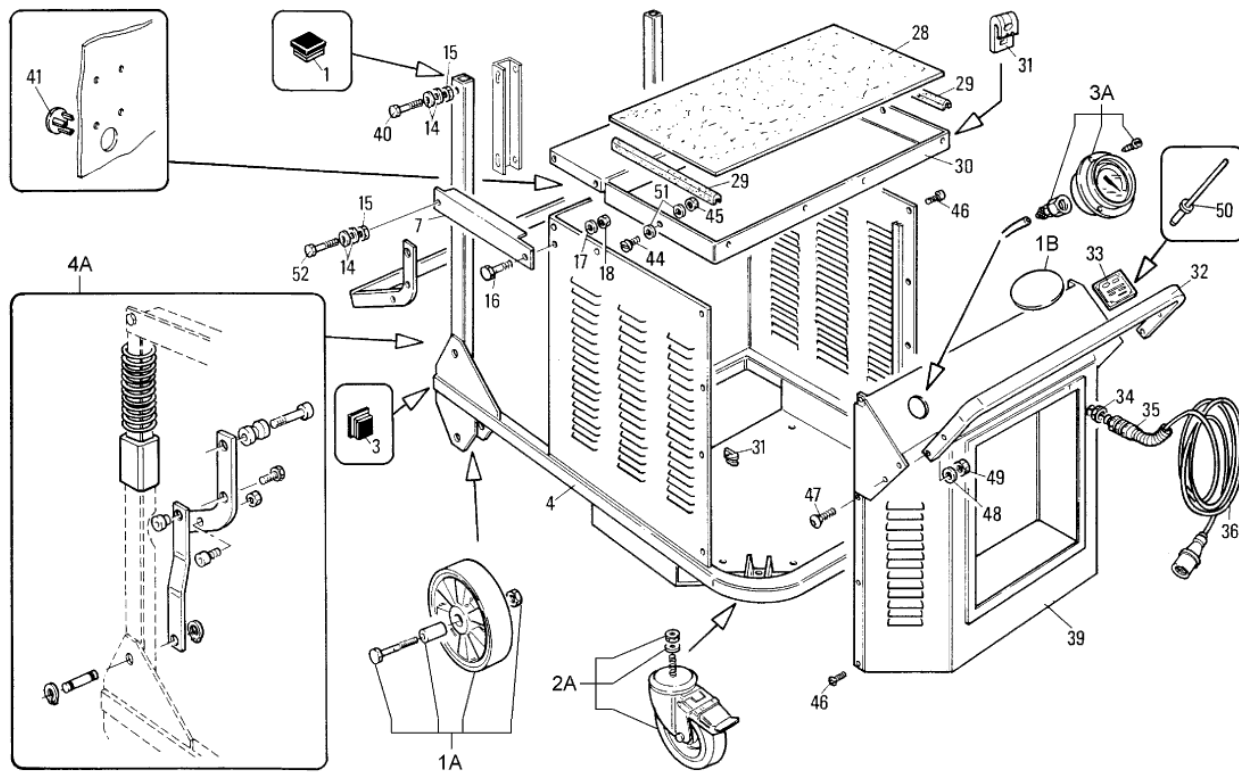
PARTS LIST



2018.02.07

TABLE OF CONTENTS

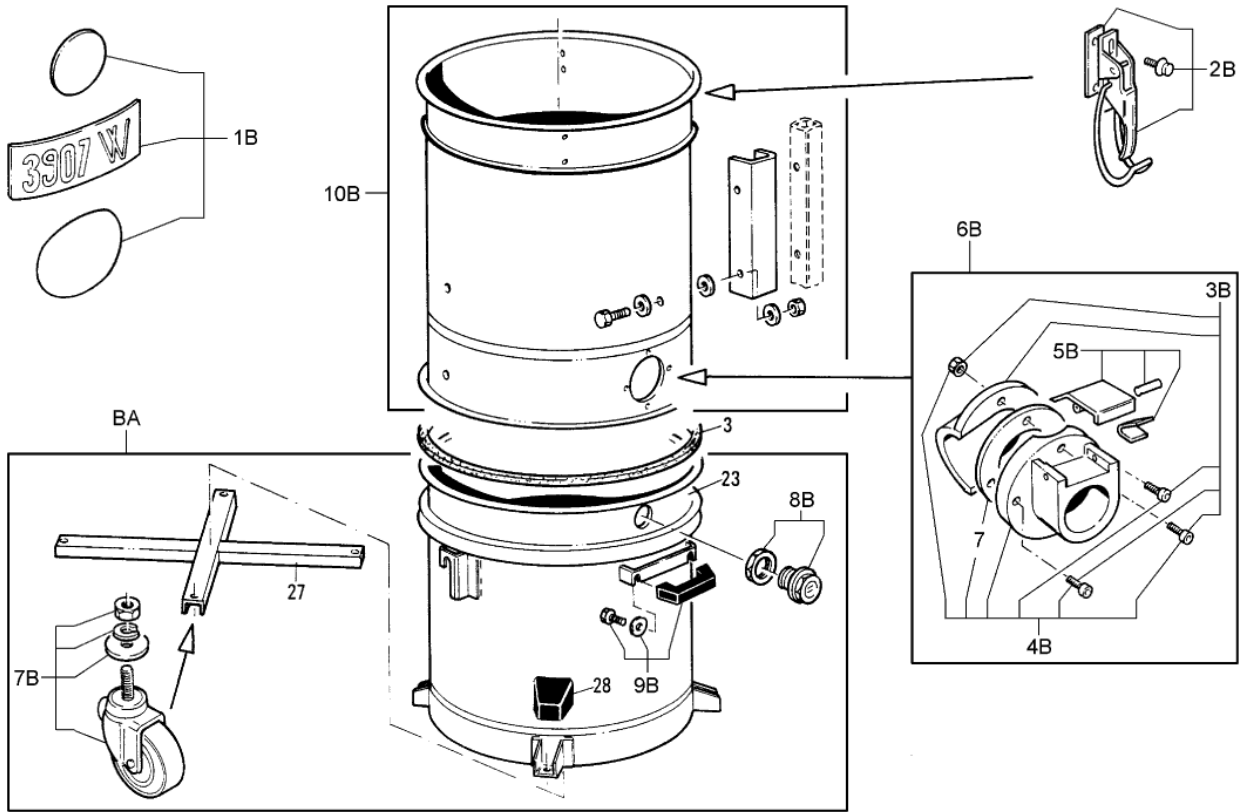
Frame 3907 W	1
Container 3907 W	3
Filter 3907 W	5
Cover 3907 W	7
Suction unit 3907 W	9
Electric board 3907 W	11
Control panel	13



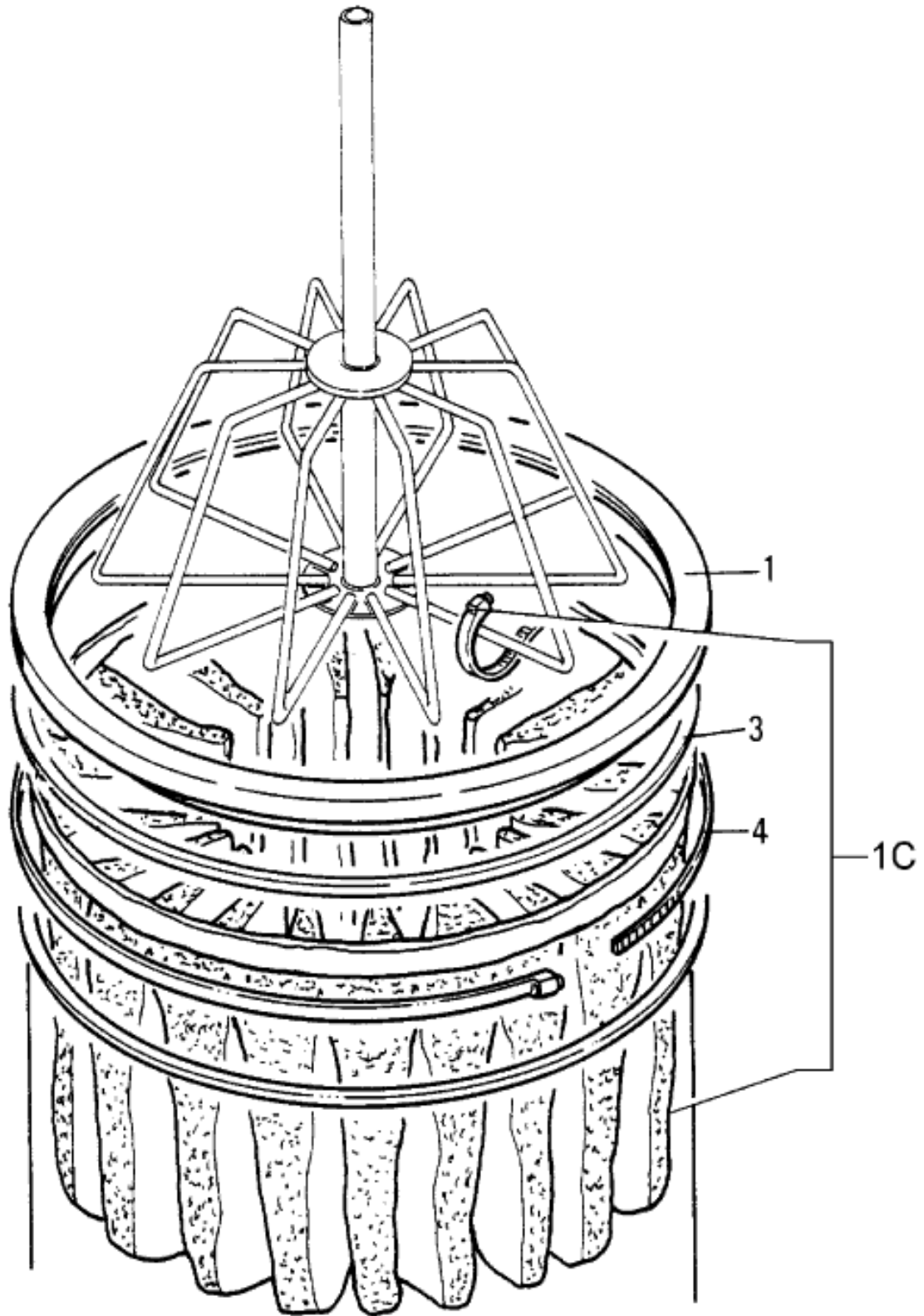
No.	Part No.	Qty.	Description	Part Note
01	Z8 40035	2	SQUARE PLUG 40 x 40 PVC	
01A	40000574	1	KIT FIX CASTOR D200	
02A	40000575	1	KIT REVOLV. CASTOR D200	
03	Z8 40036	2	SQUARE PLUG 50 x 50 PVC	
03A	40000554	1	KIT VACUUM GAUGE 4500	
04	Z8 36063	1	CAR MODEL 3707 FE	[1]
04A	40000576	1	KIT RELEASE LEVER	
07	Z8 18157	2	SPACER 3707	[1]
14	ZBRO10ZB	8		[2]
15	ZBDN10ZB	4		[3]
16	ZBVTE1025ZB	2		[4]
17	ZBRO1030ZB	2		[5]
18	ZBDAB10ZB	2		[6]
28	Z8 17105	1	ACCESSORIES BELT MOD.3707	
29	40000766	1	SEAL	
30	Z8 16056	1	ACCESSORIES TANK M.3707	
31	Z8 40037	20	FASTENER FOR SELF-THREADING.D6	
32	Z8 18147	1	HANDLE MOD.3707/3907	[1]
33	Z8 17015	1	3-PHASE PLATE ALUMINIUM	
34	Z8 39569	1	METAL RING NUT PG21	
35	Z8 39099	1	CABLE GLAND PG21 PA SPRING	
36	Z8 39122	1	CABLE SUP. 4G6 NE. SP32 9M MOD.3907	
39	Z8 35083	1	MOBILE CARTER 3707 IP55	
40	ZBVTE1055ZB	2		[7]
41	Z8 39532	1	HOLE COVER PANEL E.B.HEAD	
44	ZBVTBC0616ZB	4		[8]
45	ZBDAB06ZB	4		[9]
46	ZBVATBC0616ZB	20		[10]
47	ZBVTCCCE0845ZB	4		[11]
48	ZBRO0824ZB	4		[12]
49	ZBDAB08ZB	1		[13]
50	ZBRI0307A	1		[14]
51	ZBROD06ZB	1		[15]
52	ZBVTE1060ZB	1		[16]

Part Notes:

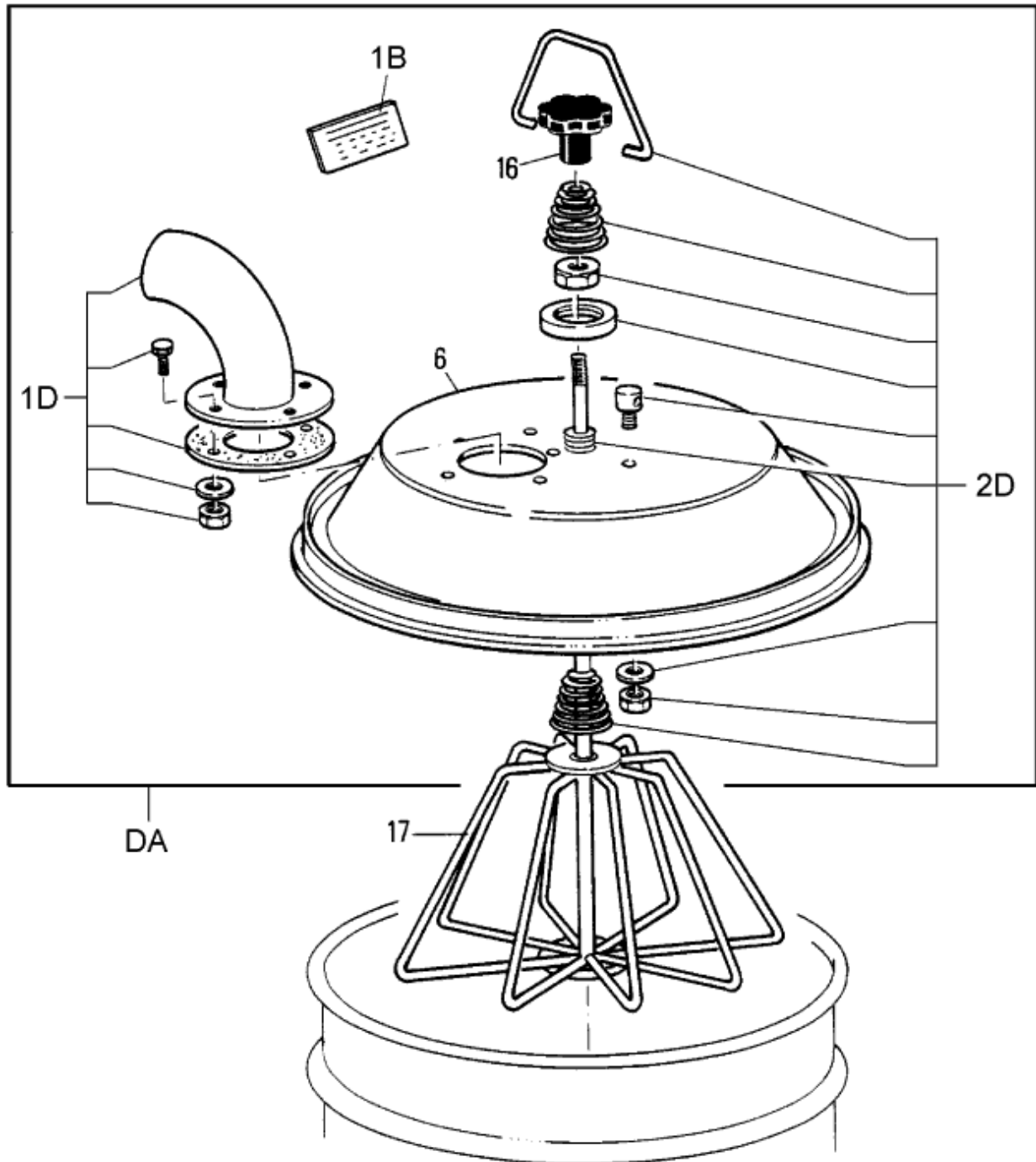
- [1] - CONTACT PM IN ZOCCA
- [2] - ZBRO10ZB
- [3] - ZBDN10ZB
- [4] - ZBVTE1025ZB
- [5] - ZBRO1030ZB
- [6] - ZBDAB10ZB
- [7] - ZBVTE1055ZB
- [8] - ZBVTBC0616ZB
- [9] - ZBDAB06ZB
- [10] - ZBVATBC0616ZB
- [11] - ZBVTCCCE0845ZB
- [12] - ZBRO0824ZB
- [13] - ZBDAB08ZB
- [14] - ZBRI0307A
- [15] - ZBROD06ZB
- [16] - ZBVTE1060ZB



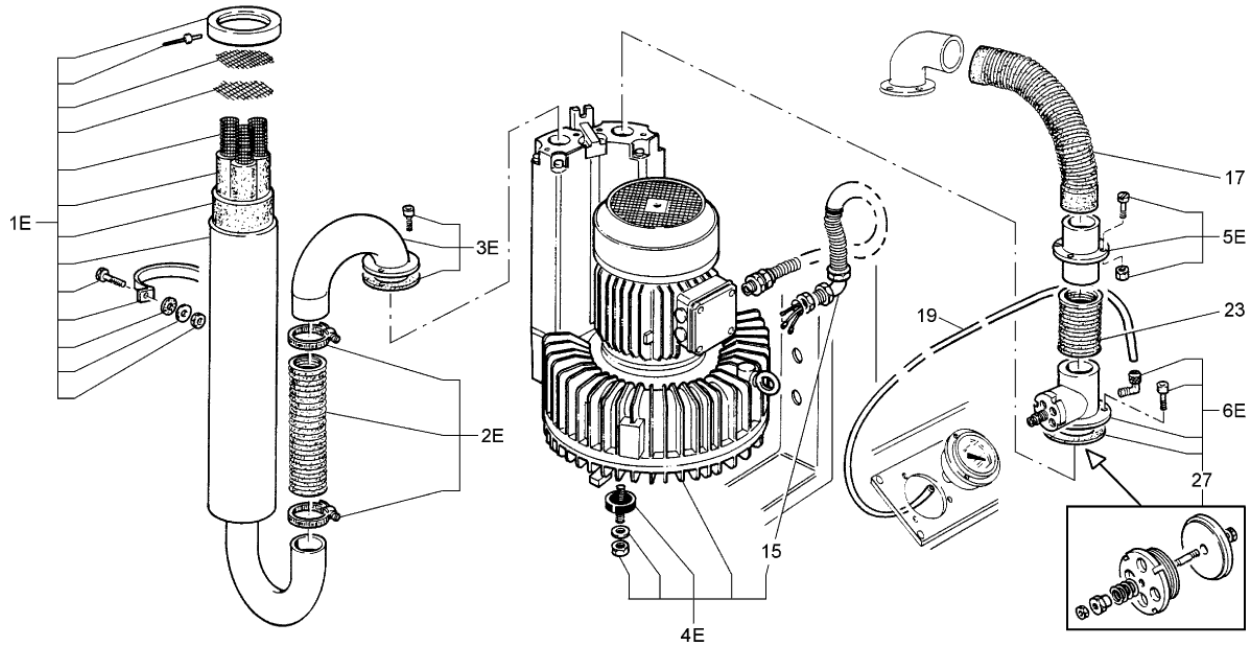
No.	Part No.	Qty.	Description	Part Note
01B	40000608	1	KIT LABELS	
02B	40000321	1	KIT CAP LOCK FE	
03B	40000582	1	KIT DEFLECTOR D100	
04B	40000581	1	KIT INLET D100	
04B	4089100930	1	KIT INLET D100 FOR ATEX COMPLETE	
05B	40000345	1	KIT PUSHBUTTON FOR	
06B	40000583	1	KIT COMPLETE INLET D100	
07	Z8 17056	1	GASKET FOR INLET 100MM	
07B	40000577	1	KIT WHEELS FOR CONTAINER	
08B	40000579	1	LEVEL GAUGE KIT	
09B	40000339	1	KIT HANDLE FE	
10B	40000578	1	KIT FILTER CHAMBER D560	
23	Z8 30025	1	CONTAINER D560x700 LT175	
27	Z8 36109	1	CONTAINER REINFORCEMENT D	
28	Z8 17021	4	BUMPER WHEEL HOLDER	
BA	Z8 30090	1	CONTAINER COMPLETE	



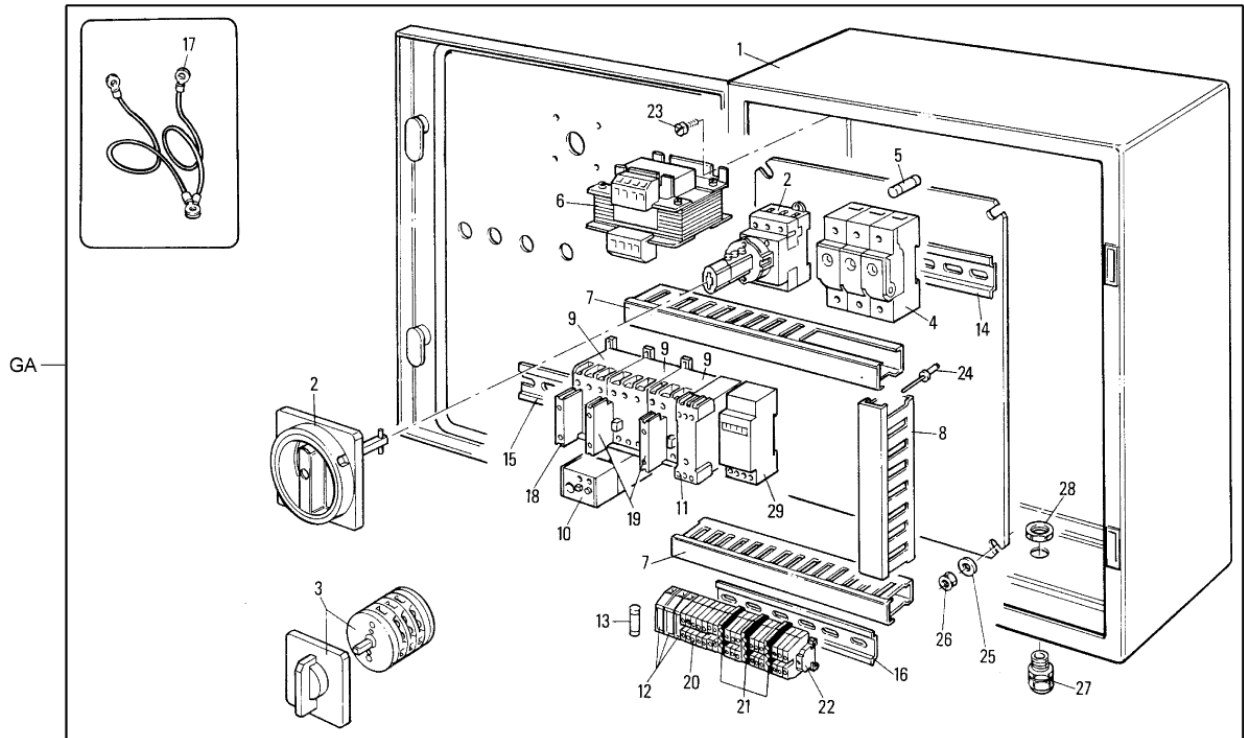
No.	Part No.	Qty.	Description	Part Note
01	Z8 17027	1	FILTER SEAL D560 BLACK	
01C	40000584	1	KIT STAR FILTER D560	
03	Z8 15005	1	FILTER HOLDER RING D560	
04	Z8 18081	1	FILTER BLOCK TIE D560	
04	4081801388	1	FILTER BLOCK TIE D560	



No.	Part No.	Qty.	Description	Part Note
01D	40000585	1	KIT CAP COUPLING D100	
02D	40000313	1	KIT FILTER SHAKER FE	
06	Z8 31229	1	CAP D560 FE HOLE D100	
16	Z8 40027	1	KNOB	
17	Z8 33073	1	STAR CAGE D560 FE	
DA	Z8 31230	1	CAP D560 FE COMPL. D100	



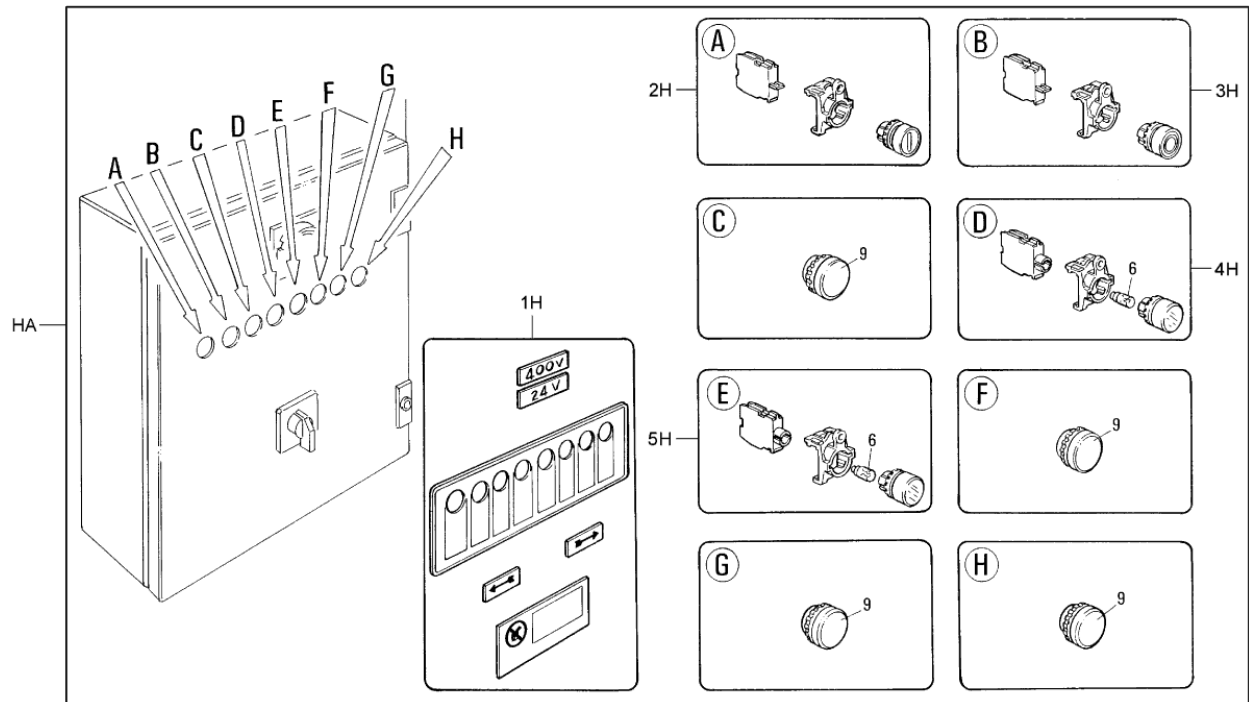
No.	Part No.	Qty.	Description	Part Note
01E	40000609	1	kit silencer D150	
02E	40000612	1	KIT BLOWING TUBE	
03E	40000611	1	KIT BLOWING CONNECTION D100	
04E	40000610	1	SUCTION UNIT KIT	
05E	40000602	1	D100-100 MOBILE CONNECTION FITTING KIT	
06E	40000601	1	KIT SUCTION CONNECTION	
15	Z8 39127	1	CABLE CONN.MOT. 7G4 FROR	
17	Z8 13156	1	EXTERNAL CONNECTION PIPE	
19	40000768	1	TUBE	
23	40000773	1	RUBBER TUBE D100	
27	Z8 34025	1	RELIEF VALVE 3	



No.	Part No.	Qty.	Description	Part Note
00	Z8 41228	1	E.B. KW13 S/T	[1]
01	Z8 39701	1	CASE 400x500x200 IP65 DRILLED DRW.	
02	Z8 39556	1	MAIN SWITCH 32 A IP65 S	
03	Z8 39557	1	REVERSER COMP. 32 A IP65 BRM	
04	Z8 39106	1	FUSE HOLDER 63A 3P D02	
05	Z8 39362	3	FUSE 50A D02	
06	Z8 39104	1	TRANSFORMER 63VA 400/24V	
09	z8 39102	3	CONTACTOR KW11 24VAC	[2]
10	Z8 39103	1	THERMAL 11-16 A SIRIUS S0	[2]
11	Z8 39119	1	TIMER S/T 0-60 SEC.	
12	z8 39244	3	FUSE HOLDER CLAMP	
13	Z8 39539	3	FUSE 2A 5x20 GLASS RAPID	
17	Z8 39590	1	KIT EARTH CABLE 3707/3907	[1]
18	Z8 39366	1	CONTACT AUX CONTACTOR NO SIRIUS S2-S12	[2]
19	Z8 39367	2	CONTACT AUX CONTACTOR	[2]
20	z8 39120	15	TERMINAL LINE 6MMQ S	
21	z8 39121	3	TERMINAL EARTH 6MMQ S	
22	Z8 39322	1	LOCK COMB.CLAMP PE.L.N 2.5mmq S	[1]
27	Z8 39205	2	CABLE GLAND PG21 PA	
28	Z8 39569	2	METAL RING NUT PG21	
29	Z8 39693	1	HOURS COUNTER TO GUIDE	

Part Notes:

- [1] - CONTACT PM IN ZOCCA
 [2] - CONTACT PM IN ZOCCA-CHECK EC



No.	Part No.	Qty.	Description	Part Note
00	Z8 41228	1	E.B. KW13 S/T	[1]
01H	40000597	1	ELECTRIC BOARD LABELS KIT	
02H	40000593	1	GREEN BUTTON KIT	[2]
03H	40000594	1	RED BUTTON KIT	[2]
04H	40000595	1	WHITE INDICATOR KIT	[2]
05H	40000596	1	RED INDICATOR KIT	[2]
06	Z8 39114	2	LAMP BA9 V24	
09	Z8 39522	4	PLUG BLIND CONTROL	

Part Notes:

- [1] - CONTACT PM IN ZOCCA
- [2] - CONTACT PM IN ZOCCA-CHECK EC

