

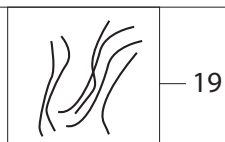
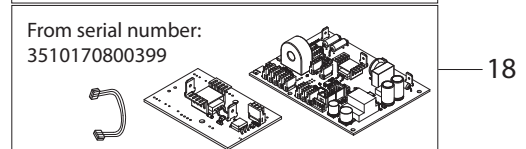
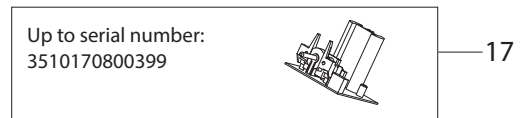
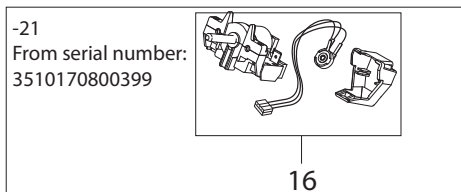
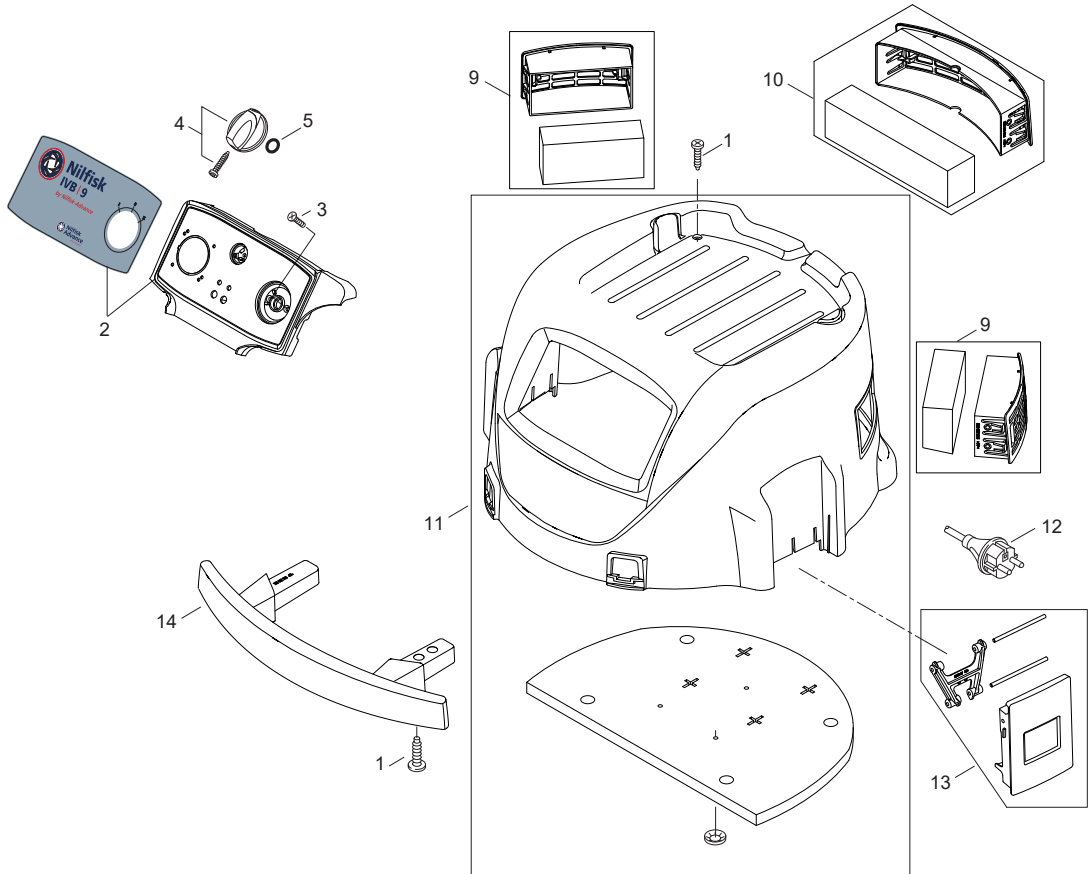
PARTS LIST



2018.02.05

TABLE OF CONTENTS

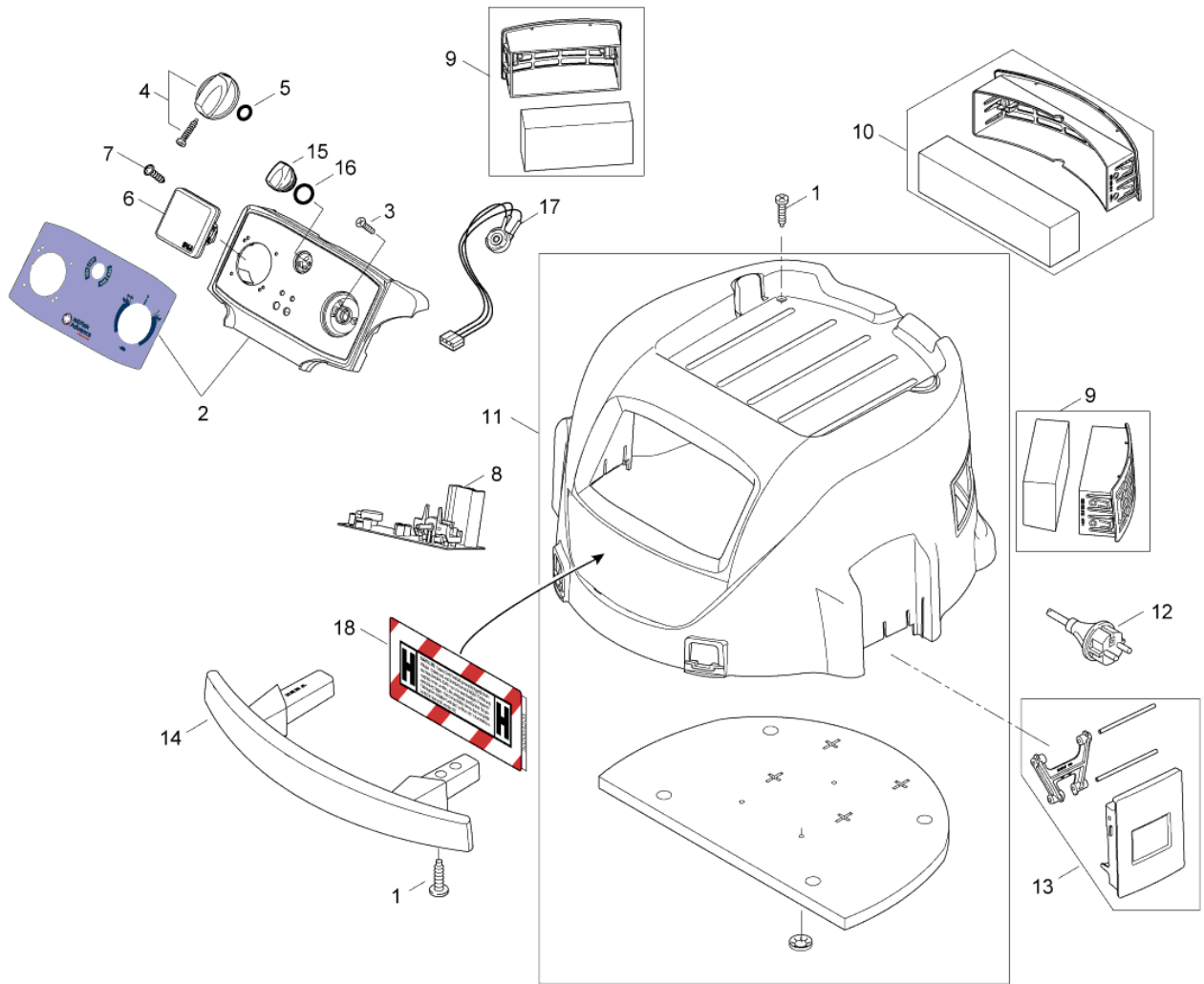
Cabinet 0L XC	1
Cabinet 2H/M XC	3
Base 0L XC	5
Base	7
Filter system 0L XC	9
Filter system 2H/M XC	11
Motor and motor top 0L XC	13
Motor and motor top	15
Container top and chassis 0L XC	17
Container top and chassis 2H/M XC	19
Container 0L XC	21
Container	23
Accessories	25
RECOMMENDED SPARE PARTS	27



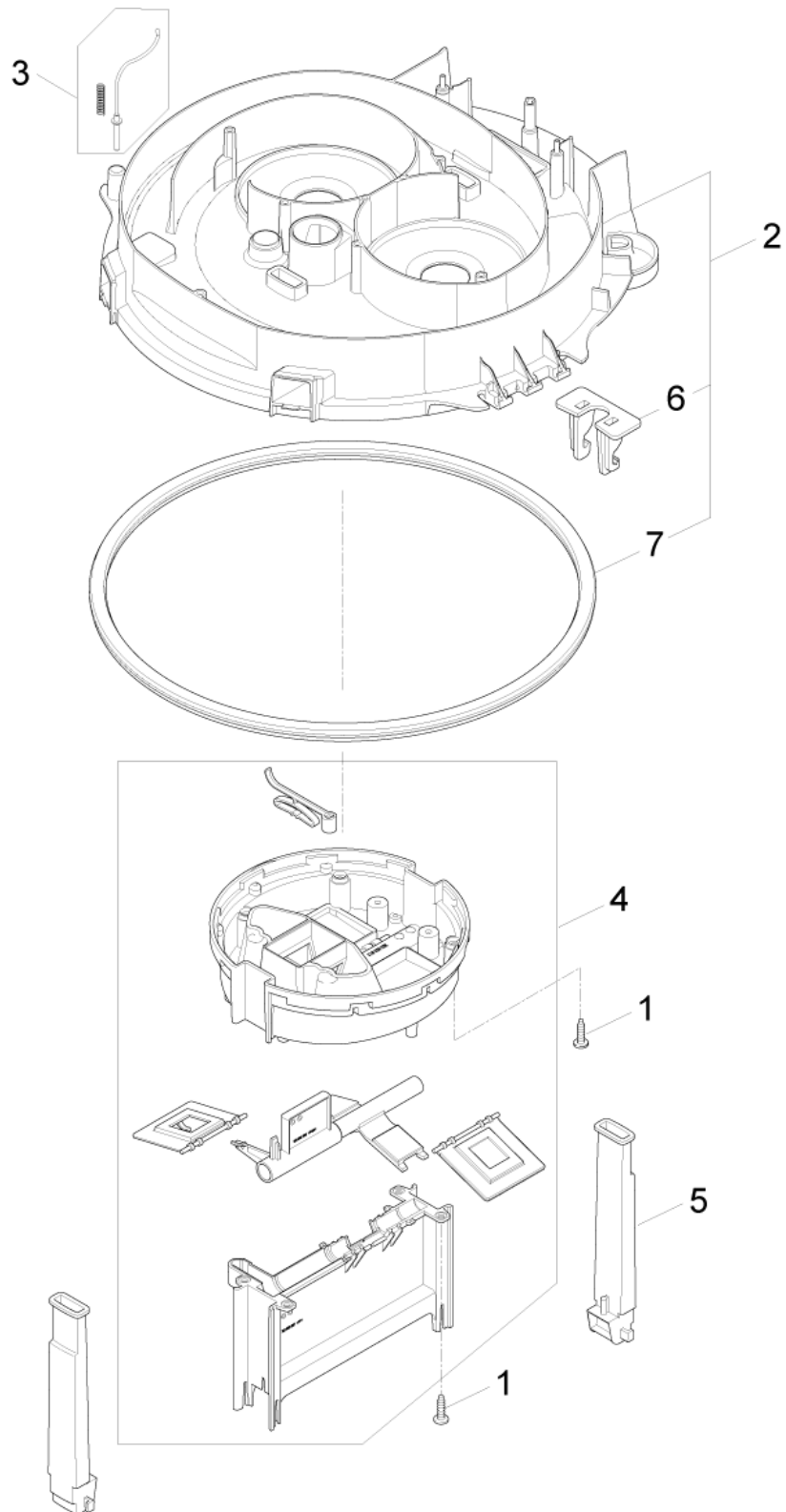
No.	Part No.	Qty.	Description	Part Note
00	302003274	1	SHIPPING CARTON BOX ATTIX 9 SD	
1	302003319	1	SCHRAVBEN ATTIX/IVB 9	
2	302003402	1	DISPLAY I-0-II XC IVB9 SET-1	
3	18274	2	COUNTERS UNK SCREW M4X12	
4	909100231	1	TURNING KNOB GR.1 6X5 P	
5	9868	1	O-RING 10.2X2.5 NBR 70	
9	302003397	2	CARTRIDGE ATTIX 9/IVB9	
10	302003398	1	EXHAUST AIR FILTER	
11	302003425	1	HOOD KIT ATTIX 9XC	
12	107402666	1	POWERCORD 1.5X10.8M	
12	302002789	1	CABLE 10.6 METER CH	
12	302002791	1	WIRE NETZ H07RN-F3G1.0X10.8M	
12	302002790	1	LTG NETZ H07BQ-F3G2.5X10.8M CE	
12	302002788	1	LTG NETZ H07RN-F3G1.5X10.6M	
13	302003383	1	CLAMP KIT, ATTIX 9/IVB9	
14	302002590	1	HANDLE FOR HOOD	
16	107415193	1	ROTARY SWITCH 3 POS 16A	
17	107400007	1	ELECTRO. I-0-II XC 230V	
18	107416933	1	PCBA AUTO CLEAN 2M-1S KIT1 220-240V	[1]
19	107416927	1	WIRE/CAPACITOR KIT2	

Part Notes:

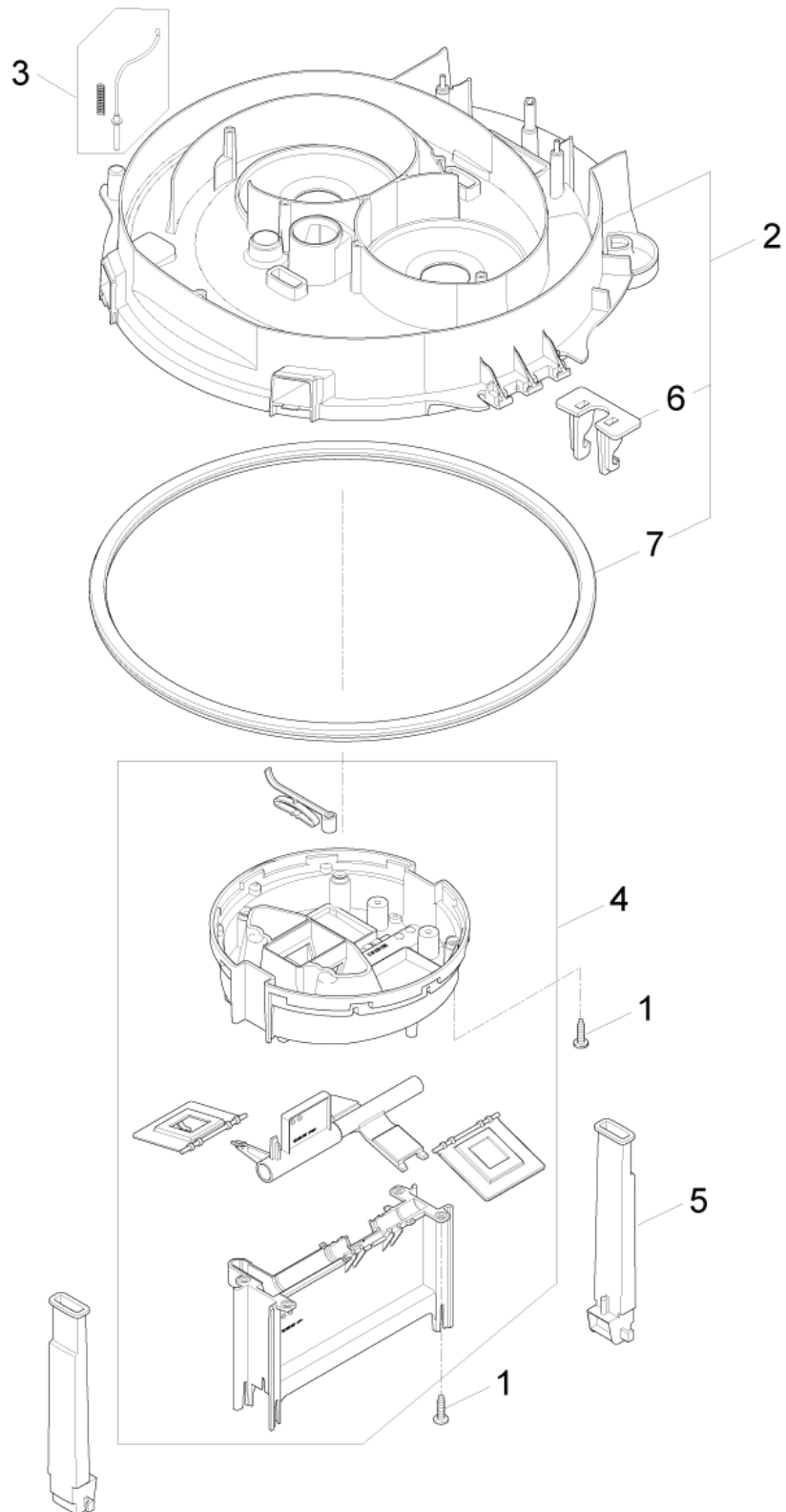
[1] - PB-COM-LI-2017-002 ATTIX-IVB 965_New Electronics



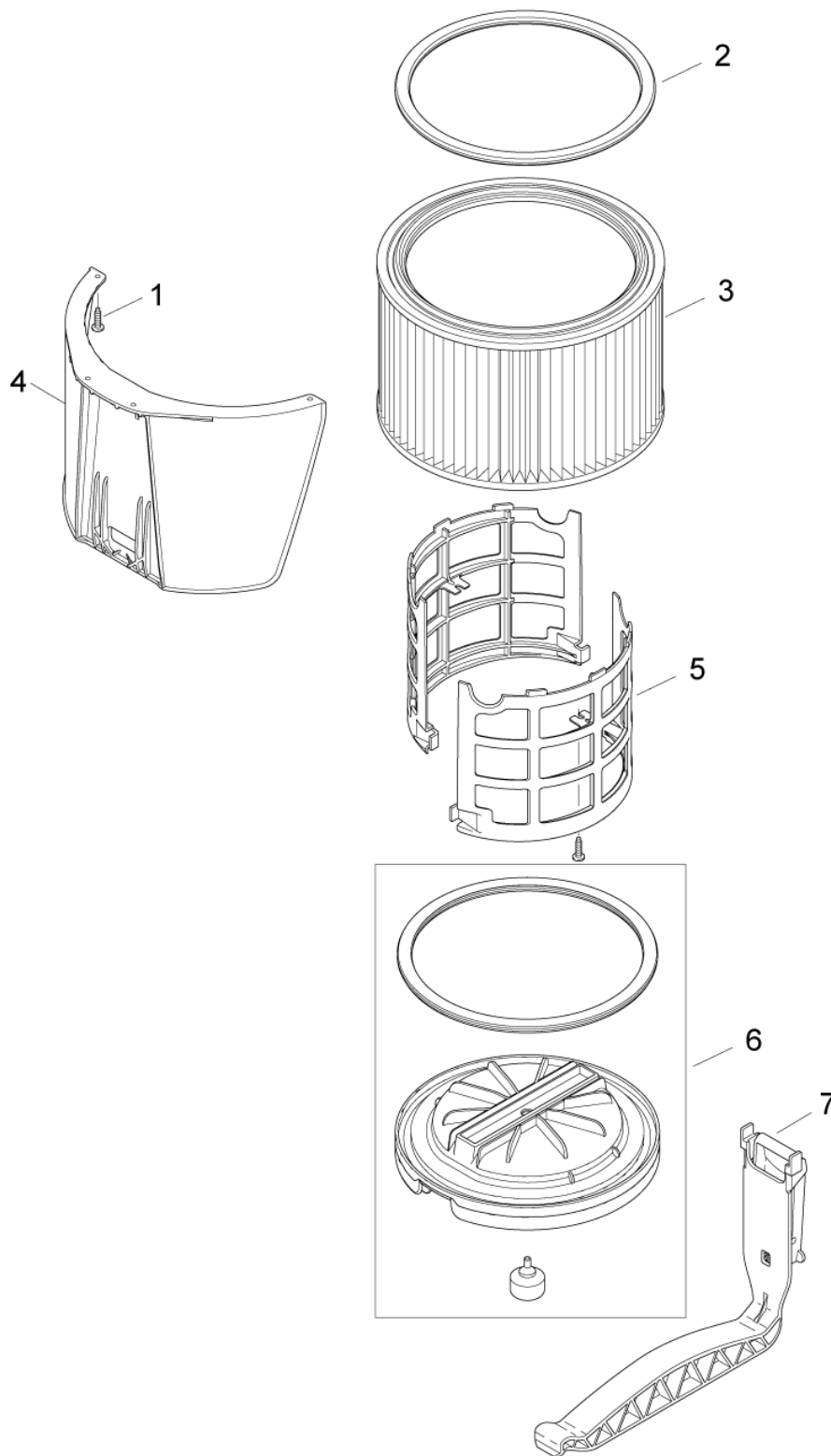
No.	Part No.	Qty.	Description	Part Note
1	302003319	1	SCHRAVBEN ATTIX/IVB 9	
2	302003074	1	LABEL CONTROL PANEL IVB9	
3	18274	2	COUNTERS UNK SCREW M4X12	
4	909100231	1	TURNING KNOB GR.1 6X5 P	
5	9868	1	O-RING 10.2X2.5 NBR 70	
6	302004034	1	SOCKET 16A/250V EU	
7	107402837	4	SCREW 3.5X14	
8	302003708	1	ELECTRONICS AUTO-0-1 XC	
9	302003397	2	CARTRIDGE ATTIX 9/IVB9	
10	302003398	1	EXHAUST AIR FILTER	
11	302003425	1	HOOD KIT ATTIX 9XC	
12	302002788	1	LTG NETZ H07RN-F3G1.5X10.6M	
12	302002790	1	LTG NETZ H07BQ-F3G2.5X10.8M CE	
12	302002789	1	CABLE 10.6 METER CH	
12	107402666	1	POWERCORD 1.5X10.8M	
12	302002791	1	WIRE NETZ H07RN-F3G1.0X10.8M	
13	302003383	1	CLAMP KIT, ATTIX 9/IVB9	
14	302002590	1	HANDLE FOR HOOD	
15	107400575	1	TURNING KNOB FOR POTI -	
16	107400576	1	O-RING 21X1.5	
17	302000429	1	ELECTRONIC POTENTIOMETER	
18	107401548	1	LABEL DUSTCLASS H	



No.	Part No.	Qty.	Description	Part Note
1	302003319	1	SCHRAVBEN ATTIX/IVB 9	
2	302003598	1	BASE PLATE XC	
3	107402835	1	CONTACT SPRING WIRE AND FASTON	
4	302003422	1	FILTER CLEAN SYSTEM XC	
5	302000514	2	GASKET	
6	107413313	1	FIXTURE 72X32X52 - KIT	
7	302001432	1	GASKET CONTAINER	



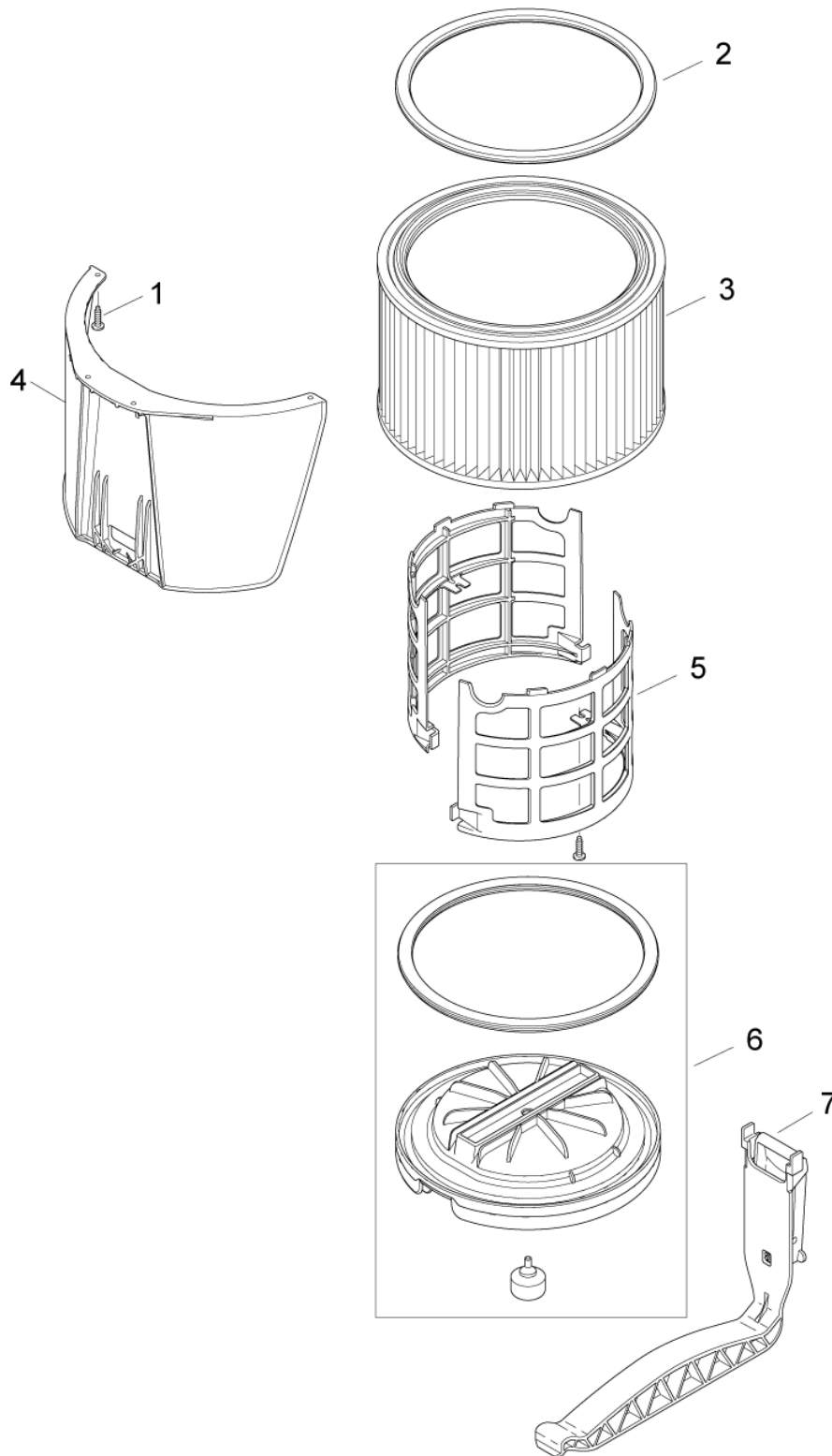
No.	Part No.	Qty.	Description	Part Note
1	302003319	1	SCHRAVBEN ATTIX/IVB 9	
2	302003598	1	BASE PLATE XC	
3	107402835	1	CONTACT SPRING WIRE AND FASTON	
4	302003422	1	FILTER CLEAN SYSTEM XC	
5	302000514	2	GASKET	
6	107413313	1	FIXTURE 72X32X52 - KIT	
7	302001432	1	GASKET CONTAINER	



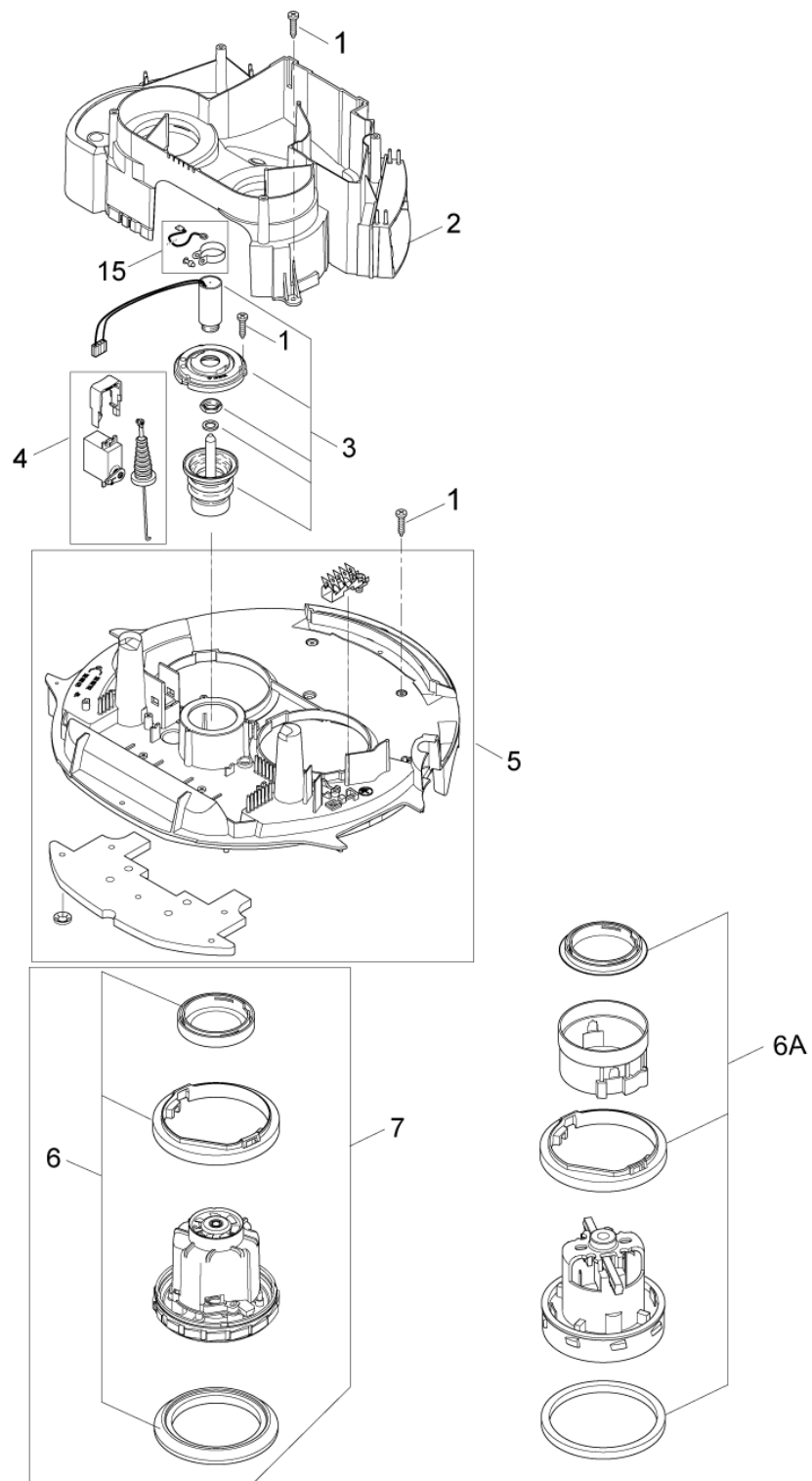
No.	Part No.	Qty.	Description	Part Note
1	302003319	1	SCHRABEN ATTIX/IVB 9	[1]
1	302003376	1	SCREW KIT	[2]
2	302000697	1	GASKET FILTER	
3	107400562	1	FILTER ELEMENT D275X187	
4	107402640	1	DEFLECTOR 318X180X212 KIT	
5	302000385	1	FILTER SUPPORT CAGE 216X	
6	107402653	1	FILTER SURFACE PLATE	
7	107402651	1	TENSION JACK	

Part Notes:

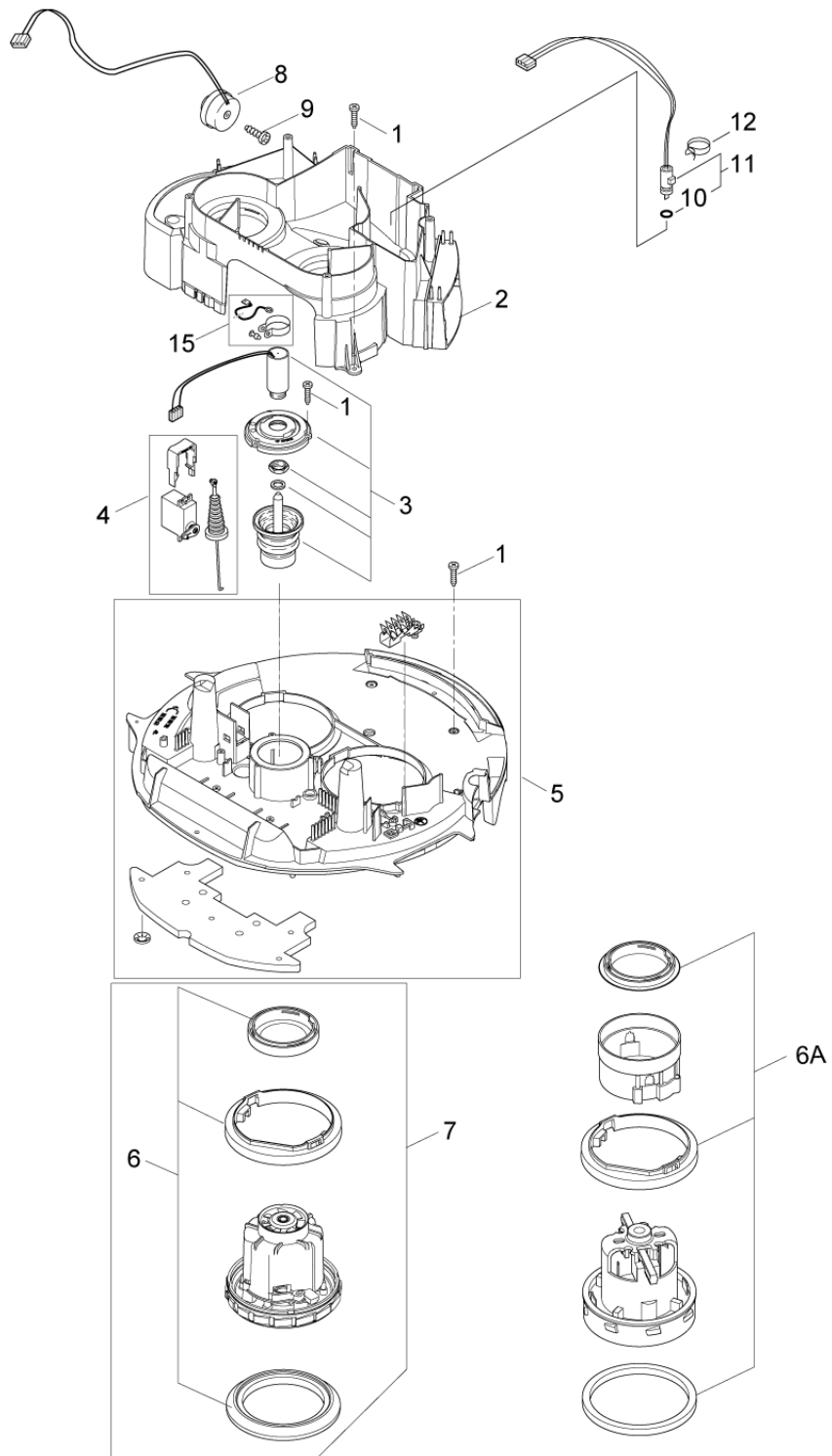
- [1] - BASIC
- [2] - SD XC



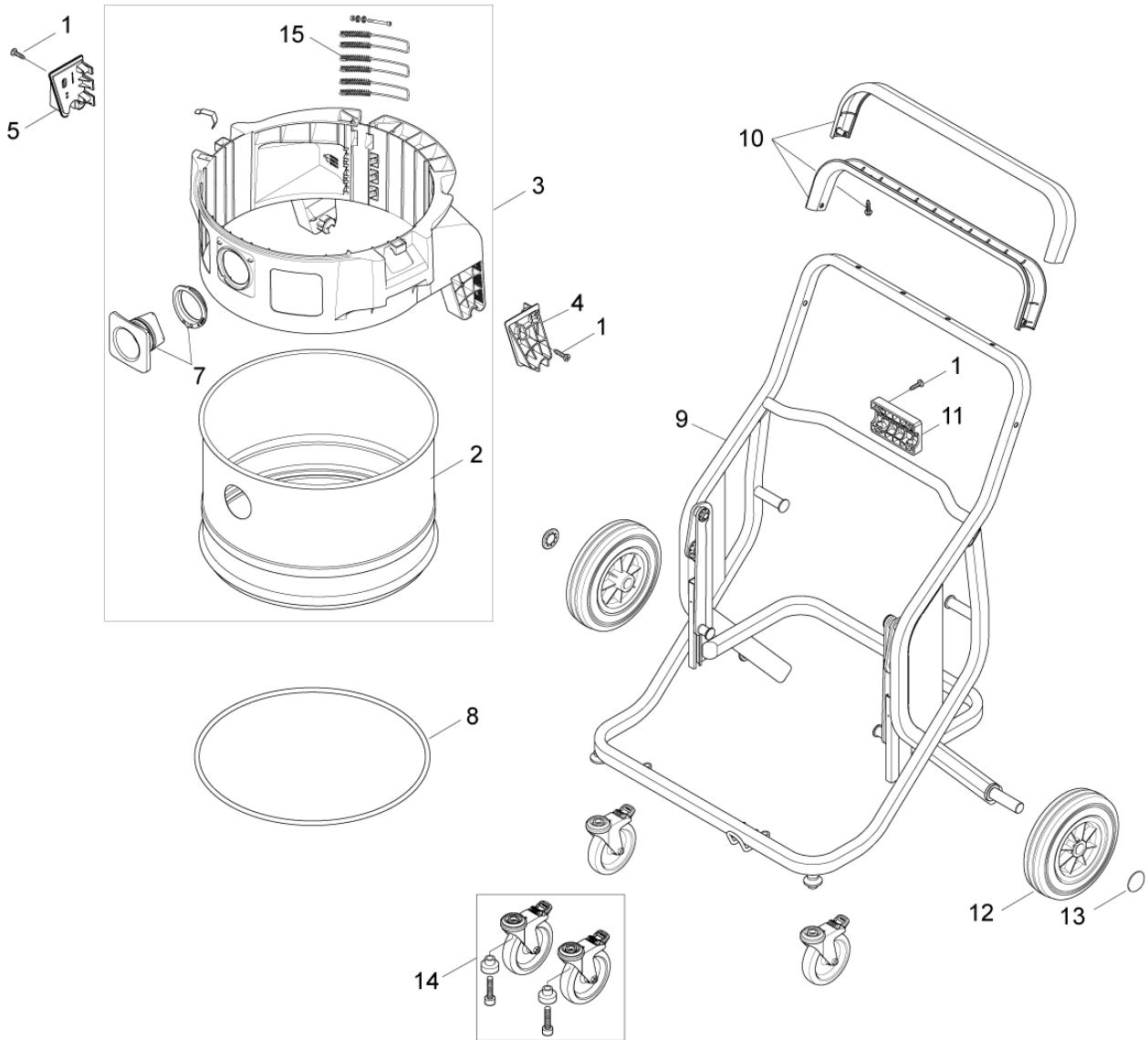
No.	Part No.	Qty.	Description	Part Note
1	302003376	1	SCREW KIT	
2	302000697	1	GASKET FILTER	
3	107400564	1	FILTER ELEMENT D275X187 H	
3	107400562	1	FILTER ELEMENT D275X187	
4	107402640	1	DEFLECTOR 318X180X212 KIT	
5	302000385	1	FILTER SUPPORT CAGE 216X	
6	107402653	1	FILTER SURFACE PLATE	
7	302001139	1	TENSION JACK H	



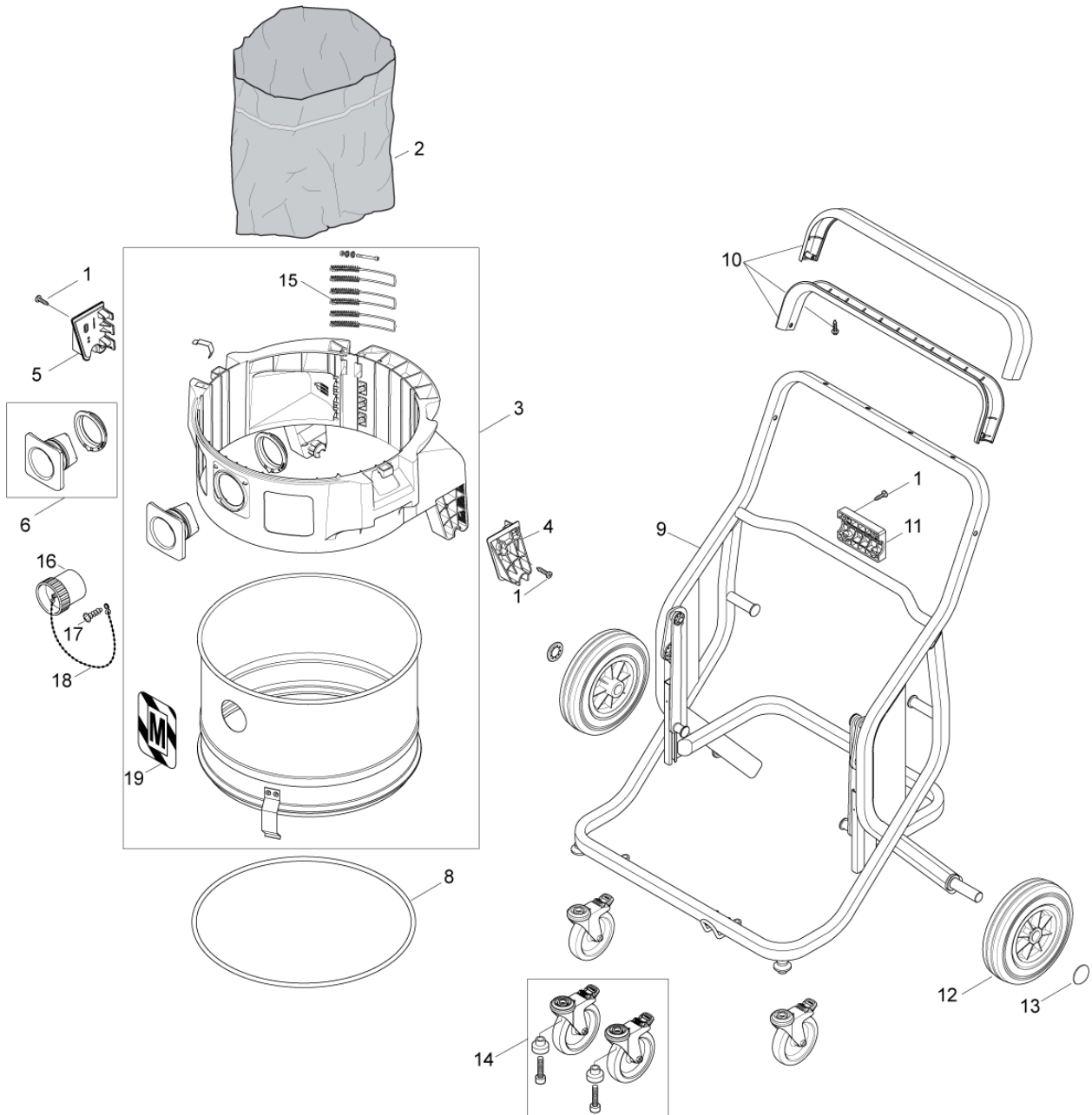
No.	Part No.	Qty.	Description	Part Note
1	302003319	1	SCHRAVBEN ATTIX/IVB 9	
2	302002582	1	Airguide ATTIX 9	
3	107400291	1	MAGNET 230V	
4	302003421	1	SERVO MOTOR	
5	302003423	1	CLAMPING PLATE XC	
6	302003385	1	SEALING KIT R	
6A	302003390	1	SEALING KIT S	
7	302003386	1	TURBINE KIT 1000W 230V	
7	302003388	1	MOTOR KIT 1000W 120V	
7	302003384	1	TURBINE KIT 1200W 230V	
15	107402836	1	EARTH CLIP FOR MAGNET - KIT	



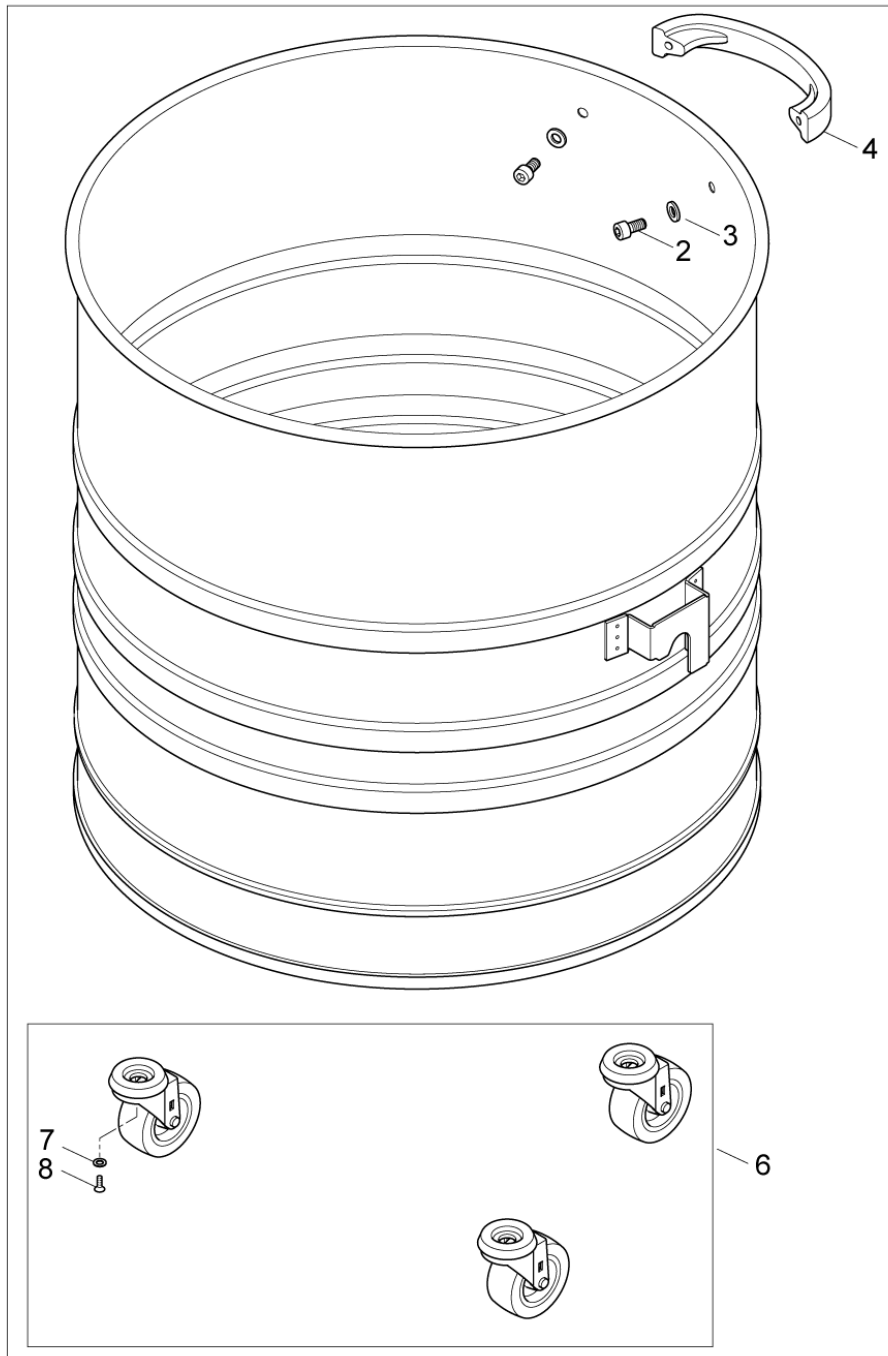
No.	Part No.	Qty.	Description	Part Note
1	302003319	1	SCHRAVBEN ATTIX/IVB 9	
2	107400043	1	AIRGUIDE ATTIX 9 KIT	
3	107400291	1	MAGNET 230V	
4	302003421	1	SERVO MOTOR	
5	302003423	1	CLAMPING PLATE XC	
6	302003390	1	SEALING KIT S	
6A	302003385	1	SEALING KIT R	
7	302003386	1	TURBINE KIT 1000W 230V	
7	302003388	1	MOTOR KIT 1000W 120V	
7	302003384	1	TURBINE KIT 1200W 230V	
8	107400579	1	PIEZO BUZZER	
9	14418	1	SCREW 4.2X13 ISO 7049	
10	55416	1	O-RING 4.0x1.5 NBR70	
11	302000428	1	FLOW SENSOR ATTIX 3,5,7	
12	107400578	1	HOSE CLAMP D10	
15	107402836	1	EARTH CLIP FOR MAGNET - KIT	



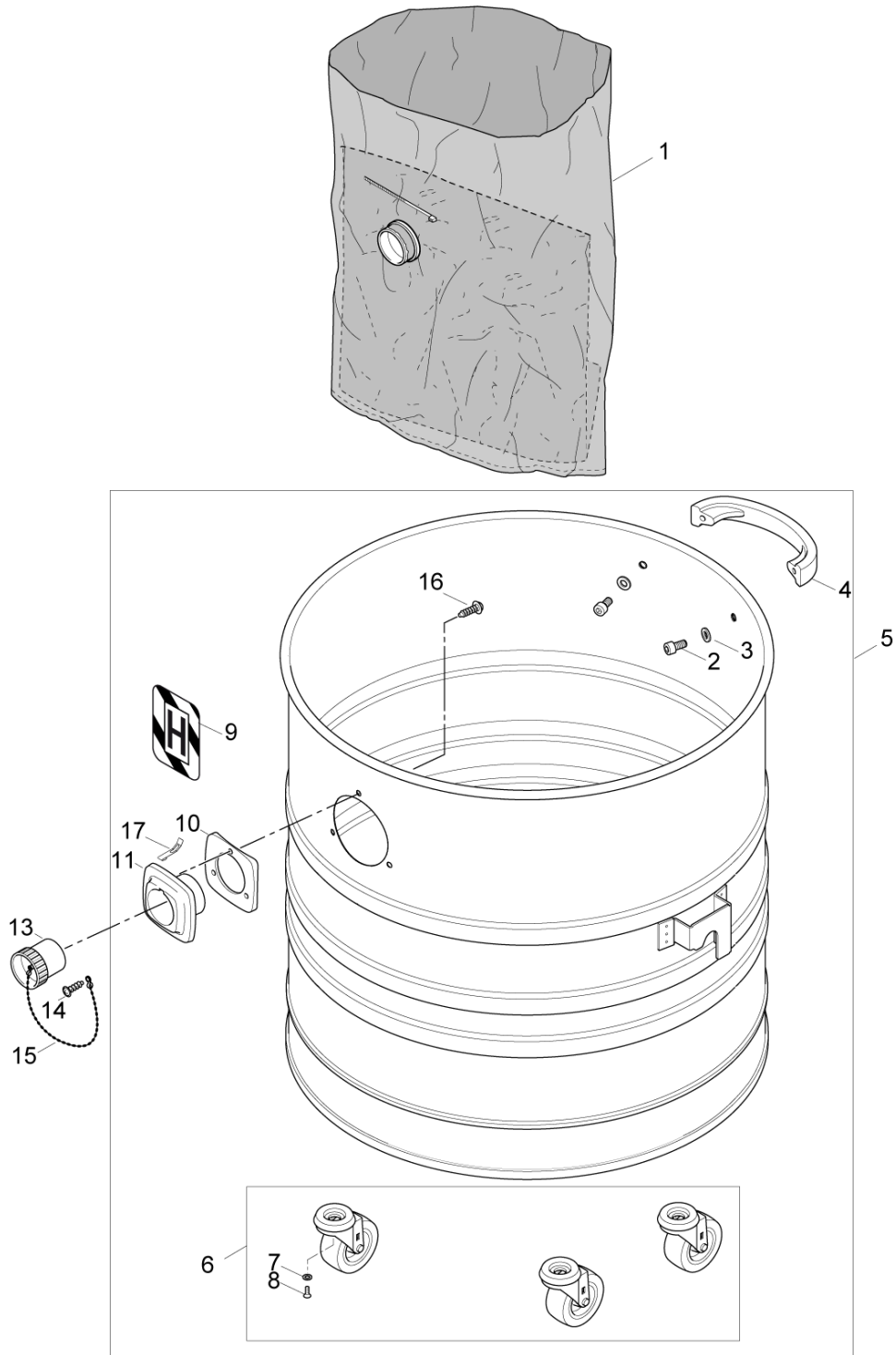
No.	Part No.	Qty.	Description	Part Note
1	302003319	1	SCHRAVBEN ATTIX/IVB 9	
2	302002580	1	CONTAINER RING	
3	302003420	1	BELT KIT IVB9	
4	302002895	1	FITTING PLATE RH 'ATTIX	
5	302002896	1	FITTING PLATE 'ATTIX 9'	
7	302003380	1	INLET FITTING KIT ATTIX 9	
8	302002608	1	GASKET A#8	
9	302003087	1	PREASSEMBLED SD CHASSI	
10	302003418	1	HANDLE KIT	
11	302002769	1	SD CHASSIS MOUNT	
12	107401077	2	WHEEL 200X50 KIT	
13	3750	2	WHEEL CAPS TO SUIT TURBO	
14	107401054	1	CASTOR TURNABLE WITH BRAK	
15	909100383	1	SPRING 1.40X7.5X113	



No.	Part No.	Qty.	Description	Part Note
1	302003319	1	SCHRAVBEN ATTIX/IVB 9	
2	302001480	1	DISPOSAL BAG SET5 "	
3	302003714	1	METALBELT SD-H IVB9	
4	302002895	1	FITTING PLATE RH 'ATTIX	
5	302002896	1	FITTING PLATE 'ATTIX 9'	
6	302003380	1	INLET FITTING KIT ATTIX 9	
8	302002608	1	GASKET A#8	
9	302003087	1	PREASSEMBLED SD CHASSI	
10	302003418	1	HANDLE KIT	
11	302002769	1	SD CHASSIS MOUNT	
12	107401077	2	WHEEL 200X50 KIT	
13	3750	2	WHEEL CAPS TO SUIT TURBO	
14	107401054	1	CASTOR TURNABLE WITH BRAK	
15	909100383	1	SPRING 1.40X7.5X113	
16	14775	1	PLUG	
17	24738	1	SCREW KA35X 8 WN1411	
18	30081	1	BEAD CHAIN 150MM WITH	
19	302003710	1	LABEL WARNING M 80X80	



No.	Part No.	Qty.	Description	Part Note
0-	302003319	1	SCHRAVBEN ATTIX/IVB 9	
2	14664	2	LENS HEAD COUNTER	
3	14805	2	WASHER 6,4 x 1.6	
4	14663	1	BOW-TYPE HANDEL M6	
5	302002579	1	CONTAINER SD	
6	107401920	1	CASTER D50X20 H64 D10.2	
7	6100718	3	WASHER	
8	24310	3	SCREW	



No.	Part No.	Qty.	Description	Part Note
1	302003473	1	M/H Safety Filter Bag	
2	14664	2	LENS HEAD COUNTER	
3	14805	2	WASHER 6,4 x 1.6	
4	14663	1	BOW-TYPE HANDEL M6	
5	302003713	1	CONTAINER FOR INTAKEFITTING SD	
6	107401920	1	CASTER D50X20 H64 D10.2	
7	6100718	3	WASHER	
8	24310	3	SCREW	
9	302003709	1	LABEL WARNING H 80X80	
10	11167	1	ADAPTER RING PVC	
11	11180	1	INLET FITTING DN50 PA	
13	14775	1	PLUG	
14	24738	2	SCREW KA35X 8 WN1411	
15	30081	1	BEAD CHAIN 150MM WITH	
16	10028	3	SCREW KA50X14 WN1411	
17	17742	1	CONTACT SPRING B1 VA	

No.	Part No.	Qty.	Description	Part Note
1	7993	1	BRUSH STRIPS	
2	10950200	1	ROUND BRUSH (38) 70MM	[1]
3	107400562	1	FILTER ELEMENT D275X187	
3	107400564	1	FILTER ELEMENT D275X187 H	
4	302002894	1	CLOTH FILTER INSERT	
5	29457	1	ADAPTOR	
6	302002796	1	SUCTION HOSE 38X4000	
7	302002889	1	CURVED HAND TUBE	
8	15339	1	ANODIZED ALUMINUM TUBE	
9	15340	1	EXTEN TUBE 38 x 2500 MM	
10	6079	1	OVEN NOZZLE 450X Ø 38MM	[2]
11	63380	1	OVEN NOZZLE 400X	
12	64930	1	SCRAPER FOR 63380	
13	6080	1	SPARE SCRAPER FOR 6079	[3]
14	8054	1	PIPE CLEANING NOZZLE	
15	7964	1	PIPE CLEAR NOZZLE	
16	302002884	1	TOOL ADAPTER	
17	15815	1	SUCTION HOSE	

Part Notes:

- [1] - 4072400262 antistatic version
 [2] - ALTERNATIVE USE 63380
 [3] - PRUNED ACCESSORY

RECOMMENDED SPARE PARTS

IVB 965-0L SD XC

2017.11.02

2016.06.06

No.	Part No.	Qty.	Description	Part Note
01	17742	1	CONTACT SPRING B1 VA	
01	107400562	1	FILTER ELEMENT D275X187	
01	107400575	1	TURNING KNOB FOR POTI -	
01	107401920	1	CASTER D50X20 H64 D10.2	
01	302000697	1	GASKET FILTER	
01	302003386	1	TURBINE KIT 1000W 230V	
01	302003384	1	TURBINE KIT 1200W 230V	
01	24738	1	SCREW KA35X 8 WN1411	
01	302003397	1	CARTRIDGE ATTIX 9/IVB9	
01	302000428	1	FLOW SENSOR ATTIX 3,5,7	
01	302002608	1	GASKET A#8	
01	302003423	1	CLAMPING PLATE XC	
01	107401054	1	CASTOR TURNABLE WITH BRAK	
01	302003390	1	SEALING KIT S	
01	107413313	1	FIXTURE 72X32X52 - KIT	
01	302002788	1	LTG NETZ H07RN-F3G1.5X10.6M	
01	302002789	1	CABLE 10.6 METER CH	
01	302003402	1	DISPLAY I-0-II XC IVB9 SET-1	
01	107402653	1	FILTER SURFACE PLATE	
01	107400007	1	ELECTRO. I-0-II XC 230V	
01	30081	1	BEAD CHAIN 150MM WITH	
01	302003074	1	LABEL CONTROL PANEL IVB9	
01	302003421	1	SERVO MOTOR	
01	302003708	1	ELECTRONICS AUTO-0-1 XC	
01	3750	1	WHEEL CAPS TO SUIT TURBO	
01	302001432	1	GASKET CONTAINER	
01	302002769	1	SD CHASSIS MOUNT	
01	302003473	1	M/H Safety Filter Bag	
01	107401077	1	WHEEL 200X50 KIT	
01	302002582	1	Airguide ATTIX 9	
01	302003383	1	CLAMP KIT, ATTIX 9/IVB9	
01	302001480	1	DISPOSAL BAG SET5 "	
01	302002790	1	LTG NETZ H07BQ-F3G2.5X10.8M CE	
01	302003388	1	MOTOR KIT 1000W 120V	
01	302004034	1	SOCKET 16A/250V EU	
01	107400579	1	PIEZO BUZZER	
01	302003425	1	HOOD KIT ATTIX 9XC	
01	302002791	1	WIRE NETZ H07RN-F3G1.0X10.8M	
01	11180	1	INLET FITTING DN50 PA	
01	302000429	1	ELECTRONIC POTENTIOMETER	
01	302003385	1	SEALING KIT R	
01	107402835	1	CONTACT SPRING WIRE AND FASTON	
01	302000385	1	FILTER SUPPORT CAGE 216X	
01	107402666	1	POWERCORD 1.5X10.8M	
01	14775	1	PLUG	
01	302002590	1	HANDLE FOR HOOD	
01	302000514	1	GASKET	
01	107400564	1	FILTER ELEMENT D275X187 H	
01	302003598	1	BASE PLATE XC	
01	302003710	1	LABEL WARNING M 80X80	
01	302003398	1	EXHAUST AIR FILTER	
01	302002896	1	FITTING PLATE 'ATTIX 9'	
01	302003709	1	LABEL WARNING H 80X80	
01	107400291	1	MAGNET 230V	
01	302003422	1	FILTER CLEAN SYSTEM XC	
01	24310	1	SCREW	
01	302001139	1	TENSION JACK H	
01	107402651	1	TENSION JACK	

RECOMMENDED SPARE PARTS

IVB 965-0L SD XC

2017.11.02

2016.06.06

No.	Part No.	Qty.	Description	Part Note
01	302002895	1	FITTING PLATE RH 'ATTIX	
01	302003380	1	INLET FITTING KIT ATTIX 9	
01	909100231	1	TURNING KNOB GR.1 6X5 P	
01	14663	1	BOW-TYPE HANDEL M6	
01	11167	1	ADAPTER RING PVC	

