

INSTRUCTIONS FOR USE
(ORIGINAL INSTRUCTION)

BRUGSANVISNING

BETRIEBSANLEITUNG

MODE D'EMPLOI

INSTRUCCIONES DE USE

IVB 961-0L / 965-0L SD XC



EN Contents

1	Important safety instructions	3
2	Description	2.1 Operating elements	7
		2.2 Operating panel.....	8
3	Before starting the cleaner	3.1 Assembling the vacuum cleaner.....	9
4	Control / Operation	4.1 Connections	12
		4.2 Switching on the vacuum cleaner.....	12
		4.3 Cleaning the filter element	13
5	Applications and methods	5.1 Techniques	14
6	After using the cleaner	6.1 Switching the vacuum cleaner off and storage.....	15
7	Maintenance	7.1 Maintenance plan	16
		7.2 Maintenance work	17
8	Troubleshooting	22
9	Further information	9.1 Recycling the cleaner	23
		9.2 Guarantee	23
		9.3 Tests and approvals.....	23
		9.4 EC declaration of conformity	23
		9.5 Technical data	24
		9.6 Optional accessories.....	24

1 Important safety instructions

Symbols used to mark instructions



Prior to using the appliance for the first time, be sure to read this document through and keep it ready to hand.

	DANGER
	Danger that leads directly to serious or irreversible injuries, or even death.
	WARNING
	Danger that can lead to serious injuries or even death.
	CAUTION
	Danger that can lead to minor injuries and damage.

The appliance must

- only be used by persons, who have been instructed in its correct usage and explicitly commissioned with the task of operating it
- only be operated under supervision
- not be used by children

1. Do not use any unsafe work techniques.
2. Never use the vacuum cleaner without a filter.
3. Switch off the appliance and disconnect the mains plug in the following situations:
 - Prior to cleaning and servicing
 - Prior to replacing components
 - If foam develops or liquid emerges

Besides the operating instructions and the binding accident prevention regulations valid in the country of use, observe recognised regulations for safety and proper use.

When dust removers are used, the rate at which air is exchanged in the room must be adequate if the exhaust air from the vacuum cleaner is blown into the room (please observe regulations valid in your country).

Before starting work, the operating staff must be informed on

- use of the vacuum cleaner
- risks associated with the material to be picked up
- safe disposal of the picked up material.

Purpose and intended use

The vacuum cleaners described in this operating manual are suitable for

- commercial use, e.g. in hotels, schools, hospitals, factories, shops, offices and rental businesses.
- for separation of dust with an exposure limit of greater than 1 mg/m³, (dust class L).





Any other use is considered as improper use. The manufacturer accepts no liability for any damage resulting from such use. The risk for such use is borne solely by the user.

Proper use also includes proper operation, servicing and repairs as specified by the manufacturer.

Transport

1. Before transporting the dirt tank, close all the locks.
2. Do not tilt the cleaner if there is liquid in the dirt tank.
3. Do not use a crane hook to lift the cleaner.

Storage

1. Store the appliance in a dry place, protected from frost.

Electrical connection

1. It is recommended that the vacuum cleaner should be connected via a residual current circuit breaker.
2. Arrange the electrical parts (sockets, plugs and couplings) and lay down the extension lead so that the protection class is maintained.
3. Connectors and couplings of power supply cords and extension leads must be watertight.

Extension lead

1. As an extension lead, only use the version specified by the manufacturer or one of a higher quality.
2. When using an extension lead, check the minimum cross-sections of the cable:

Cable length	Cross section	
	< 16 A	< 25 A
up to 20 m	1.5 mm ²	2.5 mm ²
20 to 50 m	2.5 mm ²	4.0 mm ²

Maintenance, cleaning and repair

Electrical tests must be performed in accordance with the provisions of safety regulations (BGV A3) and to DIN VDE 0701 Part 1 and Part 3. In accordance with DIN VDE 0702 these tests must be performed at regular intervals and after repairs or modifications.

A dust test must be performed at least once every year by Nilfisk-Advance service or a trained person. This test includes, for example, whether there is damage to the filter, the vacuum cleaner is sealed to the air and the control equipment works properly.

During maintenance and cleaning, handle the vacuum cleaner in such a manner that there is no danger for maintenance staff or other persons.




Clean the water level limiting device regularly and check for signs of damage.

In the maintenance area


- use filtered compulsory ventilation
- wear protective clothing
- clean the maintenance area so that no harmful substances get into the surroundings.

Risks

Electrical components


	DANGER
	<p>Electric shock due to faulty mains connecting lead.</p> <p>Touching a faulty mains connecting lead can result in serious or even fatal injuries.</p> <ol style="list-style-type: none"> 1. Do not damage the mains power lead (e.g. by driving over it, pulling or crushing it). 2. Regularly check whether the power cord is damaged or shows signs of ageing. 3. Have the faulty mains connecting lead replaced by your Nilfisk-Advance service representative or a qualified electrician prior to using the appliance again.
	DANGER
	<p>The upper section of the vacuum cleaner contains live components.</p> <p>Contact with live components leads to serious or even fatal injuries.</p> <ol style="list-style-type: none"> 1. Never spray water on to the upper section of the vacuum cleaner.
	CAUTION
	<p>Damage due to unsuitable mains voltage.</p> <p>The appliance can be damaged as a result of being connected to an unsuitable mains voltage.</p> <ol style="list-style-type: none"> 1. Ensure that the voltage shown on the rating plate corresponds to the voltage of the local mains power supply.

Picking up liquids


	CAUTION
	<p>Picking up liquids.</p> <p>IVB 965-0L SD XC: Due to their construction vacuum cleaners with a removable tank (SD) do not have an automatic level indicator. There is a risk of damage to the vacuum cleaner due to overfilling or of damage due to leakage of the picked up liquid.</p> <ol style="list-style-type: none"> 1. Never pick up more than 40 litres at once. 2. Switch off the vacuum cleaner and empty the dirt tank.




Hazardous materials

WARNING	
	<p>Hazardous materials. Vacuuming up hazardous materials can lead to serious or even fatal injuries</p> <ol style="list-style-type: none"> The following materials must not be picked up by the vacuum cleaner: <ul style="list-style-type: none"> - hot materials (burning cigarettes, hot ash, etc.) - flammable, explosive, aggressive liquids (e.g. petrol, solvents, acids, alkalis, etc.) - flammable, explosive dust (e.g. magnesium or aluminium dust, etc.)

Spare parts and accessories

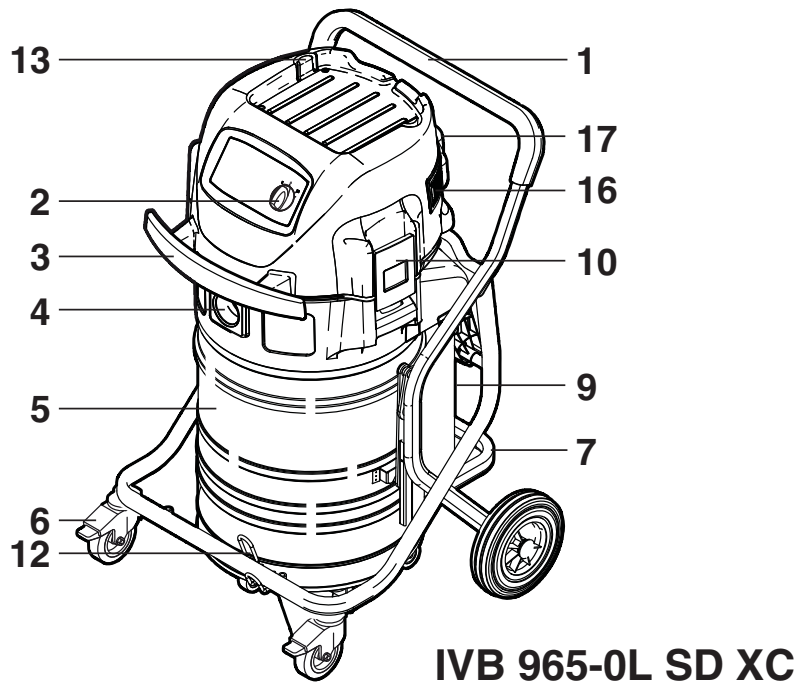
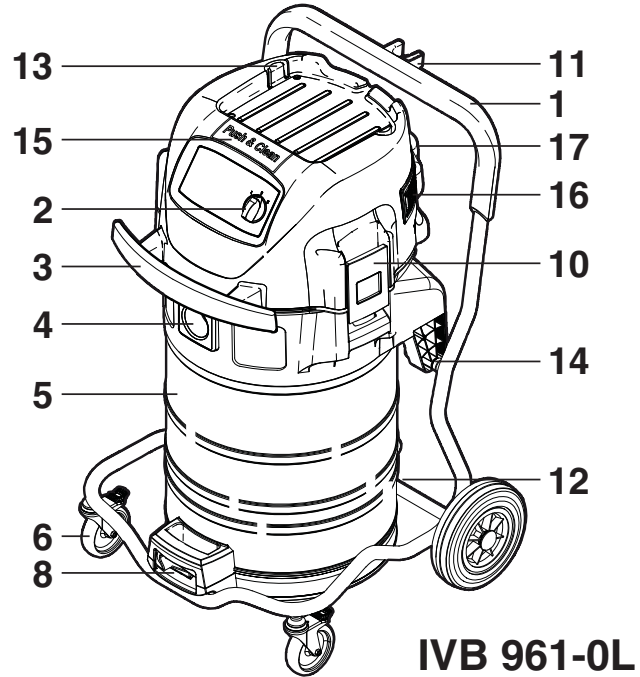
CAUTION	
	<p>Spare parts and accessories. The use of non-genuine spare parts and accessories can impair the safety of the appliance.</p> <ol style="list-style-type: none"> Only use spare parts and accessories from Nilfisk-Advance. Use only the brushes supplied with the vacuum cleaner or specified in the operating manual.

Emptying dirt tank

CAUTION	
	<p>Picking up environmentally hazardous materials. Materials picked up can present a hazard to the environment.</p> <ol style="list-style-type: none"> Dispose of the dirt in accordance with legal regulations.

2 Description

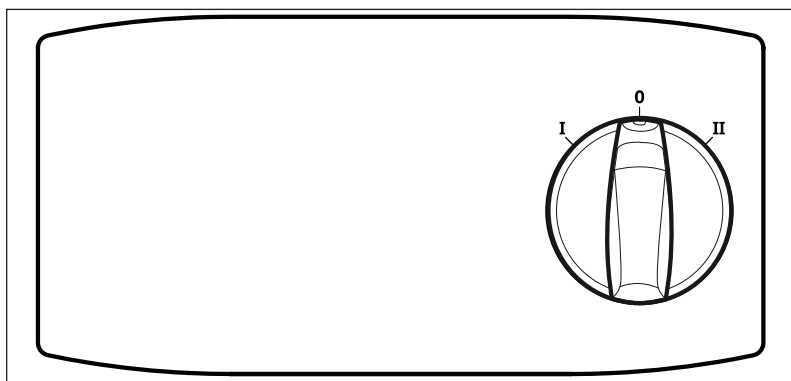
2.1 Operating elements





- 1 Handle
- 2 Appliicance switch "I-0-II"
- 3 Receptacle for electrical lead
- 4 Inlet fitting
- 5 Dirt tank
- 6 Castor with brake
- 7 Swivel bar to remove dirt tank
- 8 Grip to empty tank
- 9 Handle to remove dirt tank
- 10 Retaining clamp
- 11 Suction pipe support
- 12 Bracket for floor nozzle
- 13 Accessory holder
- 14 Clamps and hinges for dirt tank
- 15 Operating knob for filter cleaning
- 16 Inlet for fresh air
- 17 Outlet for waste air

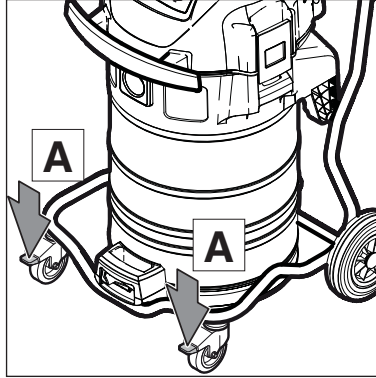
2.2 Operating panel



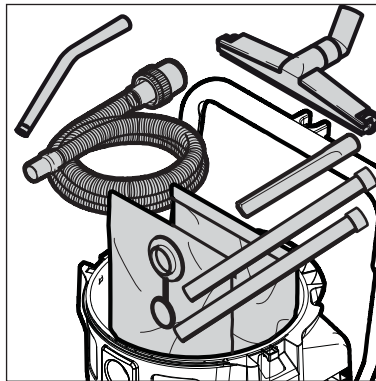
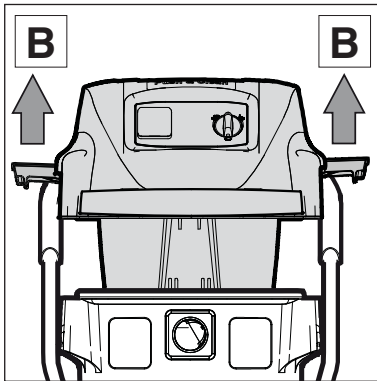
3 Before starting the cleaner

3.1 Assembling the vacuum cleaner

3.1.1 Taking accessories out of the packaging ¹⁾

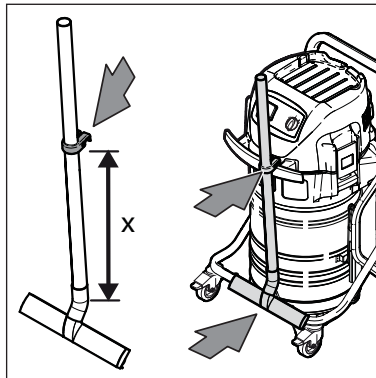


1. Take vacuum cleaner and accessories out of the packaging.
2. The mains plug should not yet be inserted into a socket.
3. Apply parking brakes (A) on both castors.



4. Open the retaining clamps (B) and remove the upper section of the vacuum cleaner.
5. Take the accessories ¹⁾ out of the dirt tank and the packaging.

3.1.2 Attaching the suction pipe holder to the suction pipe ¹⁾



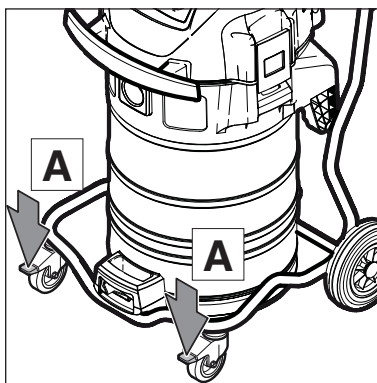
1. Attach the suction pipe holder to the suction pipe.

Accessory diameter	Distance (x) from pivot joint to the floor nozzle approx. cm
38	52
50	47

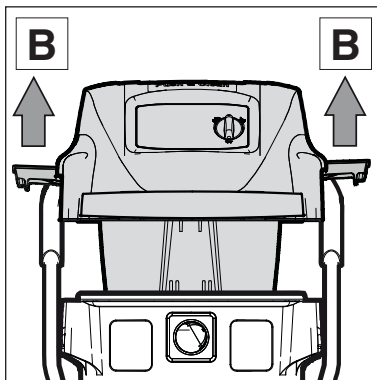
¹⁾ Optional accessories / Option depending on model
Original instruction

EN

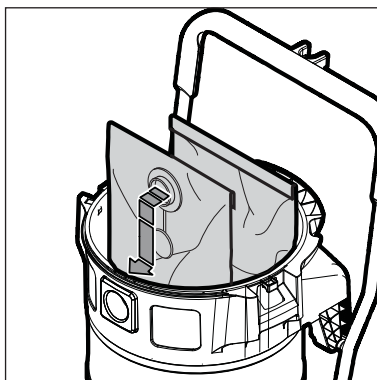
3.1.3 Inserting the filter bag (IVB 961-0L)



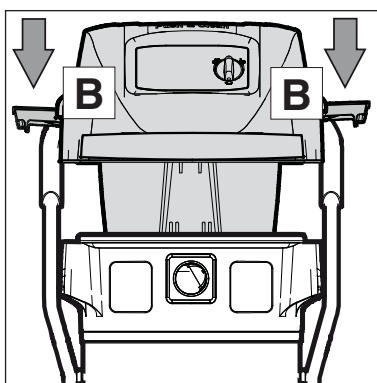
1. The mains plug should not yet be inserted into a socket.
2. Apply parking brakes (A) on both castors.



3. Open the retaining clamps (B) and remove the upper section of the vacuum cleaner.



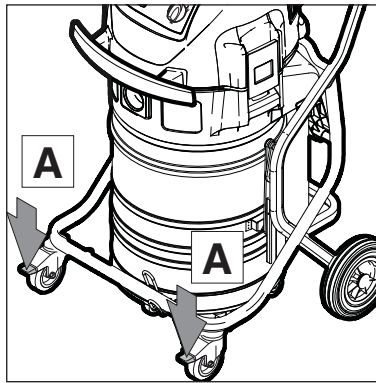
4. Insert the filter bag (C) in the dirt tank.



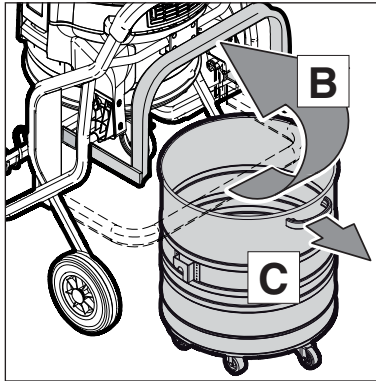
5. Attach the upper section of the vacuum cleaner.
6. Close the retaining clamps (B). Ensure that the retaining clamps fit properly.

3.1.4 Inserting the disposal bag (IVB 965-0L SD XC)

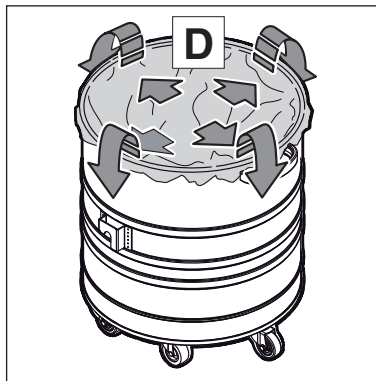
EN



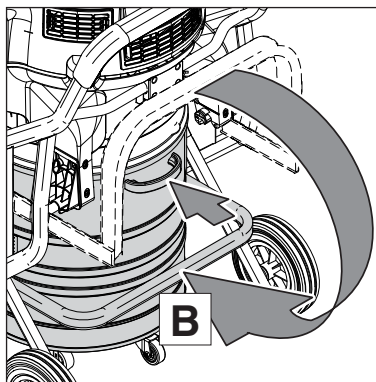
1. The mains plug should not yet be inserted into a socket.
2. Apply parking brakes (A) on both castors.



3. Swing the bar (B) upwards.
4. Use the handle (C) to pull the dirt tank out of the vacuum cleaner.



5. Insert the disposal bag (D) in the dirt tank.
6. Fold the top edge of the disposal bag over the rim of the dirt tank.

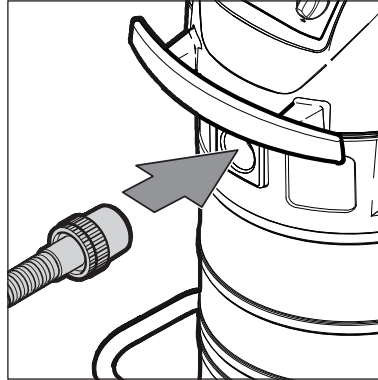


7. Push the dirt tank as far as possible into the vacuum cleaner.
8. Swing the bar (B) downwards without forcing it.

EN 4 Operation

4.1 Connections

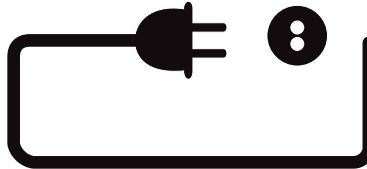
4.1.1 Connecting the suction hose



1. Connect the suction hose.

4.1.2 Electrical connection

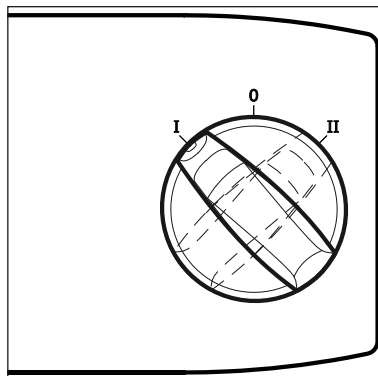
The operating voltage shown on the rating plate must correspond to the voltage of the mains power supply.



1. Ensure that the cleaner is switched off.
2. Insert the power cord into a properly installed and fused socket with earthing contact.

4.2 Switching on the vacuum cleaner

4.2.1 Switch " I-0-II "

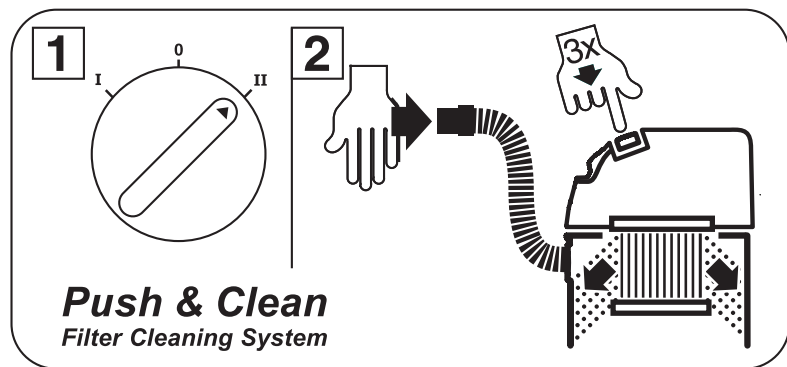


Switch position	Function
I	Reduced suction
0	Off
II	Maximum suction

4.3 Cleaning the filter element

4.3.1 Cleaning the filter element " Push&Clean System " (IVB 961-0L)

Only for vacuum cleaning without a filter bag and without a cloth insert filter.



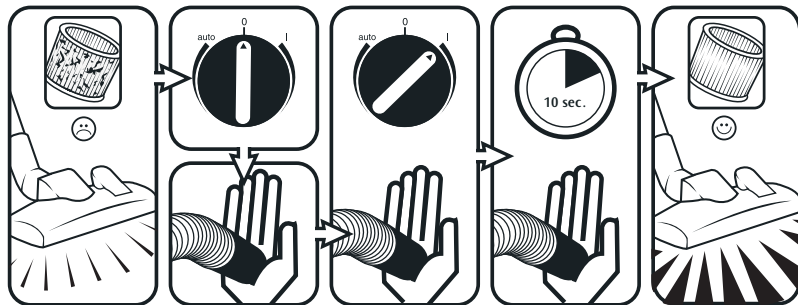
If suction performance drops:

1. Turn switch to position "II" (maximum suction power).
2. Close the nozzles or suction hose opening with the palm of your hand.
3. Press the button to start filter cleaning three times. The resulting stream of air removes attached dust from the slats of the filter elements.

4.3.2 Cleaning the filter element " XtremeClean " (IVB 965-0L SD XC)



Only for vacuum cleaning without a cloth insert filter.



To ensure that suction performance is always at its best, the filter element is automatically cleaned during operation. We recommend complete cleaning if the filter element becomes extremely dirty.

1. Switch off the vacuum cleaner
2. Close the nozzles or suction hose opening with the palm of your hand.
3. Turn the switch to position „I“ and let the cleaner operate for approx. 10 seconds with the suction hose opening closed.

EN 5 Applications and techniques

5.1 Techniques

If used correctly, additional accessories, suction nozzles and suction hoses can enhance the cleaning action and reduce the cleaning effort.

Effective cleaning is achieved if you follow just a few guidelines in combination with your own practical experience in special fields.

Here are some basic tips.

5.1.1 Picking up dry substances

CAUTION!

Do not pick up flammable substances.

Before picking up dry substances, always ensure that a filter bag is inserted in the tank (see section "Accessories" for order number). Disposal of the picked up material is then simple and hygienic.

After picking up liquids, the filter element is wet. A damp filter element clogs more quickly when dry substances are picked up. For this reason the filter element should be washed and dried or replaced by a dry element before dry substances are picked up.

5.1.2 Picking up liquids

CAUTION!

Do not pick up flammable liquids.

Before liquids are picked up, always remove the filter bag/disposal bag.

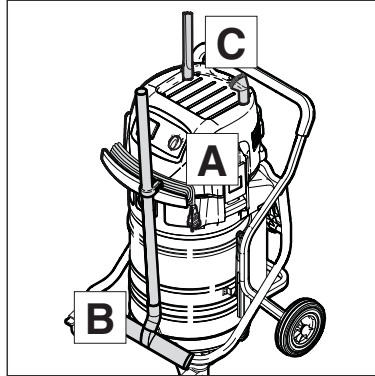
The use of a separate filter element or filter screen is recommended.

If foam appears, stop work immediately and empty the tank.

To reduce the amount of foam, use foam killer Alto Foam Stop (see section "Accessories" for order number).

6 After finishing work

6.1 Switching the vacuum cleaner off and storage



1. Switch off the cleaner and pull the mains plug out of the socket.
2. Wind up the power cord and hang it on the handle (A). Begin winding up the cord at the cleaner end and not the plug end to prevent the power cord from tangling up.
3. Empty the dirt tank and clean the vacuum cleaner.
4. After picking up liquids: Store the upper section of the vacuum cleaner separately so that the filter element can dry.
5. Hang the suction hose with the floor nozzle (B) in the brackets and pack the accessories (C) away.
6. Store the cleaner in a dry room where it is protected from unauthorized use.

EN 7 Maintenance

7.1 Maintenance plan

IVB 961-0L:

		After finishing work	When required
7.2.1	Emptying the dirt tank	●	
7.2.3	Replacing the filter bag		●
7.2.5	Replacing filter element		●

IVB 965-0L SD XC:

		After finishing work	When required
7.2.2	Emptying the dirt tank	●	
7.2.4	Replacing the disposal bag		●
7.2.5	Replacing filter element		●

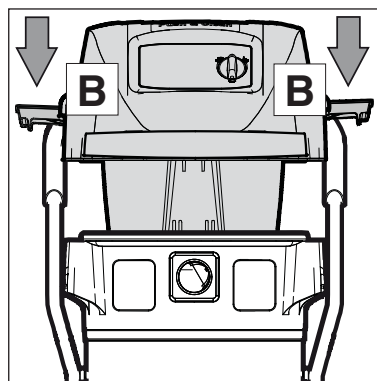
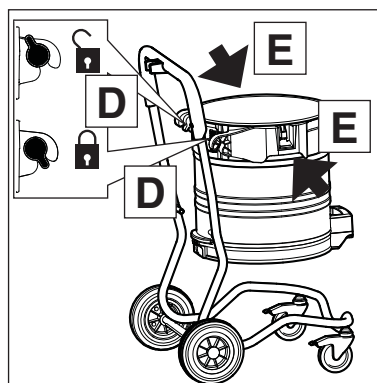
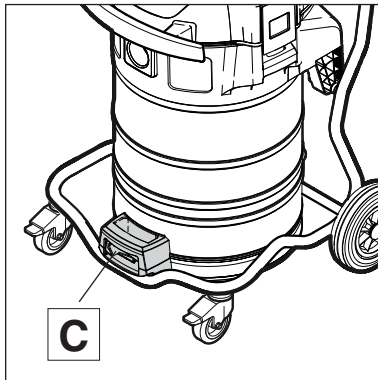
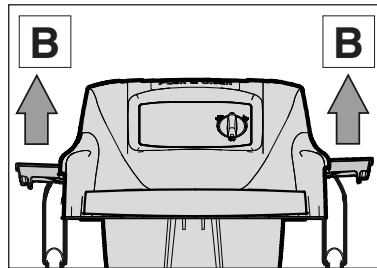
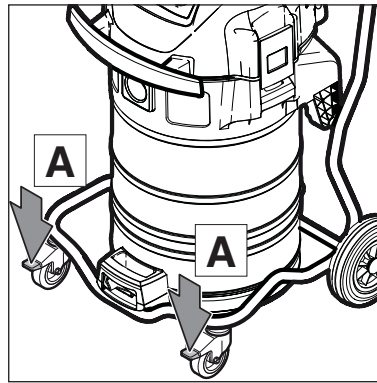
7.2 Maintenance work

7.2.1 Emptying the dirt tank (IVB 961-0L)

Only after picking up harmless dust.

After emptying the tank: clean the rim of the tank and the seals in the intermediate ring and the upper section of cleaner before refitting them. If the seal or groove is dirty or damaged, the suction performance will be reduced.

Before reinserting the suction hose: clean the inlet fitting and hose collar.



1. Switch off the vacuum cleaner and pull the mains plug out of the socket.
2. Apply parking brakes (A) on both castors.

EN

3. Open the retaining clamps (B) and remove the upper section of the vacuum cleaner.

Tilting the dirt tank:

4. Pull the lever in the handle (C) upwards and tilt the tank.
5. Tip out the collected dirt.
6. Dispose of the dirt in accordance with legal regulations.

or

Removing the dirt tank:

4. Open the tank locks (D).
5. Use the handles (E) to lift the tank out of the frame.
6. Tip out the collected dirt.
7. Dispose of the dirt in accordance with legal regulations.
8. Place the empty tank in the frame and close the locks (D).
9. Attach the upper section of the vacuum cleaner.
10. Close the retaining clamps (B). Ensure that the retaining clamps fit properly.

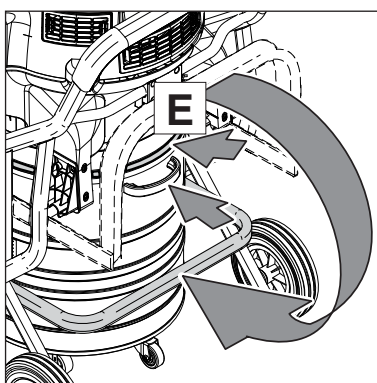
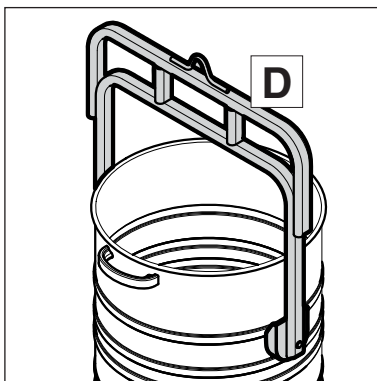
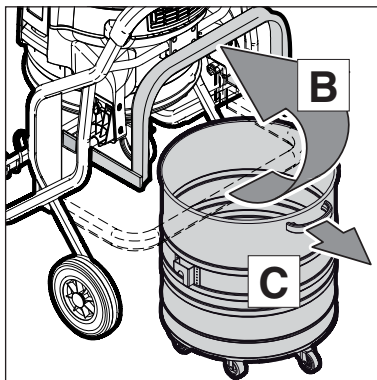
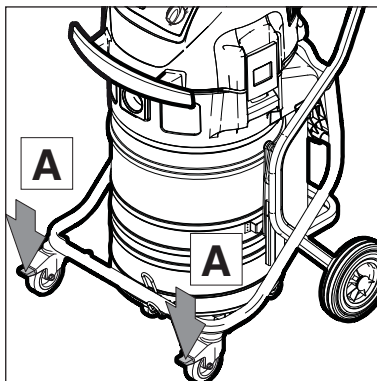
EN

7.2.2 Emptying the dirt tank (IVB 965-0L SD XC)

Only after picking up harmless dust.

After emptying the tank: clean the rim of the tank and the seals in the intermediate ring and the upper section of cleaner before refitting them. If the seal or groove is dirty or damaged, the suction performance will be reduced.

Before reinserting the suction hose: clean the inlet fitting and hose collar.



1. Switch off the vacuum cleaner and pull the mains plug out of the socket.
2. Apply parking brakes (A) on both castors.

Removing the dirt tank:

3. Swing the bar (B) upwards.
4. Use the handle (C) to pull the dirt tank out of the vacuum cleaner.
5. Tipping out the collected dirt: **WARNING!** If heavy dirt has been picked up, never lift the dirt tank alone. Use the FORKLIFT (D), which is available as an accessory.
6. Use a crane or fork lift truck to position the FORKLIFT above the dirt tank.
7. Attach the tank to the accessory.
8. Dispose of the dirt in accordance with legal regulations.

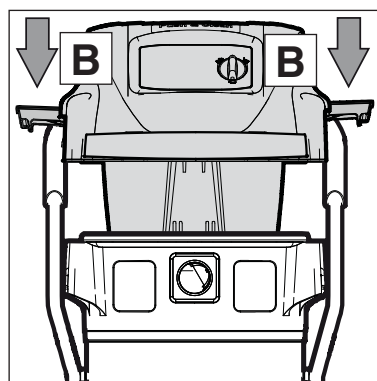
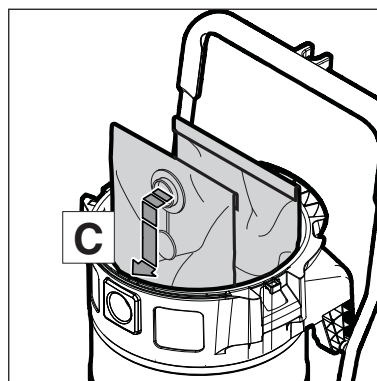
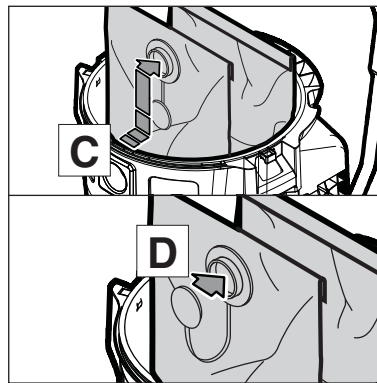
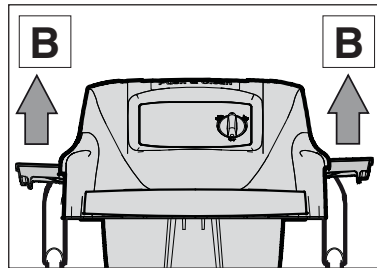
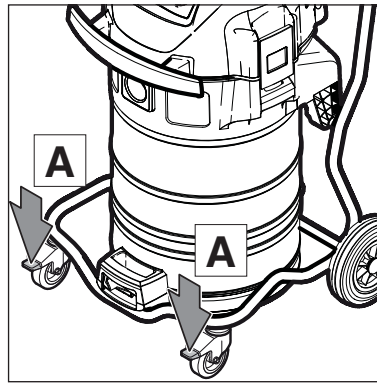
Inserting the dirt tank:

9. Clean the dirt tank.
10. Check the seals (E) between the tank and the upper section of the vacuum cleaner.
11. Push the dirt tank as far as possible into the vacuum cleaner.
12. Swing the bar (B) downwards without forcing it.

7.2.3 Replacing the filter bag (IVB 961-0L)

During the following work, ensure that dust is not unnecessarily spread around. Wear a P2 breathing mask.

If the filter bag has heavy dirt, remove the bag by tilting the tank.



1. Switch off the vacuum cleaner and pull the mains plug out of the socket.
2. Apply parking brakes (A) on both castors.

EN

3. Open the retaining clamps (B) and remove the upper section of the vacuum cleaner.

Removing the filter bag:

4. Carefully remove the filter bag connection from the inlet fitting (C).
5. Close the filter bag connection (1) with the hinged lid.
6. Dispose of the filter bag in accordance with legal regulations.

Inserting the filter bag:

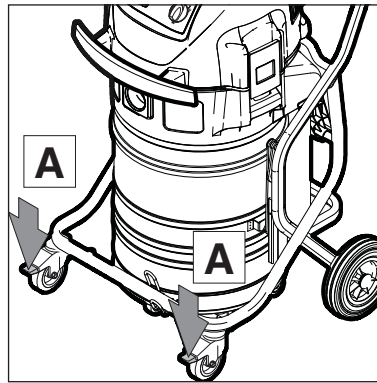
7. Clean the dirt tank.
8. Insert the filter bag in the dirt tank.
9. Press the bush of the new filter bag firmly on to the inlet fitting (C).

10. Attach the upper section of the vacuum cleaner.
11. Close the retaining clamps (B). Ensure that the retaining clamps fit properly.

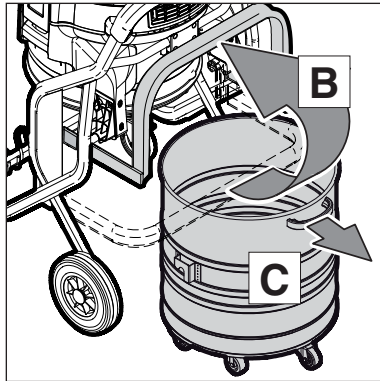
EN

7.2.4 Replacing the disposal bag (IVB 965-0L SD XC)

During the following work, ensure that dust is not unnecessarily spread around. Wear a P2 breathing mask.



1. Switch off the vacuum cleaner and pull the mains plug out of the socket.
2. Apply parking brakes (A) on both castors.

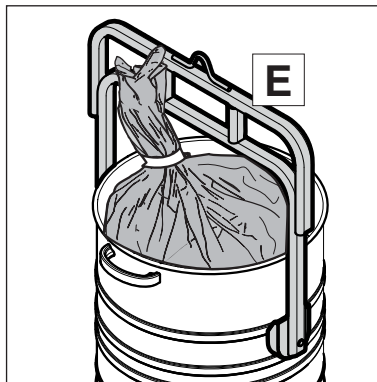


Removing the disposal bag:

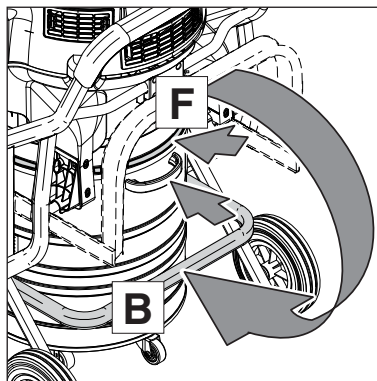
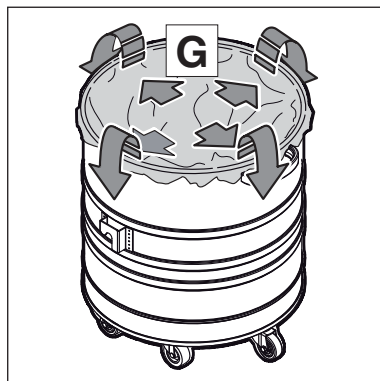
3. Swing the bar (B) upwards.
4. Use the handle (C) to pull the dirt tank out of the vacuum cleaner.
5. Close the disposal bag with string (D) and remove it from the dirt tank.

WARNING!

If heavy dirt has been picked up, never lift the dirt tank alone. Use the FORKLIFT (E), which is available as an accessory.



6. Use a crane or fork lift truck to position the FORKLIFT above the dirt tank.
7. Attach the tank to the accessory.
8. Dispose of the dirt in accordance with legal regulations.



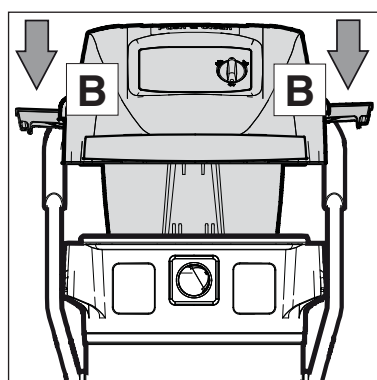
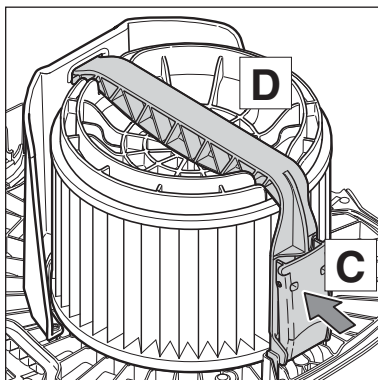
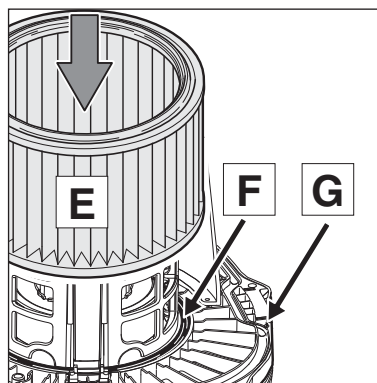
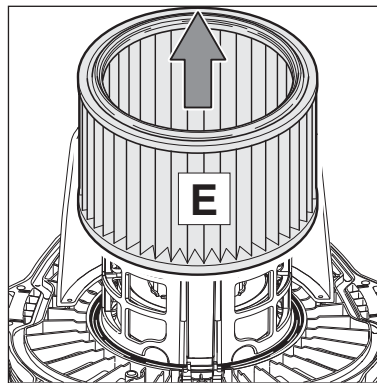
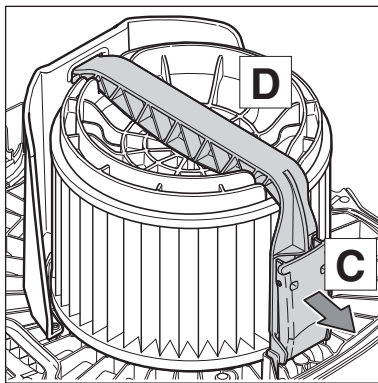
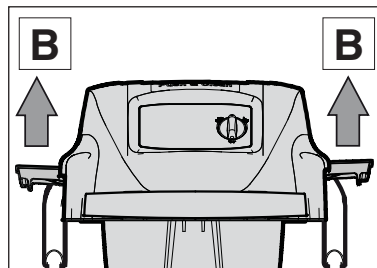
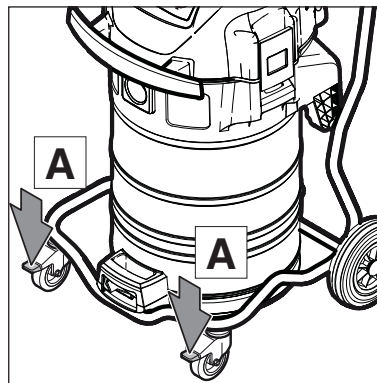
Inserting the disposal bag:

9. Clean the dirt tank.
10. Check the seals (F) between the tank and the upper section of the vacuum cleaner.
11. Insert the disposal bag (G) in the dirt tank.
12. Fold the top edge of the disposal bag over the rim of the dirt tank.
13. Push the dirt tank as far as possible into the vacuum cleaner.
14. Swing the bar (B) downwards without forcing it.

7.2.5 Replacing filter element

During the following work, ensure that dust is not unnecessarily spread around. Wear a P2 breathing mask.

Never use the vacuum cleaner without a filter.



1. Switch off the vacuum cleaner and pull the mains plug out of the socket.
2. Apply parking brakes (A) on both castors.

EN

3. Open the retaining clamps (B) and remove the upper section of the vacuum cleaner.

Removing the filter element:

4. Lay the upper section of the cleaner down with the filter element facing upwards.
5. Open the bar handle (C) and remove it.
6. Remove the filter holder (D).
7. Carefully remove the filter element (E).
8. Dispose of the used filter element in accordance with legal regulations.

Inserting the filter element:

9. Clean the filter seal (F). Check it for damage and replace it if necessary.
10. Check the antistatic pin (G) for damage. If necessary, have it replaced by Nilfisk-Advance Service.
11. Push new filter element (E) onto the filter holder.
12. Attach filter holder (D).
13. Attach bar (C) and close.
14. Attach the upper section of the vacuum cleaner.
15. Close the retaining clamps (B). Ensure that the retaining clamps fit properly.

EN 8 Troubleshooting

Fault	Cause	Remedy
‡ Motor does not start	<ul style="list-style-type: none"> > Fuse of the mains socket has blown. > Overload protection switch has tripped. > Motor is faulty. 	<ul style="list-style-type: none"> • Connect mains fuse. • Switch off the vacuum cleaner and allow it to cool for approx. 5 minutes. If the cleaner cannot be started again, contact the Nilfisk-Advance service department. • Have motor changed by Nilfisk-Advance Service.
‡ Reduced suction power	<ul style="list-style-type: none"> > Suction power selected with suction power control is too low. > Clogged suction hose/nozzle. > Tank, disposal bag or filter bag is full. > Filter element is clogged. > Seal between tank and upper section of vacuum cleaner is faulty or missing. > Cleaning mechanism is defective. 	<ul style="list-style-type: none"> • Set suction power in accordance with section „Setting suction power“. • Clean suction hose/nozzle • See "Emptying tank" or "Replacing disposal bag, filter bag" sections. • See section „Cleaning filter element“ and „Replacing filter element“. • Replace seal. • Contact Nilfisk-Advance Service.
‡ No suction power during wet cleaning (IVB 961-0L)	<ul style="list-style-type: none"> > Tank is full. 	<ul style="list-style-type: none"> • Switch off the cleaner. Empty the tank.
‡ Voltage fluctuations	<ul style="list-style-type: none"> > Impedance of power supply is too high. 	<ul style="list-style-type: none"> • Connect the cleaner to another socket closer to the fuse box. Voltage fluctuations over 7% should not occur if the impedance at the transfer point is $\leq 0.15 \Omega$.

9 Further information

9.1 Recycling the cleaner

Make the old cleaner unusable immediately.

1. Unplug the cleaner.
2. Cut the power cord.
3. Do not discard of electrical appliances with household waste.



As specified in European Directive 2002/96/EC on old electrical and electronic appliances, used electrical goods must be collected separately and recycled ecologically. Contact your local authorities or your nearest dealer for further information.

9.2 Guarantee

Our general conditions of business are applicable with regard to the guarantee.



Unauthorised modifications to the appliance, the use of incorrect brushes in addition to using the appliance in a way other than for the intended purpose exempt the manufacturer from any liability for the resulting damage.

9.3 Tests and approvals

Electrical tests must be performed in accordance with the provisions of safety regulations (VBG4) and to DIN VDE 0701 Part 1 and Part 3. In accordance with DIN VDE 0702 these tests must be performed at regular intervals and after repairs or modifications.

The vacuum cleaner has been approved in accordance with IEC/EN 60335-2-69.

9.4 EC declaration of conformity

 EC conformity declaration	
Product:	Vacuum cleaner for wet and dry operation
Type:	IVB 961-0L IVB 965-0L SD XC
The design of the unit corresponds to the following pertinent regulations:	EC Machine Directive 2006/42/EC EC EMC Directive 2004/108/EC EC - RoHS Directive 2011/65/EC
Applied harmonised standards:	EN ISO 12100-1, EN ISO 12100-2 EN 60335-1, EN 60335-2-69, EN 55014-1, EN 55014-2, EN 61000-3-2
Applied international standards and technical specifications:	IEC 60335-2-69 (2009) IEC 60335-1
Name and address of the person authorised to compile the technical file:	Anton Sørensen General Manager, Technical Operations EAPC Nilfisk-Advance A/S Sognevej 25 DK-2605 Brøndby
Identity and signature of the person empowered to draw up the declaration on behalf of the manufacturer:	 Anton Sørensen General Manager, Technical Operations EAPC Nilfisk-Advance A/S Sognevej 25 DK-2605 Brøndby
Place and date of the declaration:	Hadsund, 2013-09-26



9.5 Technical data

		IVB	
		961-0L	965-0L SD XC
Voltage	V	230 (EU,GB) 110 (GB)	
Mains frequency	Hz	50/60	
Fuse	A	13 (GB 230V) 16 (EU) 32 (GB 110 V)	
Power consumption _{max}	W	2 x 1150 (GB 110 V) 2 x 1500 (EU,GB)	
Power consumption _{IEC}	W	2 x 1000 (GB 110 V) 2 x 1200 (EU, GB)	
Air flow rate	m ³ /h l/min	2 x 216 (EU, GB) / 2 x 174 (GB 110 V) 2 x 3600 (EU, GB) / 2 x 2900 (GB 110 V)	
Vacuum	hPa/mbar kPa	230 (EU, GB) / 210 (GB 110 V) 23 (EU, GB) / 21 (GB 110 V)	
Sound pressure level at a distance of 1 m, EN 60704-1	dB(A)	70 ± 2	
Sound level	dB(A)	67 ± 2	
Power cord: Length	m	10	
Power cord: Type		H07RN-F3G1.5 mm ² (EU, GB 230 V) H07RN-F3G2.5 mm ² (GB 110 V)	
Protection class		I	
Type of protection (splash water protected)		IP X4	
Radio interference level		EN 55014-1	
Tank volume	l	70	50
Width	mm	610	640
Depth	mm	645	725
Height	mm	985	1020
Weight	kg	36	42

9.6 Optional accessories

Description	Order No.
Filter bag (5 pcs.) IVB 961-0L	302002892
Disposal bag (5 pcs.) IVB 965-0L SD XC	302001480
Filter element	107400562
Cloth insert filter	302002894
Alto-Foam-Stop (6 x 1 l)	8469

HEAD QUARTER

DENMARK

Nilfisk-Advance A/S
Sognevej 25
DK-2605 Brøndby
Tel.: (+45) 4323 8100
www.nilfisk-advance.com

SALES COMPANIES

ARGENTINA

Nilfisk – Advance S.R.L.
Herrera 1855 6º piso Of. A-604
CP 1293 – Ciudad Autónoma de Buenos Aires
www.nilfisk.com.ar

AUSTRALIA

Nilfisk-Advance
Unit 1, 13 Bessemer Street Blacktown
NSW 2148 Australia
www.nilfisk.com.au

AUSTRIA

Nilfisk-Advance
Metzgerstrasse 68
A-5101 Bergheim/Salzburg
www.nilfisk.at

BELGIUM

Nilfisk-Advance NV/SA.
Riverside Business Park
Boulevard Internationale 55
Bruxelles 1070
www.nilfisk.be

CHILE

Nilfisk-Advance S.A.
San Alfonso 1462, Santiago
www.nilfisk.com

CHINA

Nilfisk-Advance Cleaning Equipment (Shanghai) Ltd.
No. 4189 Yindu Road
Xinzhuan Industrial Park
Shanghai 201108
www.nilfisk.cn

CZECH REPUBLIC

Nilfisk-Advance s.r.o.
VGP Park Horní Pocernice
Budova H2, Do Certous 1
Praha 190 00
www.nilfisk.cz

DENMARK

Nilfisk Danmark
Sognevej 25
DK-2605 Brøndby
www.nilfisk-advance.com

FINLAND

Nilfisk-Advance Oy Ab
Koskelontie 23E
02920 Espoo
www.nilfisk.fi

FRANCE

Nilfisk-Advance
26 Avenue de la Baltique
Villebon sur Yvette
BP 246
91944 Courtaboeuf Cedex
www.nilfisk.fr

GERMANY

Nilfisk
Geschäftsbereich der Nilfisk-Advance AG
Siemensstrasse 25-27
25462 Rellingen
www.nilfisk.de

GREECE

Nilfisk-Advance A.E.
8, Thoukididou Str.
Argiroupoli, Athens, GR-164 52
www.nilfisk.gr

HOLLAND

Nilfisk-Advance BV
Versterkerstraat 5
1322 AN Almere
www.nilfisk.nl

HONG KONG

Nilfisk-Advance Ltd.
Room 2001 HK Worsted Mills, Industrial Building
31-39 Wo Tong Tsui Street
Hong Kong, Kwai Chung, N.T.
www.nilfisk.com

HUNGARY

Nilfisk-Advance Kereskedelmi Kft.
H-2310 Szigetszentmiklós-Lakihegy
II. Rákóczi Ferenc út 10
www.nilfisk.hu

INDIA

Nilfisk-Advance India Limited
Pramukh Plaza, "B" Wing, 4th floor, Unit No. 403
Cardinal Gracious Road, Chakala
Andheri (East), Mumbai 400 099
www.nilfisk.com

IRELAND

Nilfisk-Advance
1 Stokes Place
St. Stephen's Green
Dublin 2, Ireland
www.nilfisk.ie

ITALY

Nilfisk-Advance S.p.A.
Strada Comunale della Braglia, 18
26862 Guardamiglio (LO)
www.nilfisk.it

JAPAN

Nilfisk-Advance Inc.
1-6-6 Kita-shinyokohama
Kouhoku-ku
Yokohama, 223-0059
www.nilfisk-advance.co.jp

KOREA

Nilfisk-Advance Korea
471-4, Kumwon B/D 2F
Gunja-Dong, Gwangjin-Gu, Seoul
www.nilfisk-advance.kr

MALAYSIA

Nilfisk-Advance Sdn Bhd
SD 33, Jalan KIP 10
Taman Perindustrian KIP
Sri Damansara
52200 Kuala Lumpur
Malaysia
www.nilfisk.com

MEXICO

Nilfisk Advance de Mexico S. de R.L. de C.V.
Agustin M. Chavez 1, PB-004
Col. Centro Ciudad Santa Fe
C.P. 01210 México, D.F.
www.nilfisk-advance.com.mx

NEW ZEALAND

Nilfisk-Advance NZ Ltd
Danish House
6 Rockridge Avenue
Penrose Auckland NZ 1135
www.nilfisk.com.au

NORWAY

Nilfisk-Advance AS
Bjørnerudveien 24
N-1266 Oslo
www.nilfisk.no

POLAND

Nilfisk-Advance Sp. z o.o
ul. 3-go Maja 8, Bud. B4
Pruszków, PL-05-800
www.nilfisk.pl

PORTUGAL

Nilfisk-Advance
Sintra Business Park
Zona Industrial Da Abrunheira
Edificio 1, 1º A
P2710-089 Sintra
www.nilfisk.pt

RUSSIA

Nilfisk-Advance LLC
Vyatskaya str. 27, bld. 7, 1st floor
Moscow, 127015
www.nilfisk.ru

SOUTH AFRICA

WAP South Africa (Pty) Ltd
12 Newton Street
1620 Spartan, Kempton Park
www.wap.co.za

SPAIN

Nilfisk-Advance, S.A.
Torre D'Ara
Passeig del Rengle, 5 Plta. 10ª
Mataró, E-0830222
www.nilfisk.es

SWEDEN

Nilfisk
Sjöbjörnsvägen 5
117 67 Stockholm
www.nilfisk.se

SWITZERLAND

Nilfisk-Advance AG
Ringstrasse 19
Kirchberg/Industrie Stelz
Wil, CH-9500
www.nilfisk.ch

TAIWAN

Nilfisk-Advance Ltd.
Taiwan Branch (H.K.)
No. 5, Wan Fang Road, Taipei
www.nilfisk-advance.com.tw

THAILAND

Nilfisk-Advance Co. Ltd.
89 Soi Chokechai-Ruammitr
Viphavadee-Rangsit Road
Jomphol, Jatuchak
Bangkok 10900
www.nilfisk.com

TURKEY

Nilfisk-Advance A.S.
Şerifali Mh. Bayraktar Bulv. Sehit Sk. No: 7
Ümraniye, Istanbul 34775
www.nilfisk.com.tr

UNITED KINGDOM

Nilfisk (A Division of Nilfisk-Advance Ltd)
Nilfisk House
24 Hillside Road
Bury St Edmunds, Suffolk
IP32 7EA
www.nilfisk.co.uk

UNITED ARAB EMIRATES

Nilfisk-Advance Middle East Branch
SAIF-Zone, P. O. Box 122298
Sharjah
www.nilfisk.com

VIETNAM

Northern
Nilfisk-Advance Co.Ltd.
No.51 Doc Ngu Str.
Lieu Giai Ward
Ba Dinh Dist. Hanoi
www.nilfisk.com

Southern

Pan Trading JSC
236/43/2 Dien Bien
Phu Str. Ward 17
Binh Thanh Dist. HCMC
www.nilfisk.com