

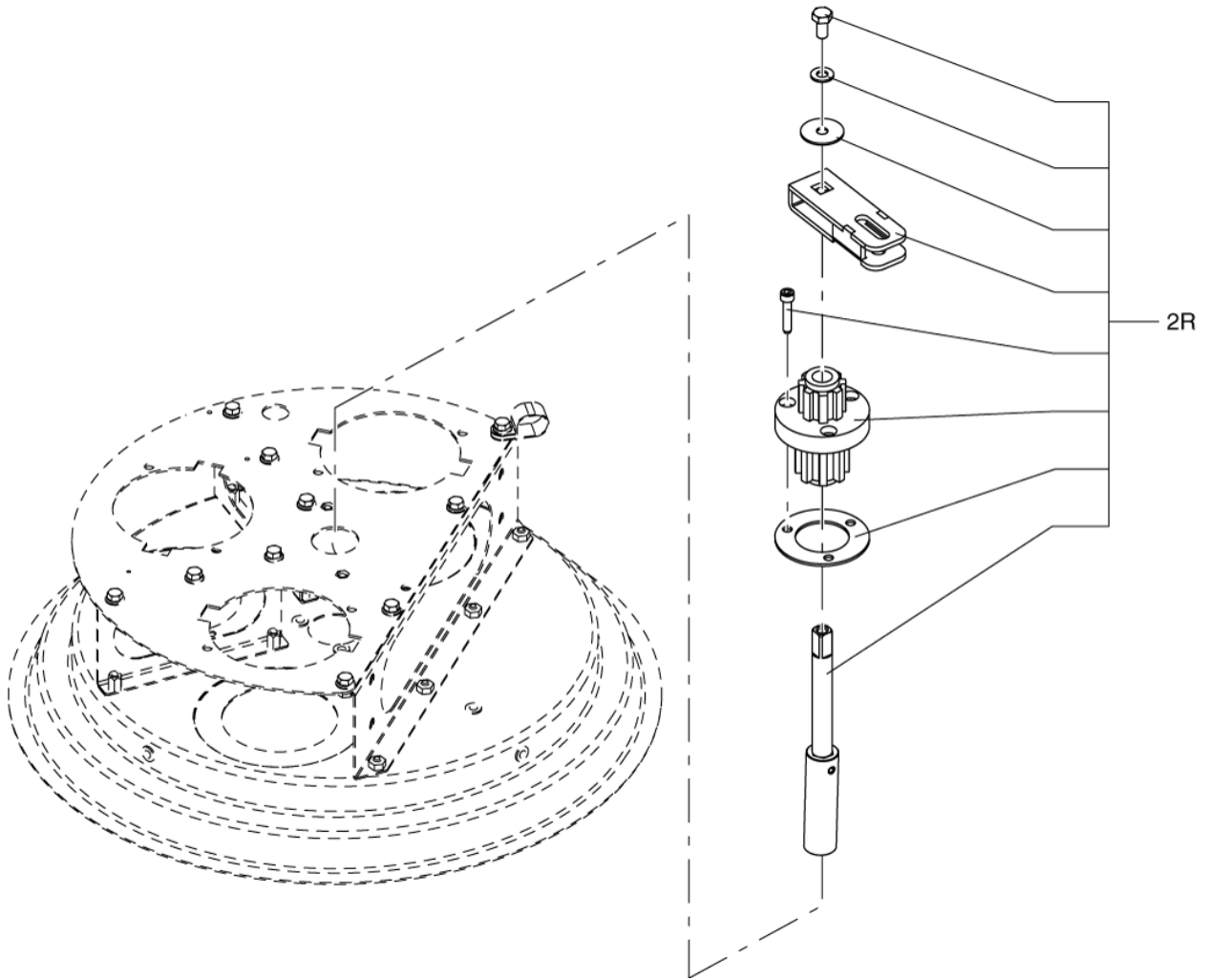
PARTS LIST



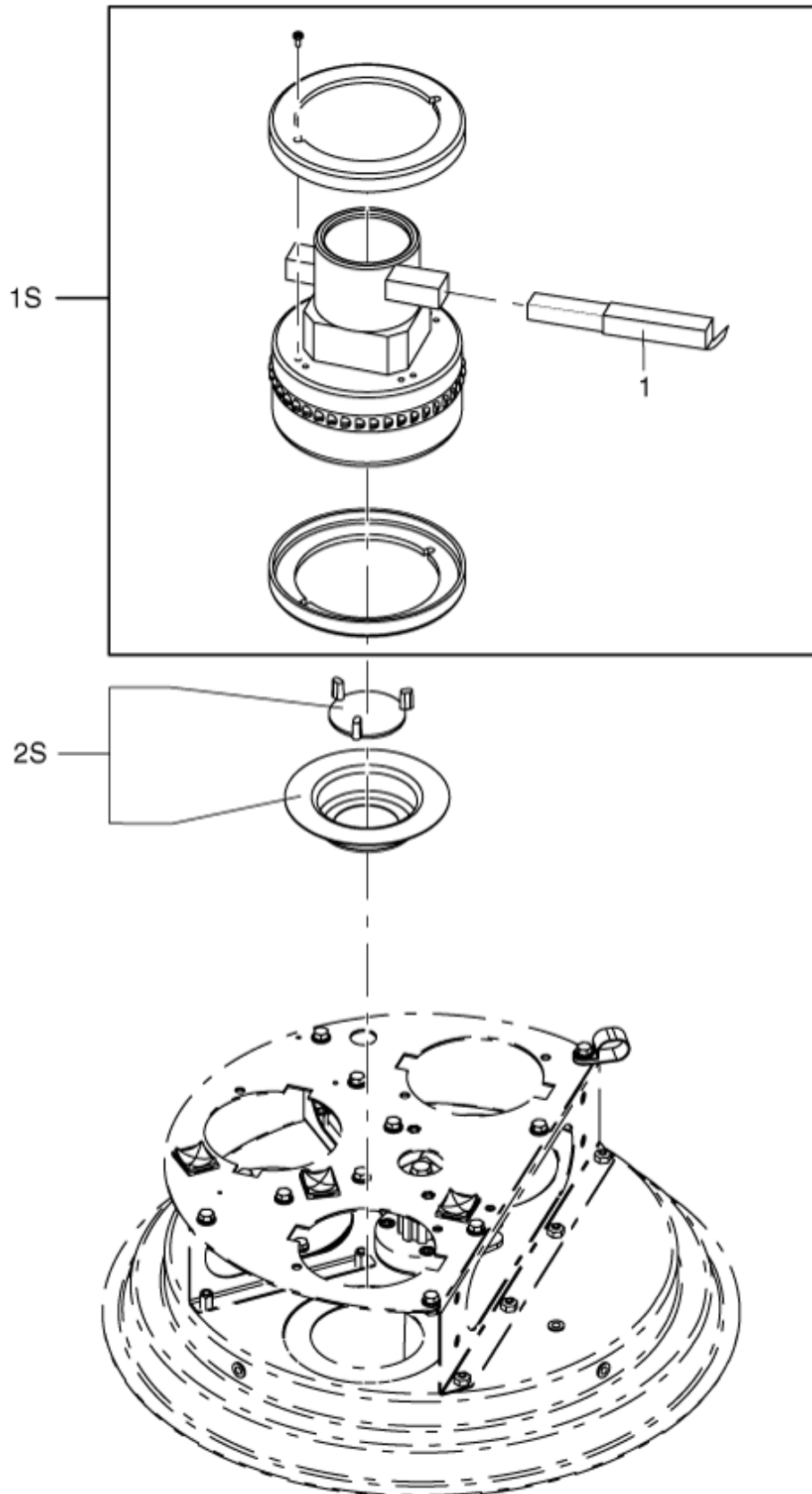
2018.02.06

TABLE OF CONTENTS

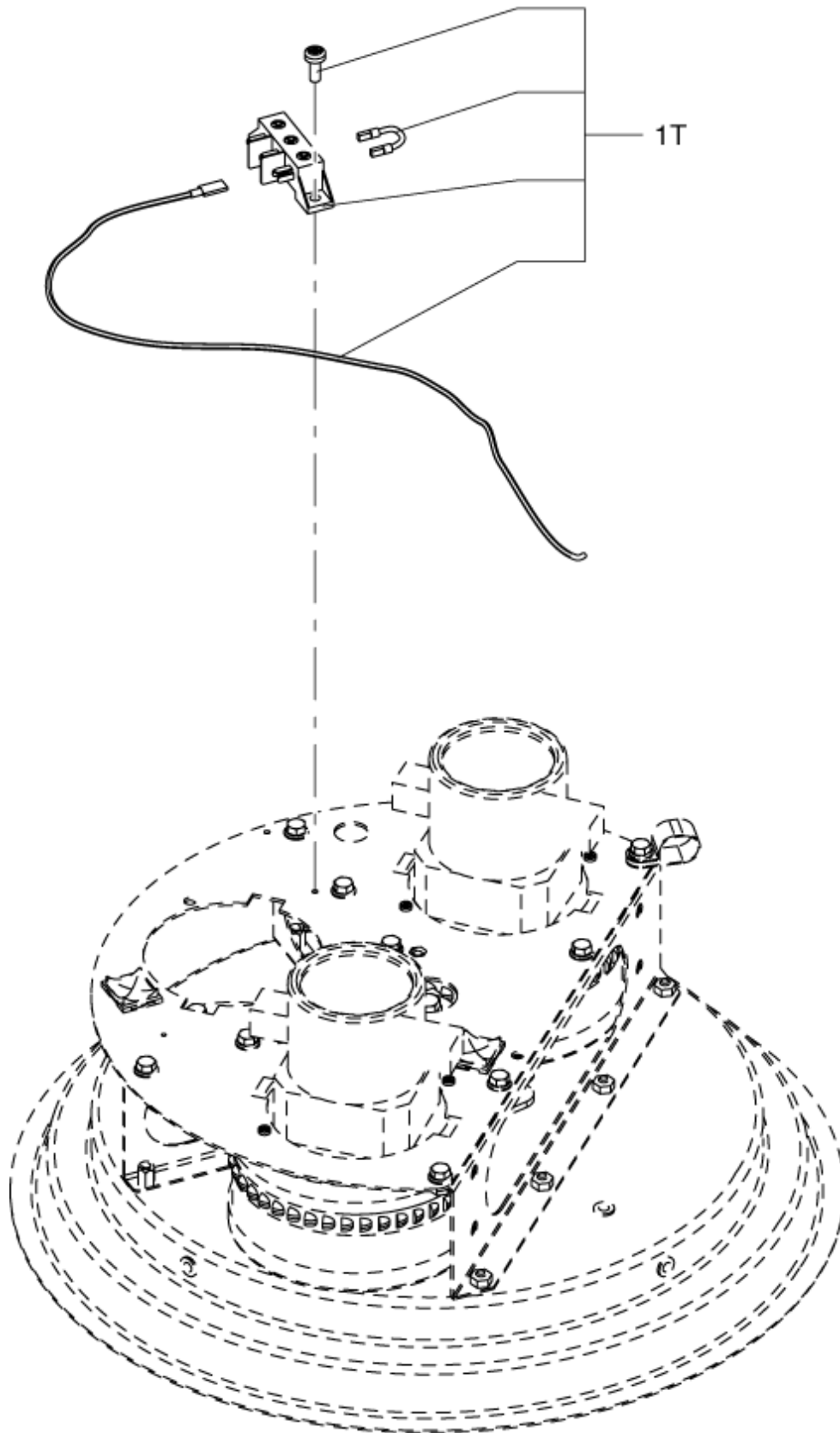
Suction unit 03	1
Suction unit 04	3
Suction unit 05	5
Suction unit 06	7
Suction unit 07	9
Suction unit 08	11
Suction unit 09	13
Suction unit 10	15
Liquid kit	17
Cyclon kit	19
Filter group	21
Absolute filter	23
Suction unit 01	25
Suction unit 02	27
Car 01	29
Car 02	31
Car 03 (mod. L)	33
Car 04	35
Container unit	37
Car 03 (mod. M)	39
OPTIONALS	41



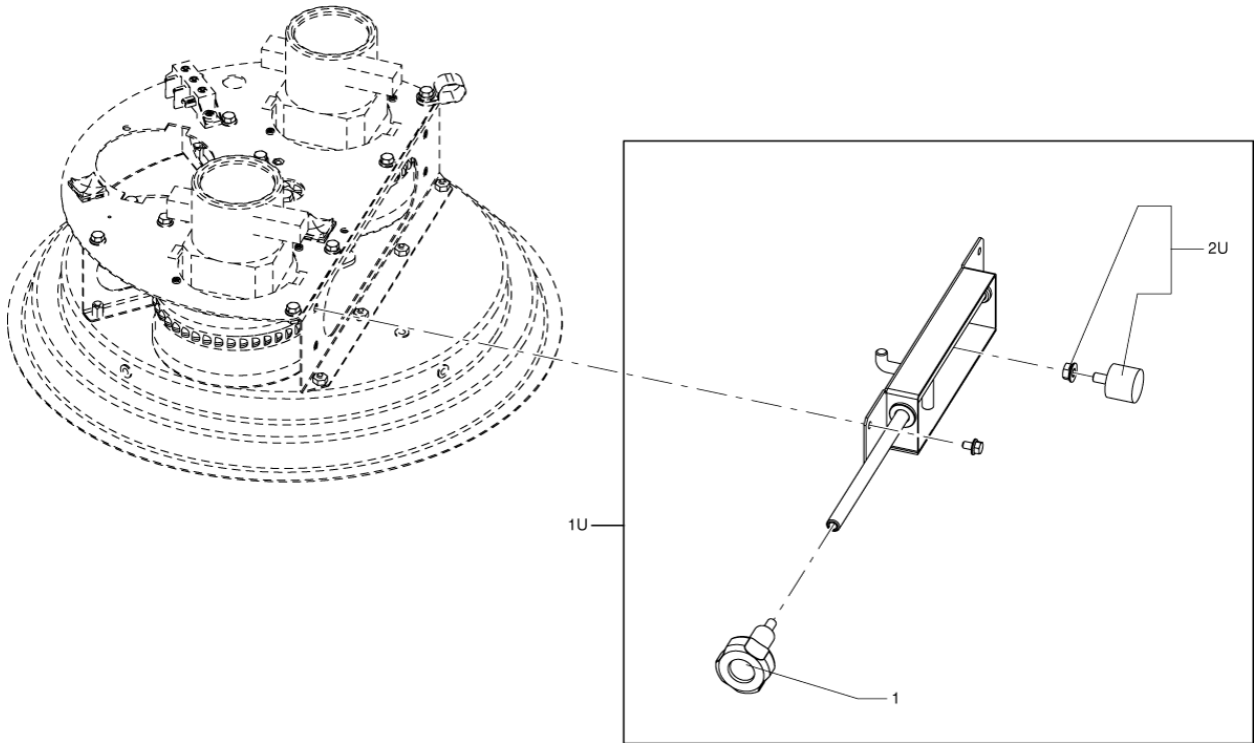
No.	Part No.	Qty.	Description	Part Note
02R	40000900	1	FILTERSHAKER DEVICE KIT	



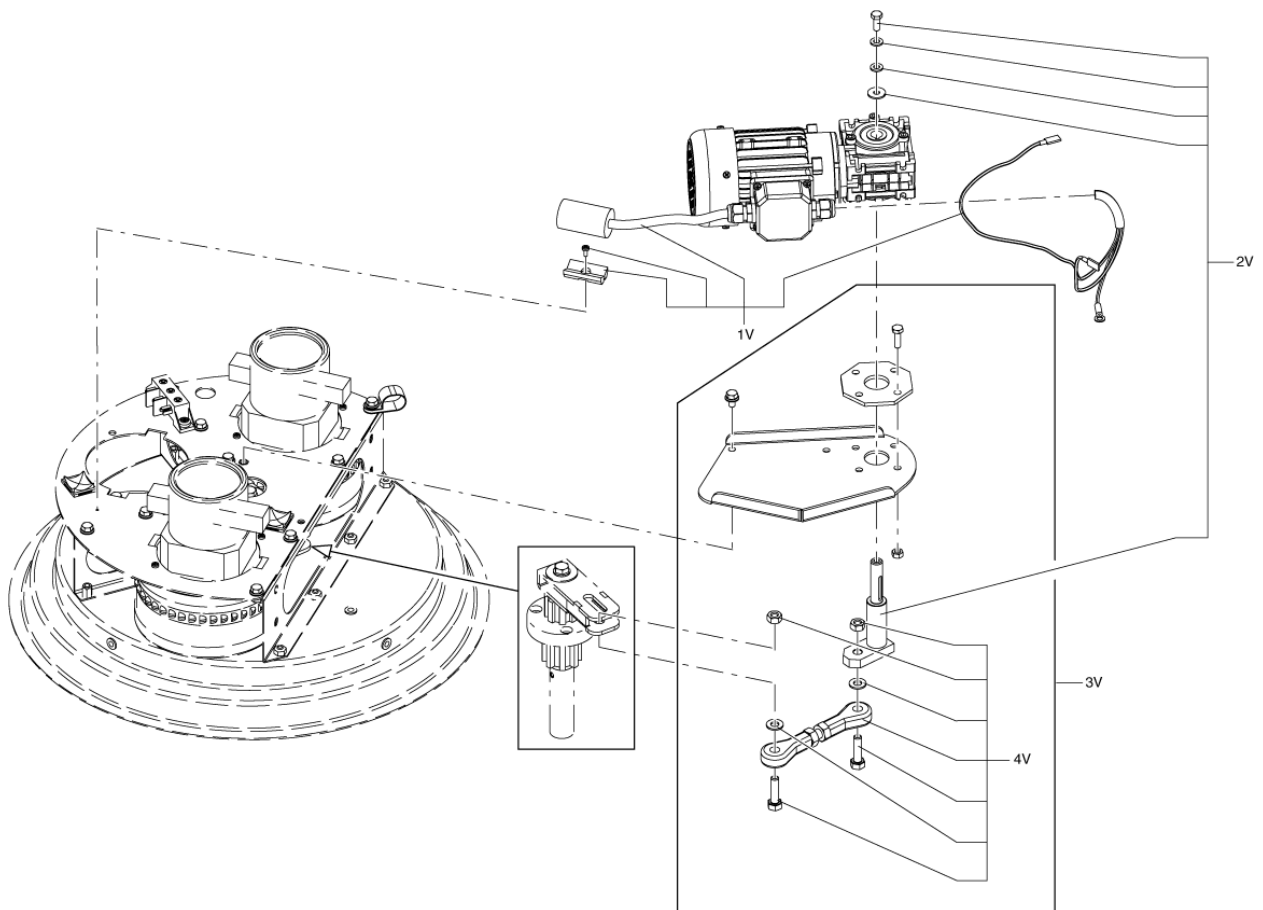
No.	Part No.	Qty.	Description	Part Note
01	40000885	1	MOTOR BRUSH KIT V230	
01	40000886	1	MOTOR BRUSH KIT V120	
01S	40000937	1	MOTOR KIT V230	
01S	40000938	1	MOTOR KIT V110 UK	
02S	40000902	1	BUTTERFLY VALVE KIT	



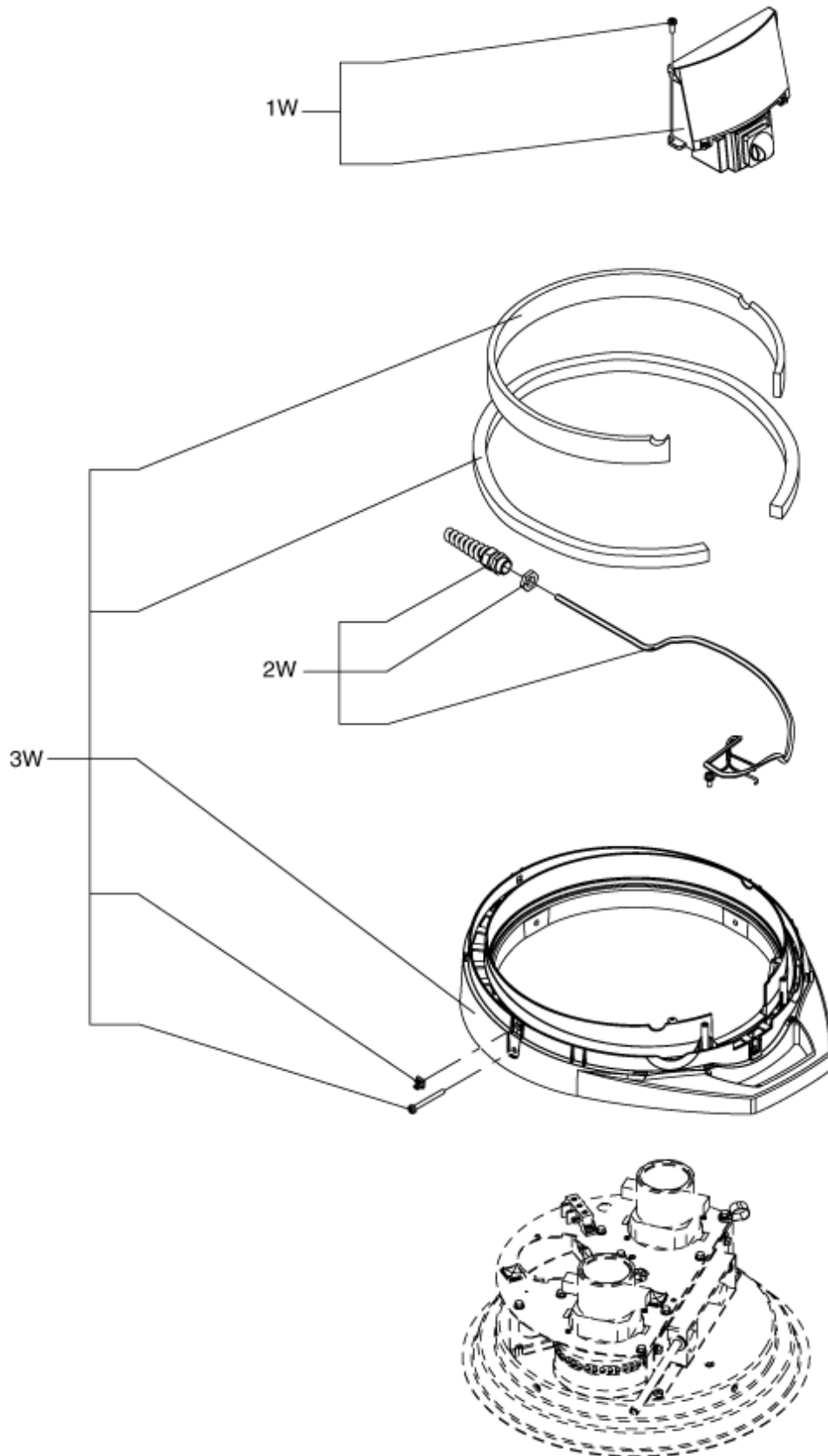
No.	Part No.	Qty.	Description	Part Note
01T	40000905	1	CABLE KIT FOR MOTORHEAD	



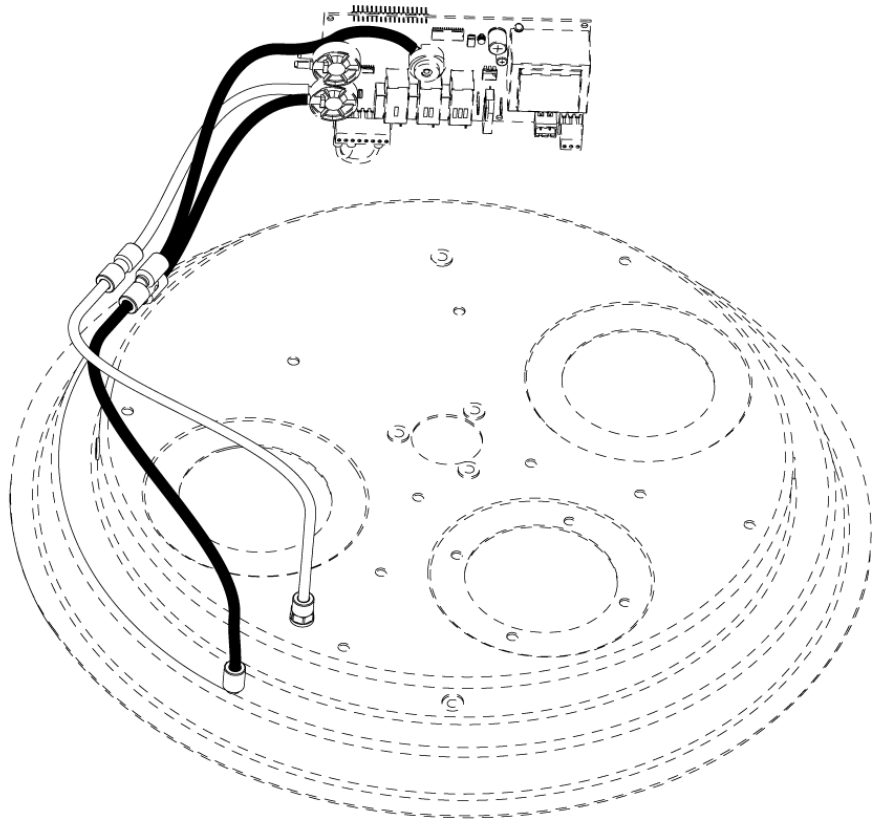
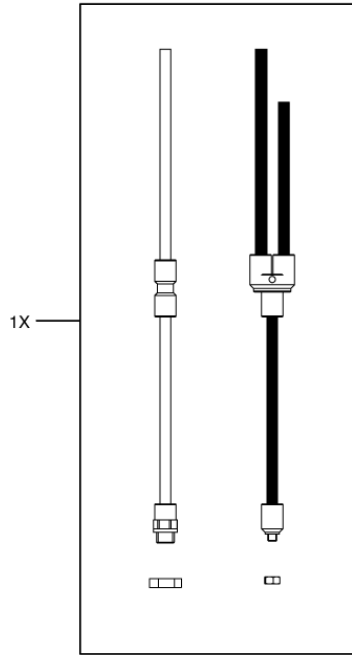
No.	Part No.	Qty.	Description	Part Note
01	4084001012	1	KNOB M8 FOR FIL SHAKER	
01U	40000906	1	FILTERSHAKER KIT	
02U	40000907	1	PUFFER KIT	



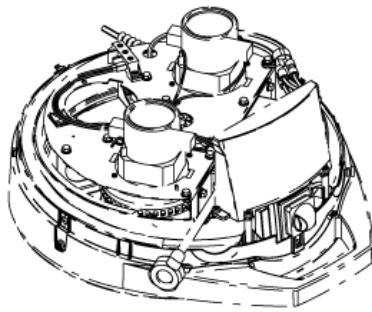
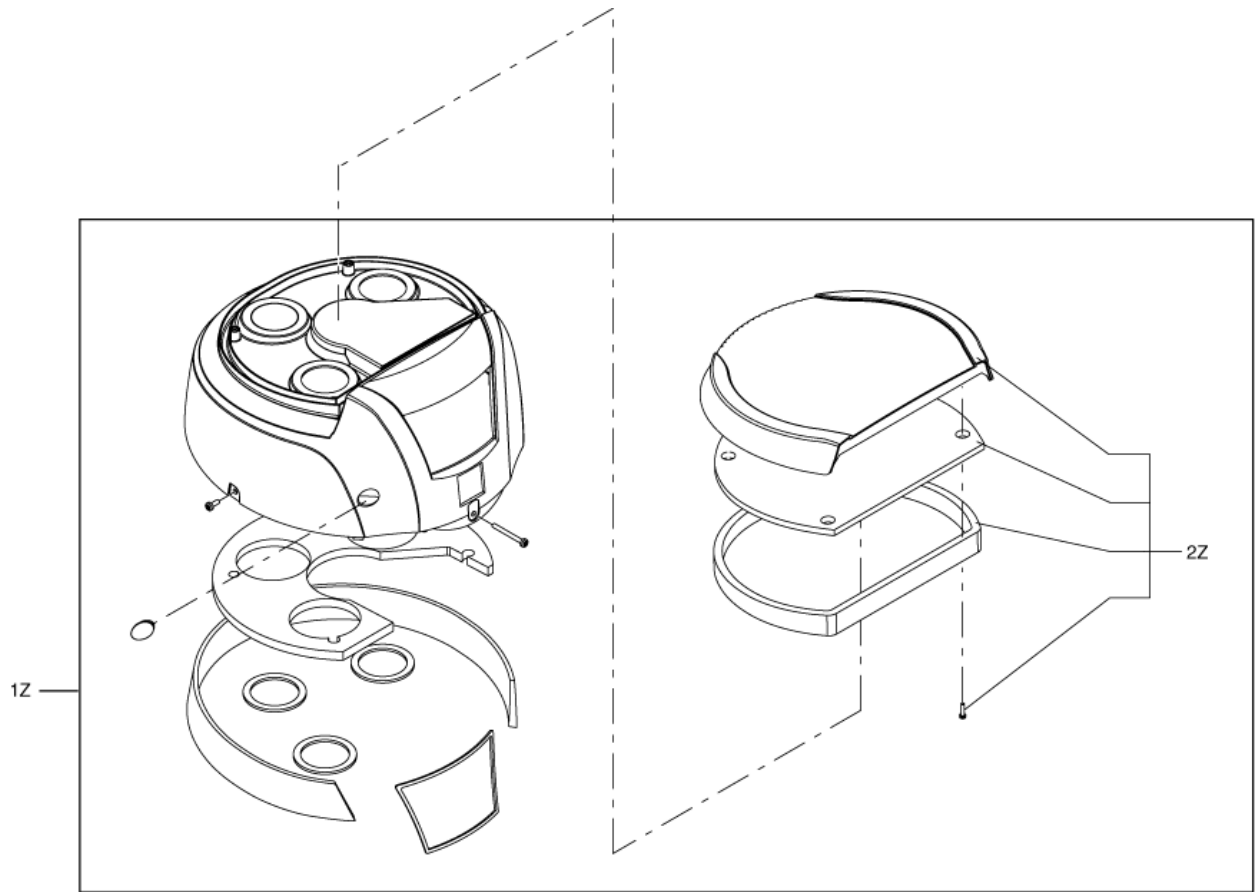
No.	Part No.	Qty.	Description	Part Note
01V	4085600142	1	MOTORREDUCERXSE D460 S2-S3	
01V	4085600143	1	MOTOR RED.SE D460 M.S2-S3V110 UK	
02V	40000920	1	GEARMOTOR SHAFT KIT	
03V	40000918	1	GEARMOTOR FIXING KIT	
04V	40000919	1	FILTERSHAKER JOINT KIT	



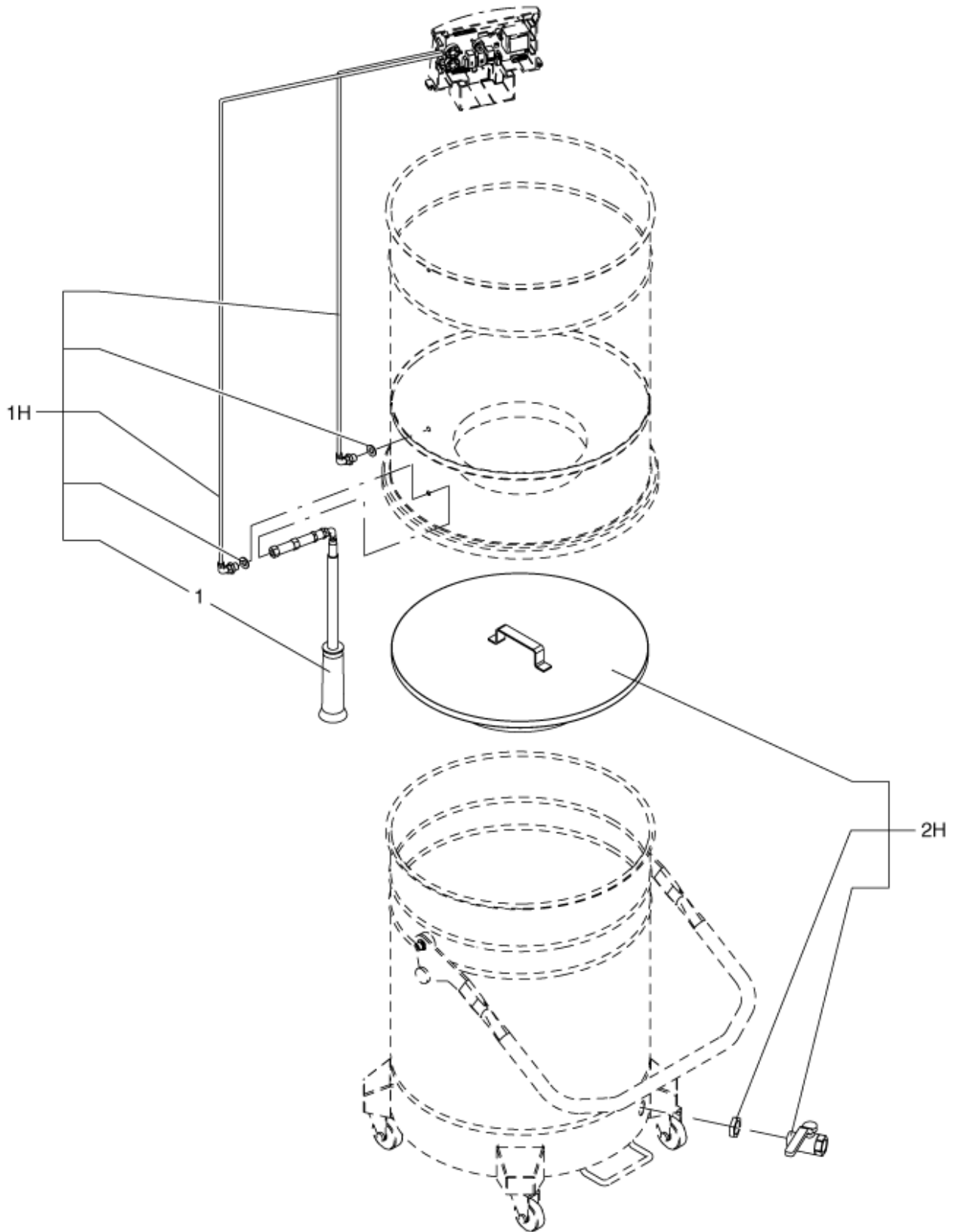
No.	Part No.	Qty.	Description	Part Note
01W	40000922	1	KEYBOARD KIT 3 MOTORS 110V UK	
01W	40000921	1	KEYBOARD KIT 3 MOTORS	
02W	40000913	1	CABLE KIT V230 UK	
02W	40000909	1	CABLE KIT V230 EU	
02W	40000910	1	S2B CABLE KIT V110 UK	
03W	40000908	1	DIFFUSER KIT	



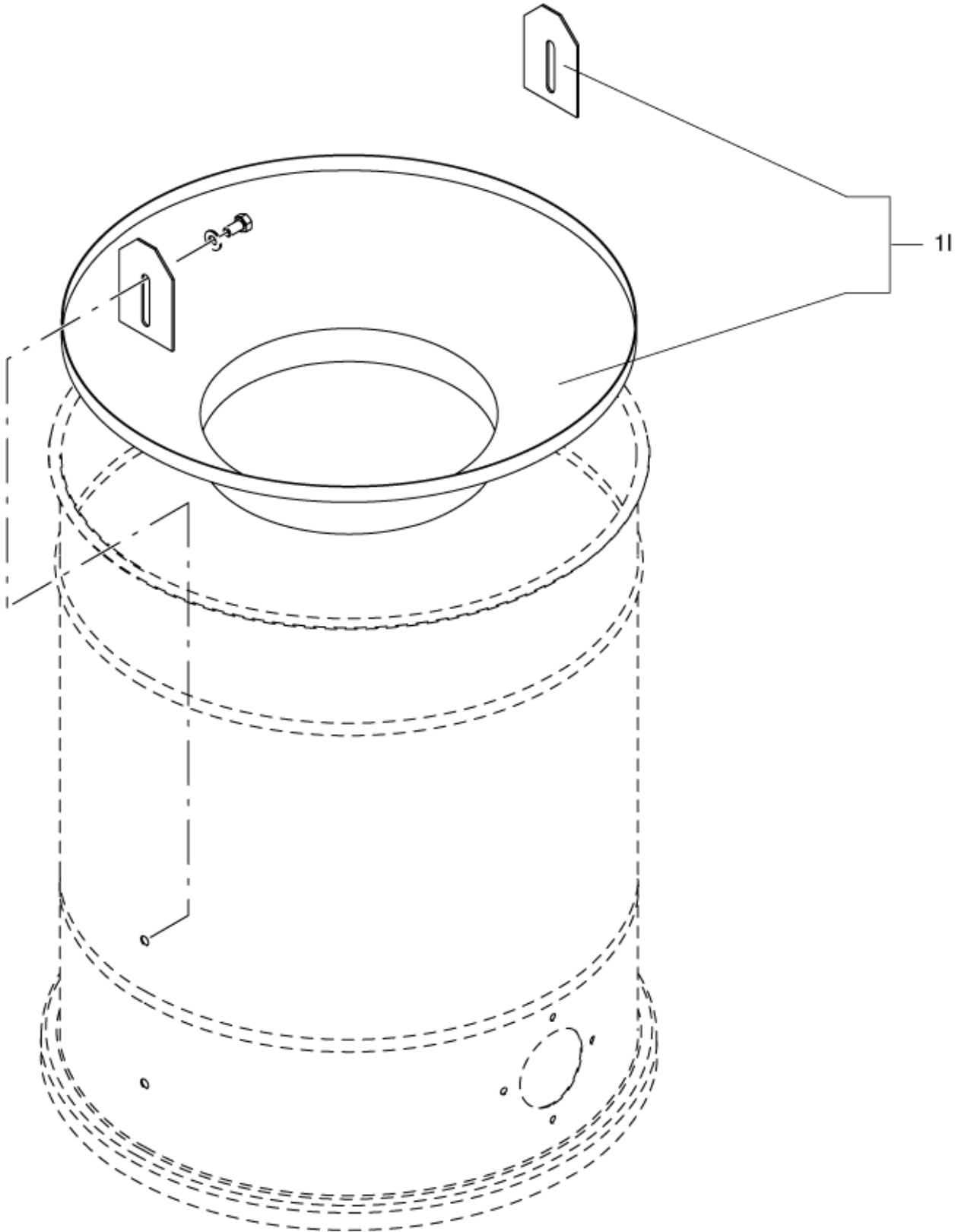
No.	Part No.	Qty.	Description	Part Note
01X	40000914	1	FILTER SENSOR HOSE KIT	



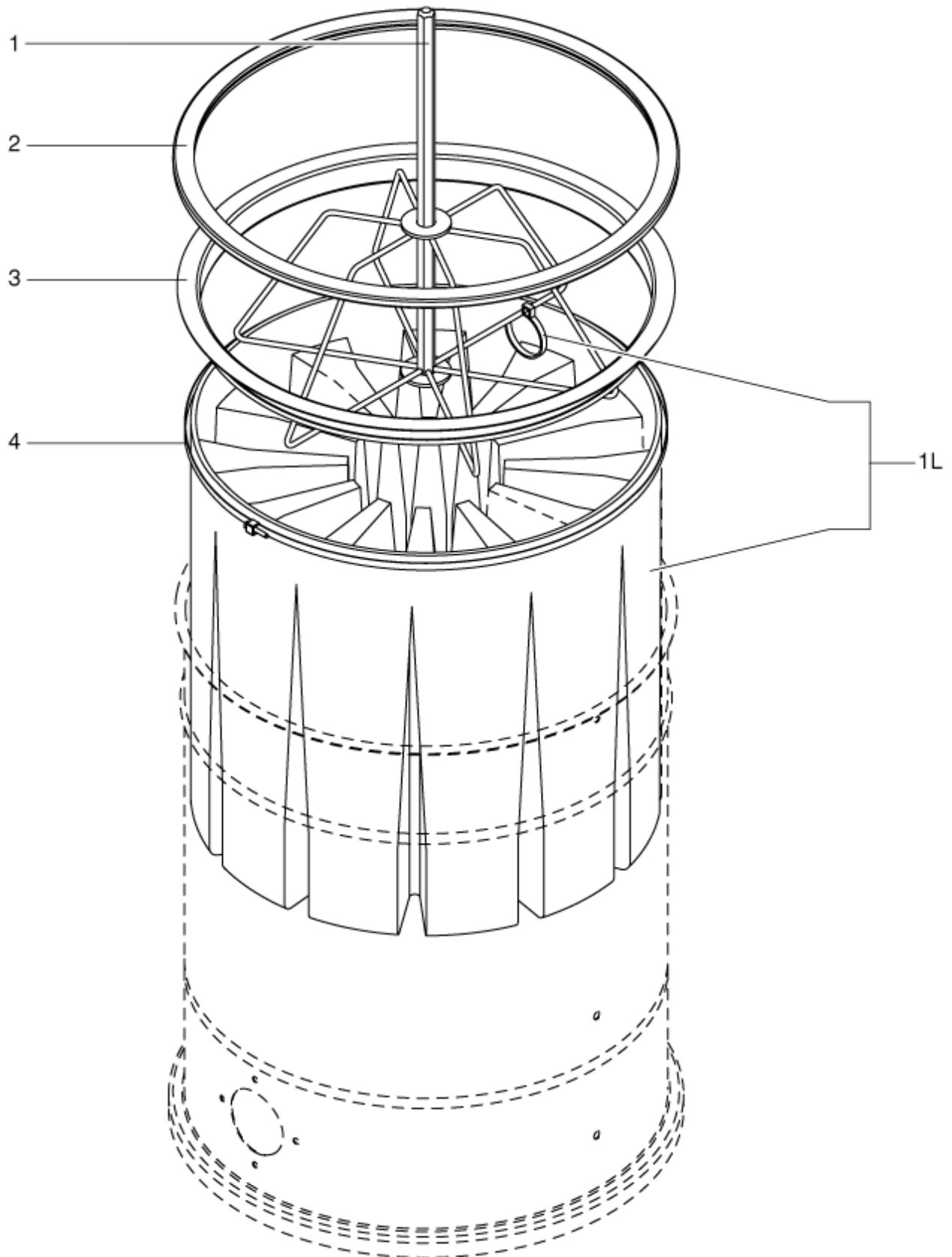
No.	Part No.	Qty.	Description	Part Note
01Z	40000917	1	COMPLETE COVER KIT	
02Z	40000916	1	AIR INTAKE COVER KIT	



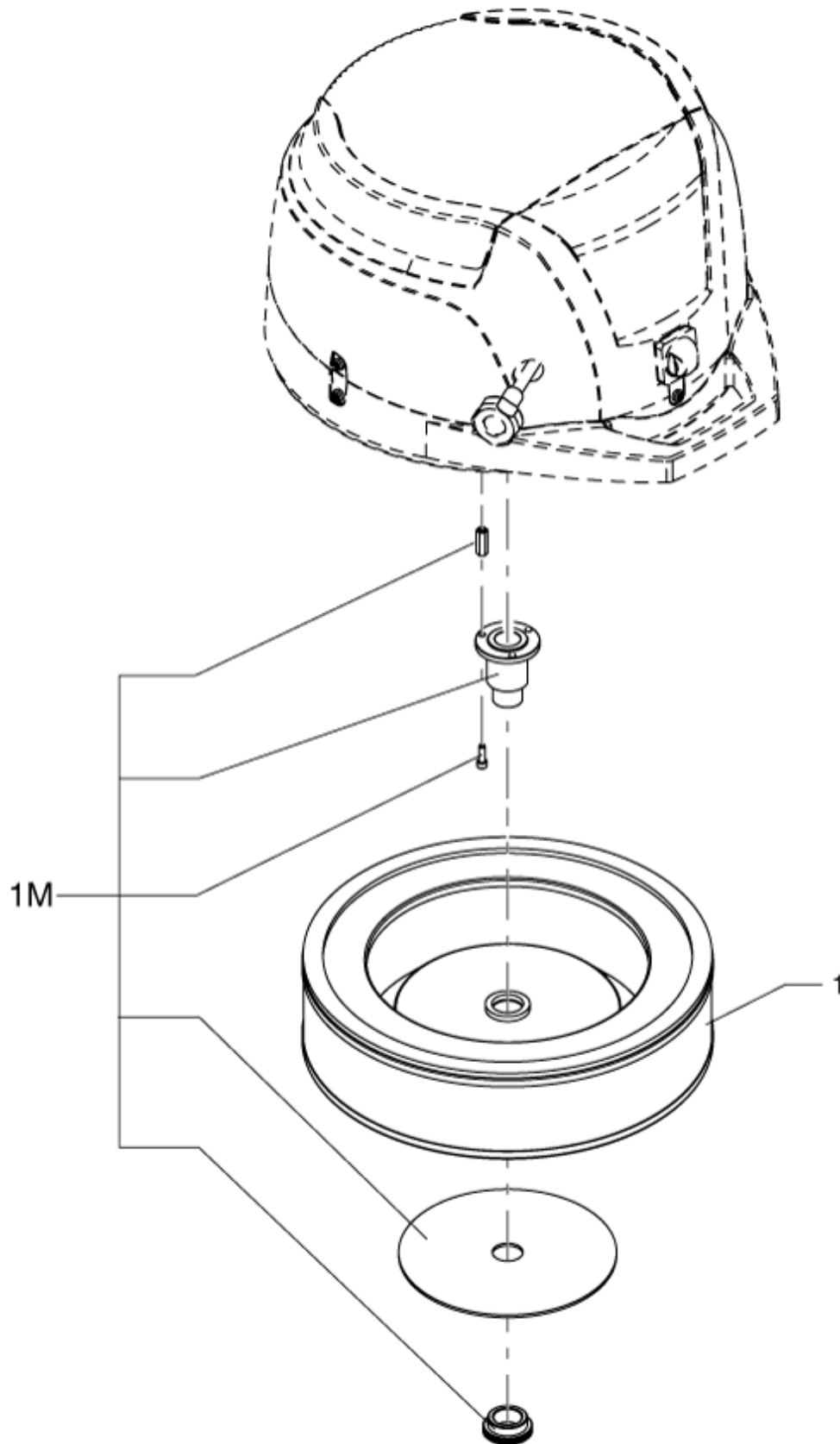
No.	Part No.	Qty.	Description	Part Note
01	303000516	1	HOSE 40X335	
01H	4056000498	1	KIT LIQUIDS M.S3	
02H	Z5 60034	1	GRATE AND VALVE	



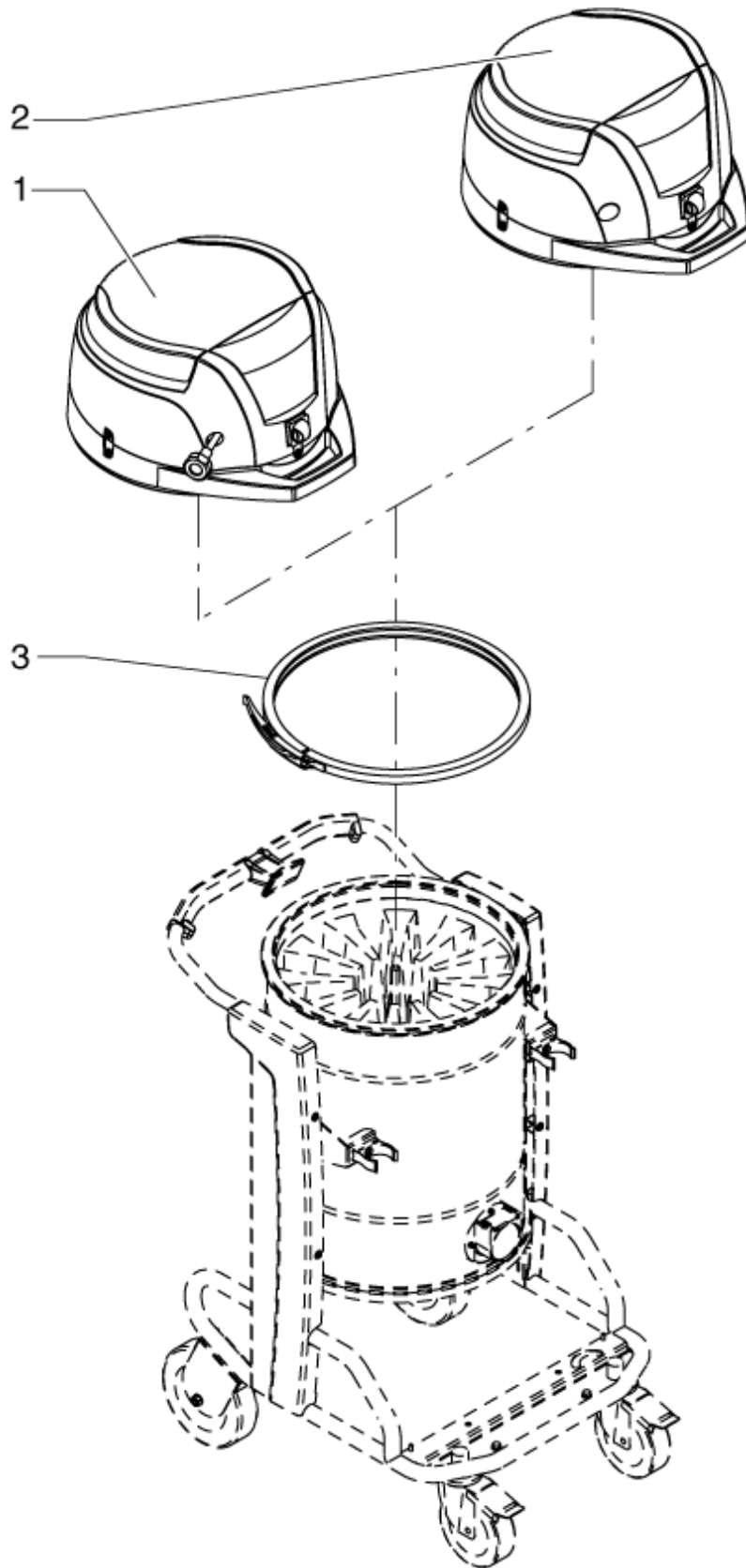
No.	Part No.	Qty.	Description	Part Note
011	Z5 60109	1	CYCLONE 460MM	



No.	Part No.	Qty.	Description	Part Note
01	4083300358	1	FILTER SHAKER CAGE FE	
01L	40000492	1	KIT STAR FILTER D460 CAT.	
01L	40000338	1	STAR FILTER KIT D460	
01L	40000898	1	STAR FILTER KIT D460	
02	Z8 17026	1	460MM FILTER GASKET	
02	Z8 17126	1	FILTER SEAL D460 SILIC.	
03	Z8 15003	1	460MM FILTER RING	
03	Z8 15010	1	FILTER HOLDER RING D460	
04	Z8 18079	1	460MM FILTER HOLDER	
04	4081801387	1	FILTER BLOCK TIE D460	



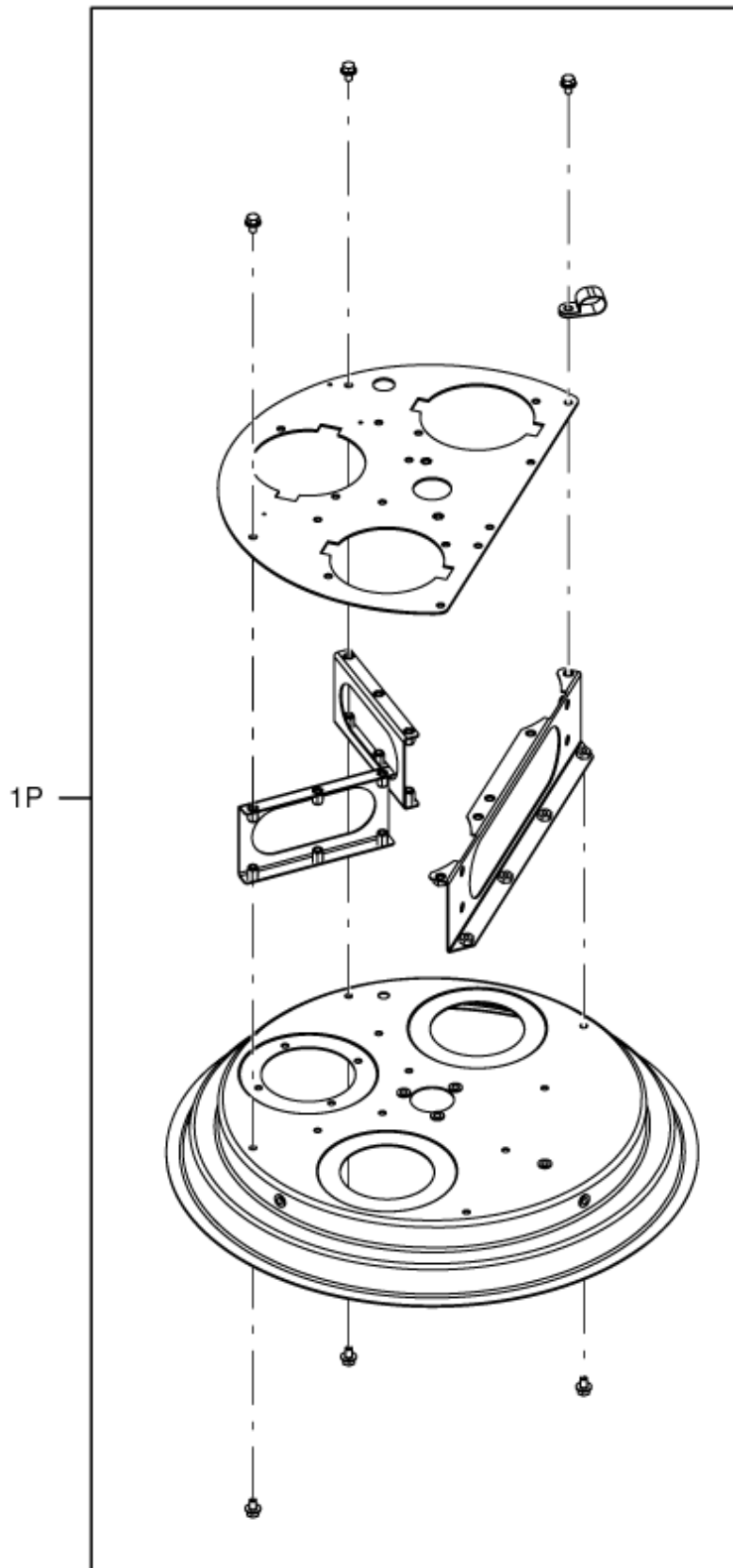
No.	Part No.	Qty.	Description	Part Note
01	4081700935	1	ABSOLUTE FILTER 415X100	
01M	40000897	1	KIT ABSOLUTE FILTER	



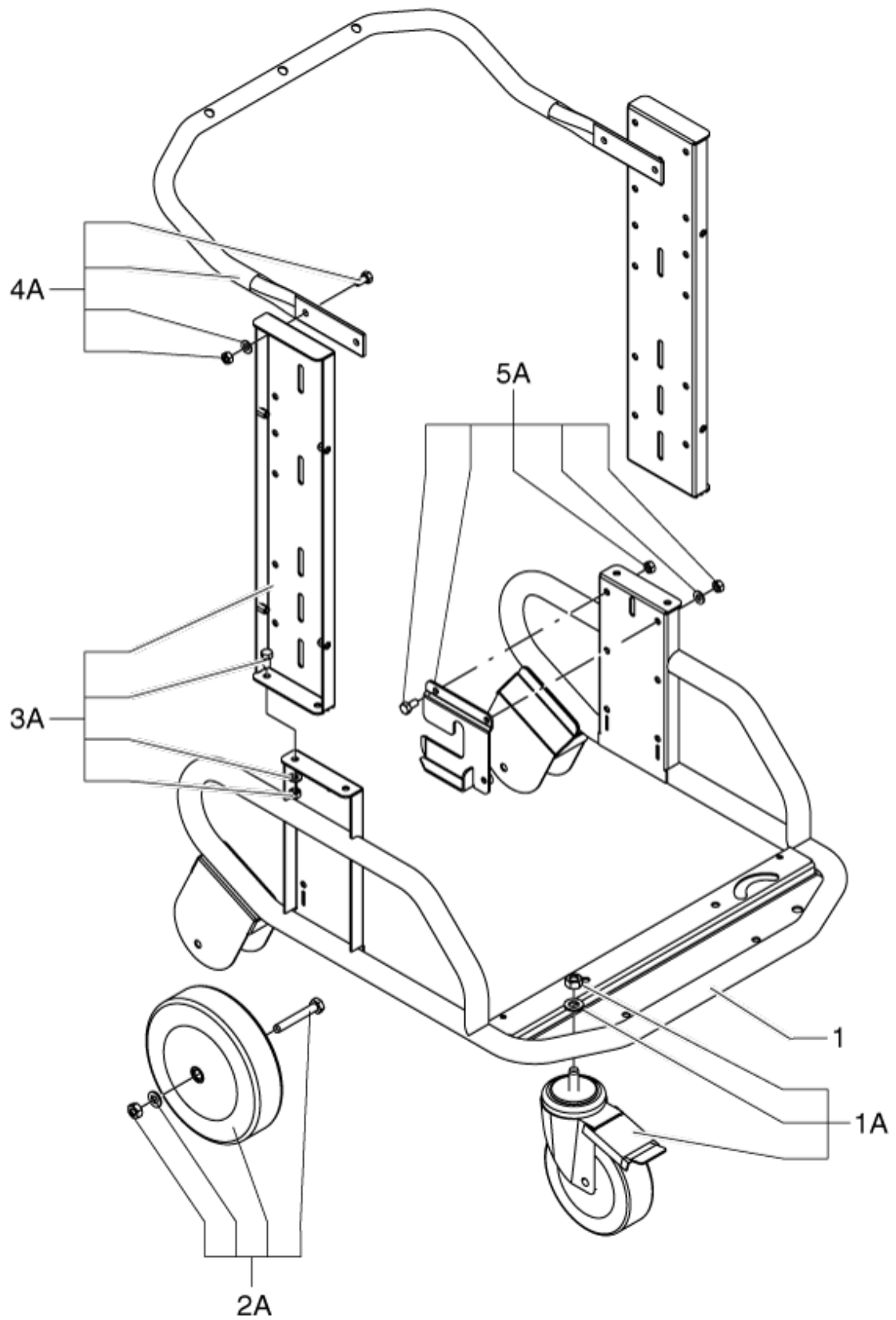
No.	Part No.	Qty.	Description	Part Note
01	4089100136	1	KIT COMPLETE HEAD M.S3	
01	4089100137	1	KIT COMPLETE HEAD M.S3 110V UK	
01	4089100006	1	KIT COMPLETE HEAD S3 230V UK	
02	4089100147	1	KIT COMPLETE HEAD SHAKER EL.M.S3 230V UK	
02	4089100148	1	KIT COMPLETE HEAD SHAKER EL.M.S3 110V UK	
02	4089100146	1	KIT COMPLETE HEAD SHAKER EL.M.S3 230V EU	
03	Z8 36191	1	BAND LOCK D.460	
03	Z8 36355	1	BAND LOCK D460 INOX 3308 COMP. W.BRACKET	[1]

Part Notes:

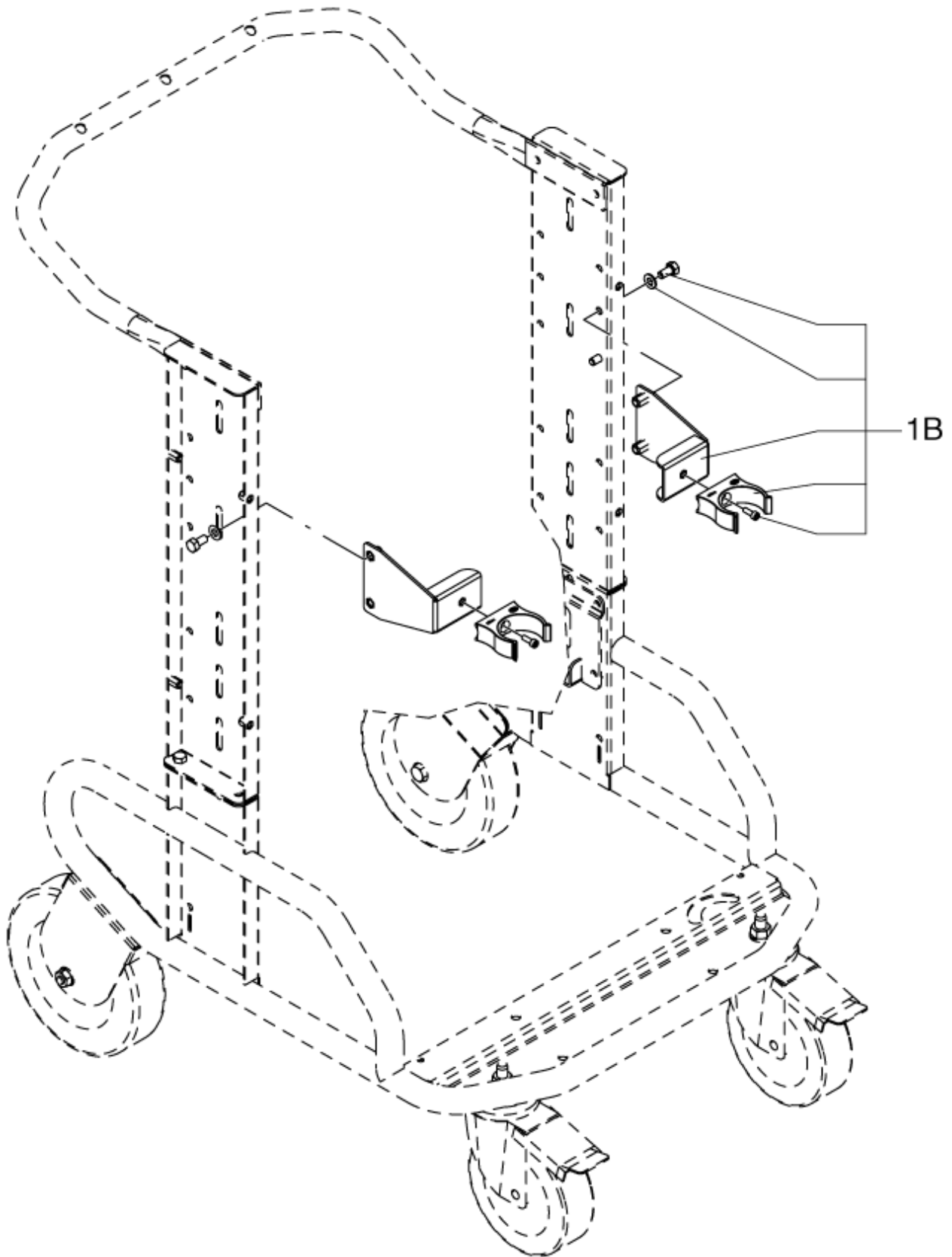
[1] - CONTACT PM IN ZOCCA



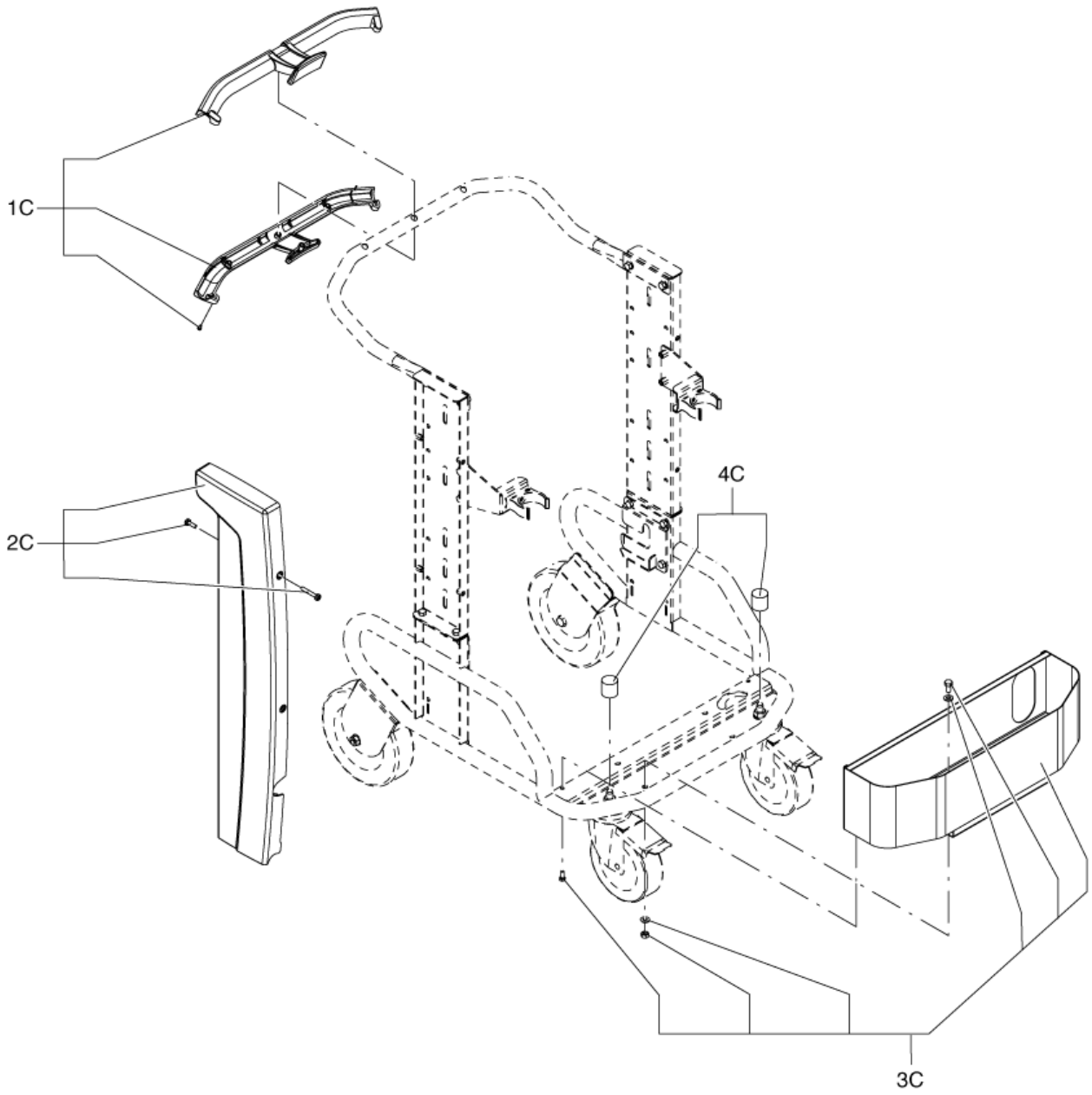
No.	Part No.	Qty.	Description	Part Note
01P	40000899	1	MOTOR SUPPORT KIT	



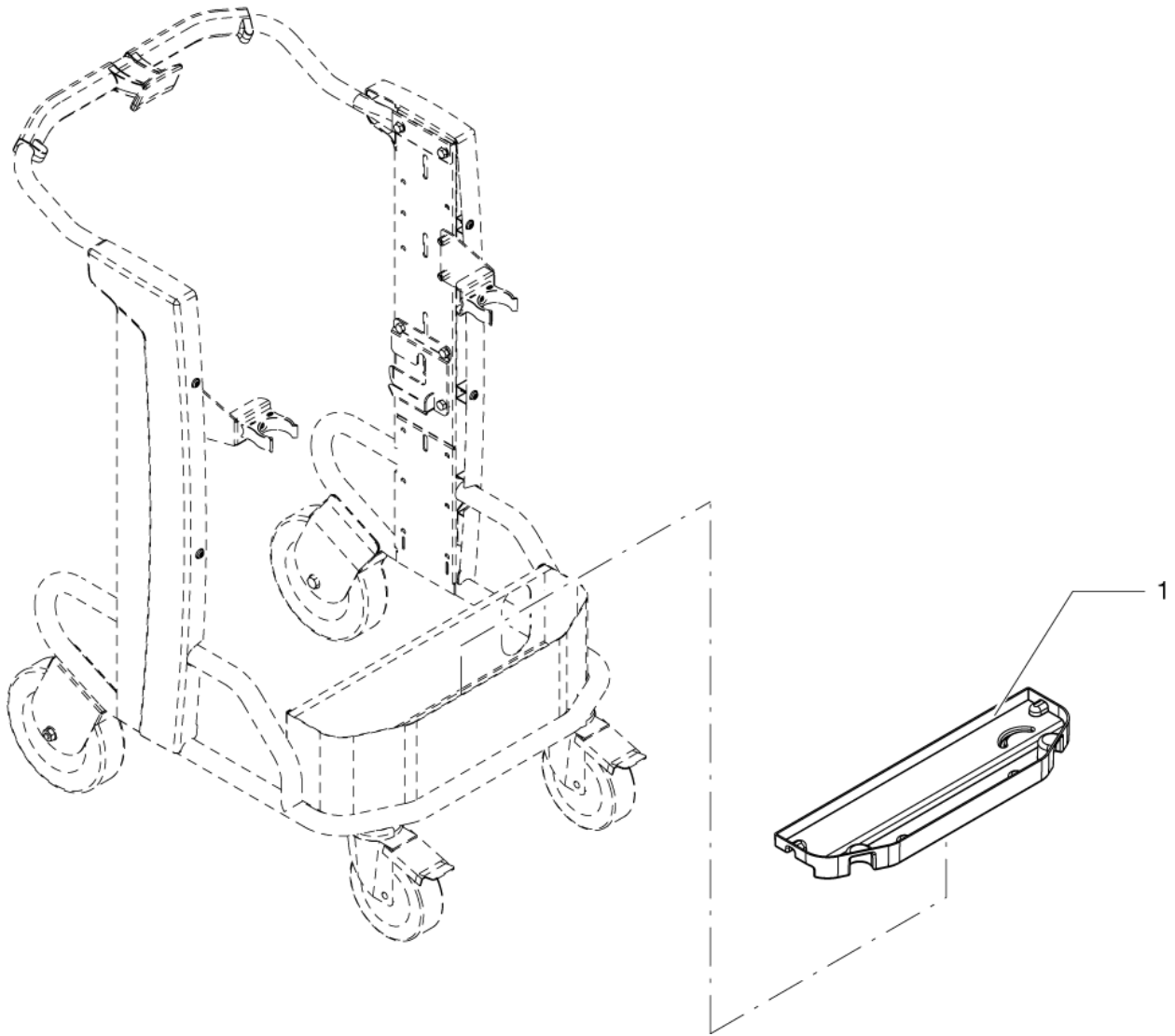
No.	Part No.	Qty.	Description	Part Note
01	4083600611	1	TROLLEY FOR MODEL S2-S3 R7016	
01A	40000874	2	KIT 2 REVOLV. CASTORS	
02A	40000873	2	WHEEL D200 KIT	
03A	40000871	1	UPRIGHT KIT	
04A	40000891	1	HANDLE KIT	
05A	40000872	1	BIN RELEASE KIT	
NS	Z8 40809		FIXED WHEEL D150 MODEL SOL W/O BEARING	
NS	Z8 40049		150MM DIA WHEEL & BRAKE	



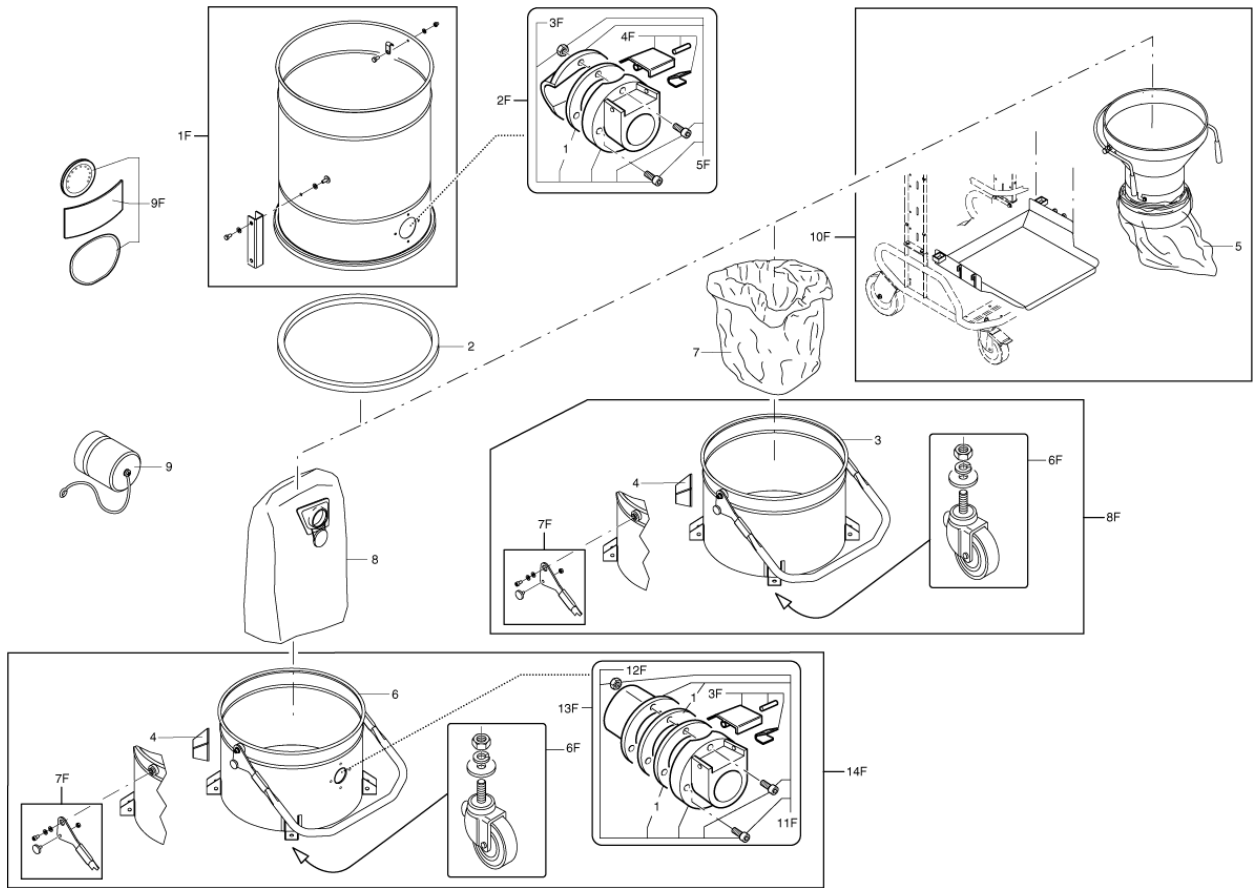
No.	Part No.	Qty.	Description	Part Note
01B	40000856	1	HOSE HOLDER KIT	



No.	Part No.	Qty.	Description	Part Note
01C	40000855	1	HANDLE KIT	
02C	40000864	1	UPRIGHT PROTECTION KIT	
03C	40000892	1	SMALL BASKET OBJECT KIT WITH NUTS BOLTS	
04C	40000870	1	PROTECTION KIT	



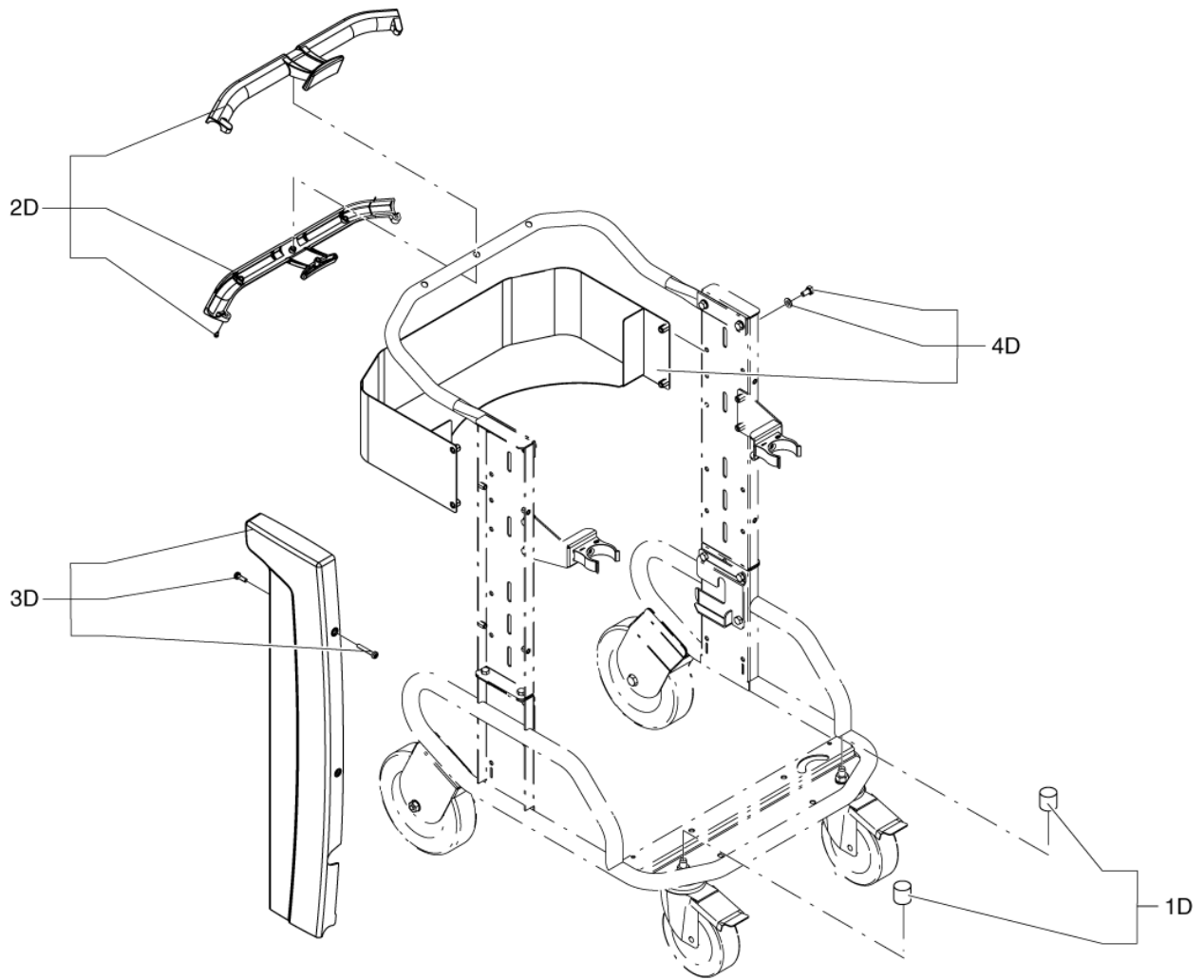
No.	Part No.	Qty.	Description	Part Note
01	4081600569	1	BIN FOR DROPS IN ABS RAL7016 MOD S3	



No.	Part No.	Qty.	Description	Part Note
01	Z8 17006	3	SEAL	
01F	40000869	1	FILTER CHAMBER KIT	
01F	40000895	1	STAIN LESS FILTER	
02	40000762	1	SEAL	
02F	40000868	1	D70 INLET FULL KIT	
02F	40000418	1	KIT COMPLETE INLET D70	
03	4083000493	1	BIN D460 L50 MODEL-S2-S3	
03	4083000495	1	BIN D460 L100 FOR MODEL	
03	4083000552	1	BIN D460 S3 L100 GRILL AND DEP	
03	4083000509	1	BIN D460 L100 IN SS M.S3	
03F	40000867	1	D70 INLET KIT	
03F	40000344	1	KIT INLET INOX D70	
03F	4089100929	1	KIT INLET D70 FOR ATEX COMPLETE	
04	Z8 17021	4	BUMPER WHEEL HOLDER	
04F	40000345	1	KIT PUSHBUTTON FOR	
05	4084001017	1	PACKAGE OF 5 BAGS D460	
05	4084000956	1	MINI PACKAGE 4x20 MT 55	
05F	40000395	1	KIT DEFLECTOR D70	
05F	40000416	1	KIT DEFLECTOR D70 INOX	
06	4083000512	1	BIN D460 L50 FOR BAG ATTACK M.S3	
06F	40000484	1	KIT CASTORS FOR	
06F	40000419	1	KIT CASTORS FOR CONTAINER	
07	Z8 40099	1	BAG POLYETHYLENE LDPE	
07F	40000866	1	HANDLE KIT L50	
07F	40000879	1	HANDLE KIT L100	
08	81584000	1	DUST BAG TWO-PLY 5PACK	
08F	4083000555	1	COMPLETE BIN D460 L100	
08F	4083000497	1	COMP.BIN D460 L100 M.S3	
08F	4083000496	1	COMP.BIN D460 L50 M.S2-S3	
08F	4083000510	1	COMPLETE BIN D460 L100	
09	Z7 21070	1	PLUG X INLET D70 FE	
09	Z7 21072	1	PLUG X INLET D70 INOX COMPLETE	[1]
09F	40000896	1	STICKER KIT	
10F	4056000468	1	DISCHARGE KIT MS2-S3-T30S	
11F	40000852	1	DEFLECTOR FOR PAPER BAG KIT	
12F	40000867	1	D70 INLET KIT	
13F	40000894	1	D70 INLET FULL KIT	
14F	4056000474	1	KIT DISPOSAL SYSTEM	

Part Notes:

[1] - CONTACT PM ZOCCA



No.	Part No.	Qty.	Description	Part Note
01D	40000870	1	PROTECTION KIT	
02D	40000855	1	HANDLE KIT	
03D	40000864	1	UPRIGHT PROTECTION KIT	
04D	40000893	1	COMPARTMENT KIT	

No.	Part No.	Qty.	Description	Part Note
1	4083901657	1	PROTECTIVE SHEATH SPIRAL SS304 D.INT.9,5	
2	4084001281	1	FAST CONNECT. CAMLOCK "D" 3F-D75F SS316	
3	4085300406	1	COMPLETE HEAD S3 230V CHP	
4	4089100287	1	COMPLETE HEAD S3P V110 UK KIT	
5	4089100804	1	KIT COMPL. HEAD SHAKER EL	
6	4083901781	1	CABLE 3G1,5 SOCKET CH 16A	
