

# PARTS LIST

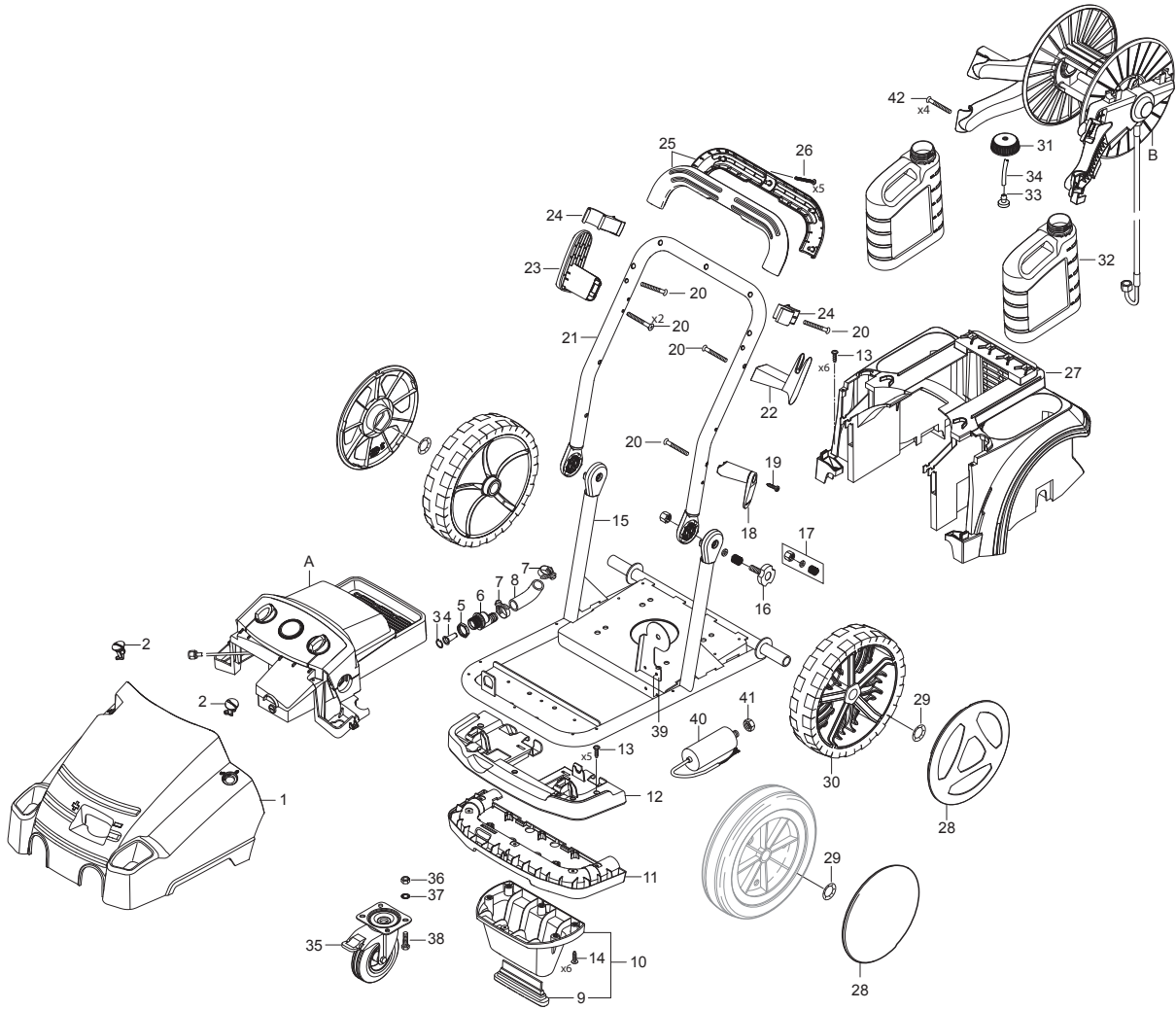


2021.05.18

# TABLE OF CONTENTS

---

Overview .....	1
Electric box .....	4
Hose reel .....	7
Motor .....	9
Cylinder block .....	12
Unloader FA .....	14
Default accessories .....	16
Recommended spare parts .....	18



# Overview

POSEIDON 6-64 FA / MC 6P 250/1100 FA

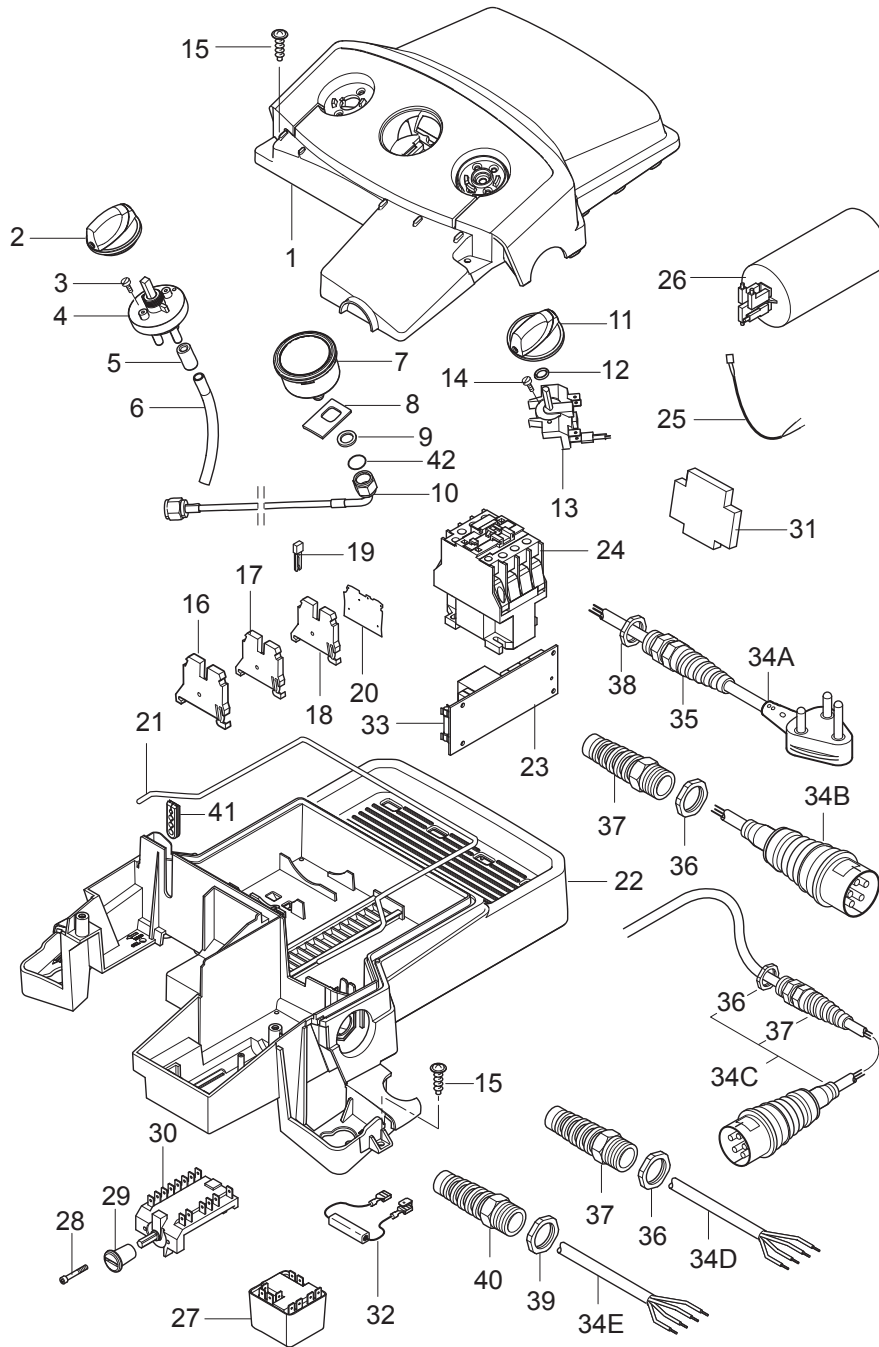
2017.11.02

2020.06.23

No.	Part No.	Qty.	Description	Part Note
A		1	Electric box	[1]
B		1	Hose reel	[2]
1	107141602	1	CABINET FRONT NILFISK MC 6P	
1	107140959	1	CABINET FRONT NA POSEIDON 6 UNITOR	
2	301001261	2	LOCKING BOLT Ø29X35	
3	107141667	1	LOCK WASHER	
4	101117926	1	FILTER	
5	1800341	1	LOCK NUT (1102760,1500070	
6	107141668	1	WATER INLET PIPE NA5/NA6	
7	107141707	1	HOSE CLIP 20-32MM SS	[3]
7	23221	2	HOSE CLAMP 20-32	
8	107141697	1	RUBBER ELBOW NA5/NA6 FA	
9	107141615	1	RUBBER FOOT	
10	101118100	1	FRONT FOOT FOR POSEIDON	
11	107141617	1	BUMPER BOTTOM	
12	107141618	1	BUMPER TOP	
13	107146528	5	SCREW M5X12 ISO 14583-A2 TORX	
14	107141838	6	SCREW K50X18 WN1451	
15	107141622	1	FRAME STAINLESS STEEL	[3]
15	107141621	1	FRAME NA6/C3	
16	107141672	2	GRIB FOR FOLDABLE HANDLE	
17	101118104	2	SPRING AND LOCK NUT KIT	
18	107141625	1	CABLE HOOK MOVABLE BLACK	
19	107141838	1	SCREW K50X18 WN1451	
20	107141627	10	SCREW K50X40 T20	
21	107141624	1	FRAME HANDLE STAINLESS	[3]
21	107141623	1	FRAME HANDLE	
22	107141632	1	CABLE HOOK	
23	107141629	1	HOSE HOOK	
24	107141630	1	LANCE HOLDER NA	
25	101118101	1	HANDLE KIT	
26	909100148	5	SCREW K40X30 WN 1452	
27	107141634	1	REAR END	
28	107145780	2	WHEEL CAP FOR WHEEL Ø300X65 - NILFISK	[4]
28	107145782	2	WHEEL CAP FOR WHEEL Ø300X65 - UNITOR	[4]
28	301001077	2	WHEEL CAP 234	[5]
29	46363	2	CLAMPING RING DIA 25	
29	107145570	2	CLAMPING RING D25XD42X3	[3]
30	107145637	2	WHEEL D300X65	[4]
30	6184074	2	WHEEL ?300	[4]
30	2010908	2	WHEEL	[3]
31	107141664	2	CAP FOR DETERGENT TANK	
32	107141635	2	DETERGENT TANK	
33	6400240	1	CHEMICAL FILTER /PLASTIC/	
34	106408243	1	HOSE 1/4INCH	
35	107141608	1	WHEEL W. BRAKE D125 FOOD	[3]
35	107141607	1	WHEEL W. BRAKE D125	
36	1809920	4	NUT M8 A2/PA ISO10511	[3]
36	1800515	4	LOCK NUT M8 (4100190)	
37	1802917	1	WASHER M8	[3]
37	1800796	4	WASHER M8	
38	2753	4	HEX. SCREW M8X20 ISO	
38	107140930	4	SCREW M8X20 DIN933 SS	[3]
42	107141695	4	SCREW K50X35 TORX 20	
NS	107140982	1	10 PCS OF BOXES FOR PACKAGING	

## Part Notes:

- [1] - See Electric box
- [2] - See Hose reel
- [3] - Food
- [4] - The new wheel and wheel cap is added from  
Variant Ser. Nr. order nr.machine nr.  
Nilfisk 3520151900645 - 1712947 - 107146806  
Unitor 3520151901159 - 1711044 - 107146807
- [5] - STOCK COVERS GUARANTEE  
  
The new wheel and wheel cap is added from  
Variant Ser. Nr. order nr.machine nr.  
Nilfisk 3520151900645 - 1712947 - 107146806  
Unitor 3520151901159 - 1711044 - 107146807



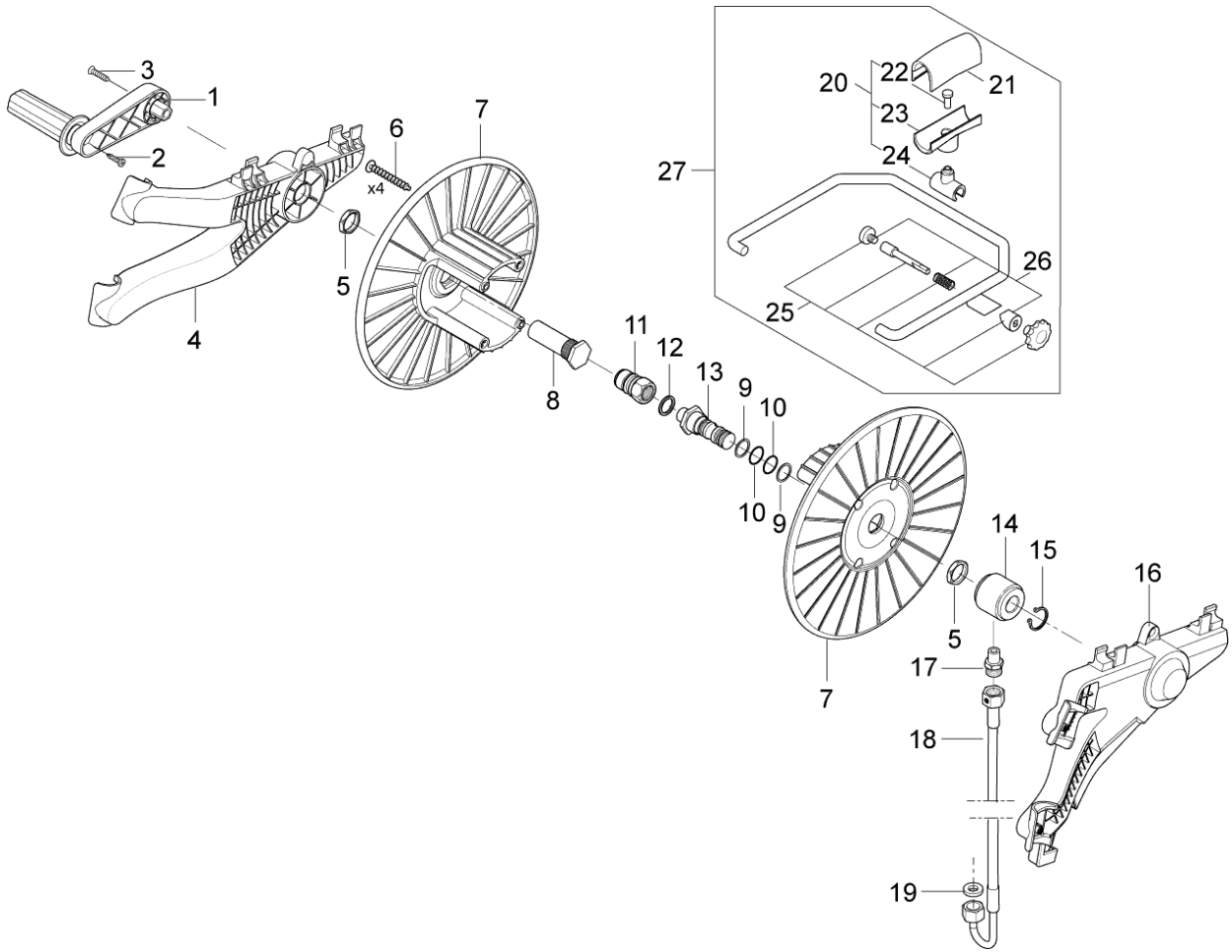
No.	Part No.	Qty.	Description	Part Note
0	101118305	1	START RELAY RVA4G0C KIT	[1]
0	101118143	1	START RELAY KIT F. POSEIDON 5-6-7 1PH US	[1]
1	107141644	1	E-BOX TOP F. 1-POS SWITCH AND DET. BLACK	
1	107141646	1	E-BOX TOP F. 1-POS SWITCH-NO DET. BLACK	
1	107141645	1	E-BOX TOP F. 2-POS	
2	909100214	1	ROTARY KNOB	
3	1814730	2	SCREW 35X10B W1423	
4	301001000	1	valve dia 51x70	
5	301001906	1	CLOSING CAP D12X21.5	
6	106408243	1	HOSE 1/4INCH	
7	107141648	1	MANOMETER 0-300 BAR	
8	107141650	1	PLATE FOR MANOMETER	
9	107141651	1	WASHER M12 13X24X2.5 A2	
10	107141696	1	MANOMETER TUBE FFA MODELS	[2]
10	107141653	1	MANOMETER TUBE FA MODELS	
11	909100204	1	ROTARY KNOB 06X5	
12	9868	1	O-RING 10.2X2.5 NBR 70	
13	28877	1	MAIN SWITCH NEPTUNE 5/7	[3]
13	301001058	1	CONTACT FOR START STOP	[4]
14	18274	1	COUNTERS UNK SCREW M4X12	
15	107141838	6	SCREW K50X18 WN1451	
16	103821922	1	DIN-END STOP WO/SCREW	
17	107141633	1	TERMINAL BLOCK 4Q PE	
18	103821967	1	WIRE TERMINAL WAGO281	
19	103821969	1	JUMPER	
20	103821968	1	END PLATE WAGO 4MM2	
21	101406054	1	SPONGE RUBBER Ø 4 1M	
22	107141654	1	E-BOX BOTTOM DRILLED /CABLE/	[5]
22	107141706	1	E-BOX BOTTOM DRILLED CABLE AND SWITCH	[6]
22	107141665	1	E-BOX BOTTOM	
22	107141655	1	E-BOX BOTTOM DRILLED /SWITCH/	[7]
23	107141666	1	PCB POSEIDON 5-6-7	
24	103822314	1	CONTACTOR CJX2-D32 32A 230V 3P+NO	[8]
24	103822308	1	CONTACTOR CJX2-D25 25A	[9]
24	103822303	1	CONTACTOR CJX2-1810 N7	[10]
24	63915	1	CONTACT 100-C30KF10 230	[11]
25	107141796	1	PCB WIRE FOR SUCTION MODE	[12]
25	107141656	1	WIRE	
26	107143182	1	CAPACITOR 70UF 450/500V RP-3	[13]
26	101117947	1	CAPACITOR 100UF 450V DOUBLE 6.3 FASTON	[14]
27	107142761	1	START RELAY RVA4G0C	[15]
27	107140968	1	START RELAY RVAH4AH0C	[15]
28	101117739	2	SCREW HEX M4X22-8.8 A2K	
29	64580	1	ROTARY KNOB	
30	301000293	1	START SWITCH NEPTUNE 5/7	
31	64773	1	AUXILIARY CONTACT 100-SBL	
32	107141730	1	DISCHARGE RESISTOR 15KOHM/7W	[1]
33	301000263	1	FUSE 0,63A/500AT #6,	
34A	301000407	1	POWER CORD SJOW	[16]
34B	301000253	1	POWER CORD H07RN-F 4G1.5	[17]
34C	301000834	1	POWER CORD H07RN-F4G1.5X6	[18]
34D	301000337	1	POWER CORD H07RN-F 4G2.5	[19]
34E	301000384	1	POWER CORD SOW AWG10/4X9	[20]
35	909100198	1	SCREWED CABLE GLAND	[21]
36	909100043	1	CORD, FIXING	[22]
37	909100019	1	HEX, NUT	[22]
38	909100020	1	HEXAGON THIN NUT	[21]
39	909100021	1	HEXAGON NUT M32X1.5	[23]

No.	Part No.	Qty.	Description	Part Note
40	909100016	1	CABLE SCREWING W. ANTIBUC.	[23]
41	107141663	1	RUBBER GROMMET	
42	31000508	1	O-RING NBR	

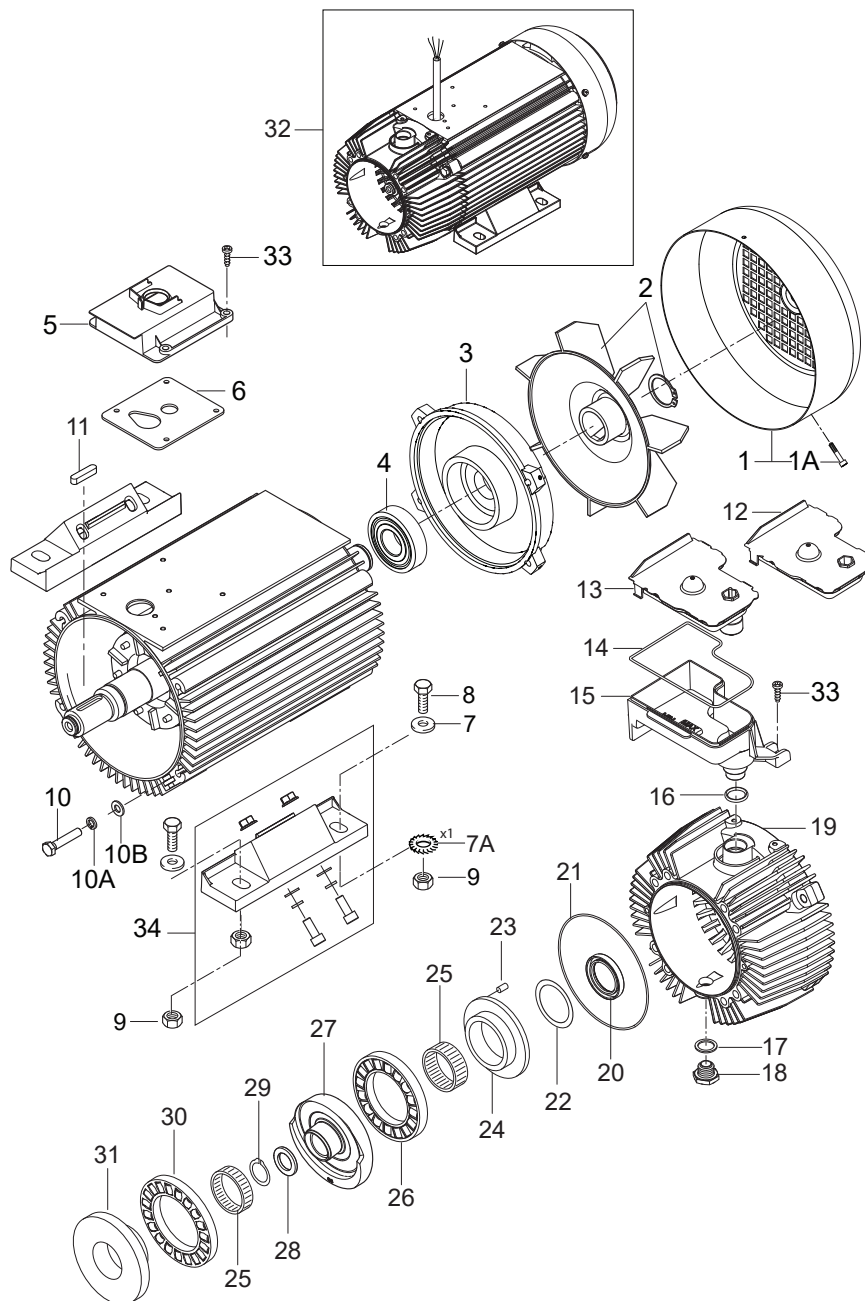
Part Notes:

- [1] - 230/1/50 UK, 220-240/1/60 US
- [2] - Food
- [3] - 2-POS.
- [4] - 1-POS.
- [5] - 220-240/1/60 (6-52 US)
- [6] - 220/440/3/60 (6-73 US)
- [7] - 230;400/3/50 (6-65 NO)
- [8] - 220-240/1/60 (US)
- [9] - 400/3/50 EU
- [10] - 6-61 FFA 400/3/50 EU
- [11] - 230/400/3/50, 220/440-460/3/60
- [12] - S1 to X8 – "suction mode wire"
- [13] - 230/1/50 UK  
TSB-PPW-2018-003 MH\_MC change of start relay and run capacitor
- [14] - 220-240/1/60 US
- [15] - 230/1/50 UK
- [16] - 6-52 FA 220-240/1/60 USA  
STOCK COVERS GUARANTEE
- [17] - EU
- [18] - Sondi
- [19] - NO, EXP.
- [20] - 6-73 FA 220/460/3/60 USA
- [21] - M25
- [22] - M20
- [23] - M32





No.	Part No.	Qty.	Description	Part Note
0	106403143	1	HOSE REEL COMPLETE	
1	101118102	1	HOSE REEL HANDLE KIT	
2	107141838	1	SCREW K50X18 WN1451	
3	107141673	1	SCREW M6X45 ISO 7380 BLACK TORX	
4	107141674	1	ADAPTOR RIGHT FOR HOSE REEL	
5	62696	1	HEXAGON NUT M24X1.5X6	
6	909100153	1	SCREW 6X40	
7	301000775	1	HOSE DRUM SECTION	
8	107141675	1	AXLE FOR HOSE REEL	
9	63792	2	SUPPORT RING HOSE REEL P5	
10	19620	2	O'RING HOSE REEL P5	
11	1600493	1	Nippel F. Q-COUPL. 3/8	
12	1801075	1	PACKING RING	
13	107141676	1	SWIVEL SCREW FOR HOSE	
14	301000977	1	BEARING BUSH	
15	1802057	1	CIRCLIP EXTERNAL 20X1.2	
16	107141677	1	ADAPTOR LEFT FOR HOSE REEL	
17	54590	1	FITTING NEPTUNE 5/7	
18	107141678	1	CONNECTION HOSE FOR HOSE REEL	
19	65466	1	PACKING RING 8X15X1	
20	101118103	1	HOSE GUIDE PARTS KIT	
21	301000674	1	HOSE GUIDE SECTION UPPER	
22	10028	1	SCREW KA50X14 WN1411	
23	301000676	1	HOSE GUIDE SECTION LOWER	
24	107141679	1	HOSE GUIDE SLEEVE OPEN	
25	101118106	1	HOSE GUIDE BRAKE	
26	101118111	1	HOSE GUIDE KIT	
27	101118105	1	HOSE GUIDE COMPLETE	

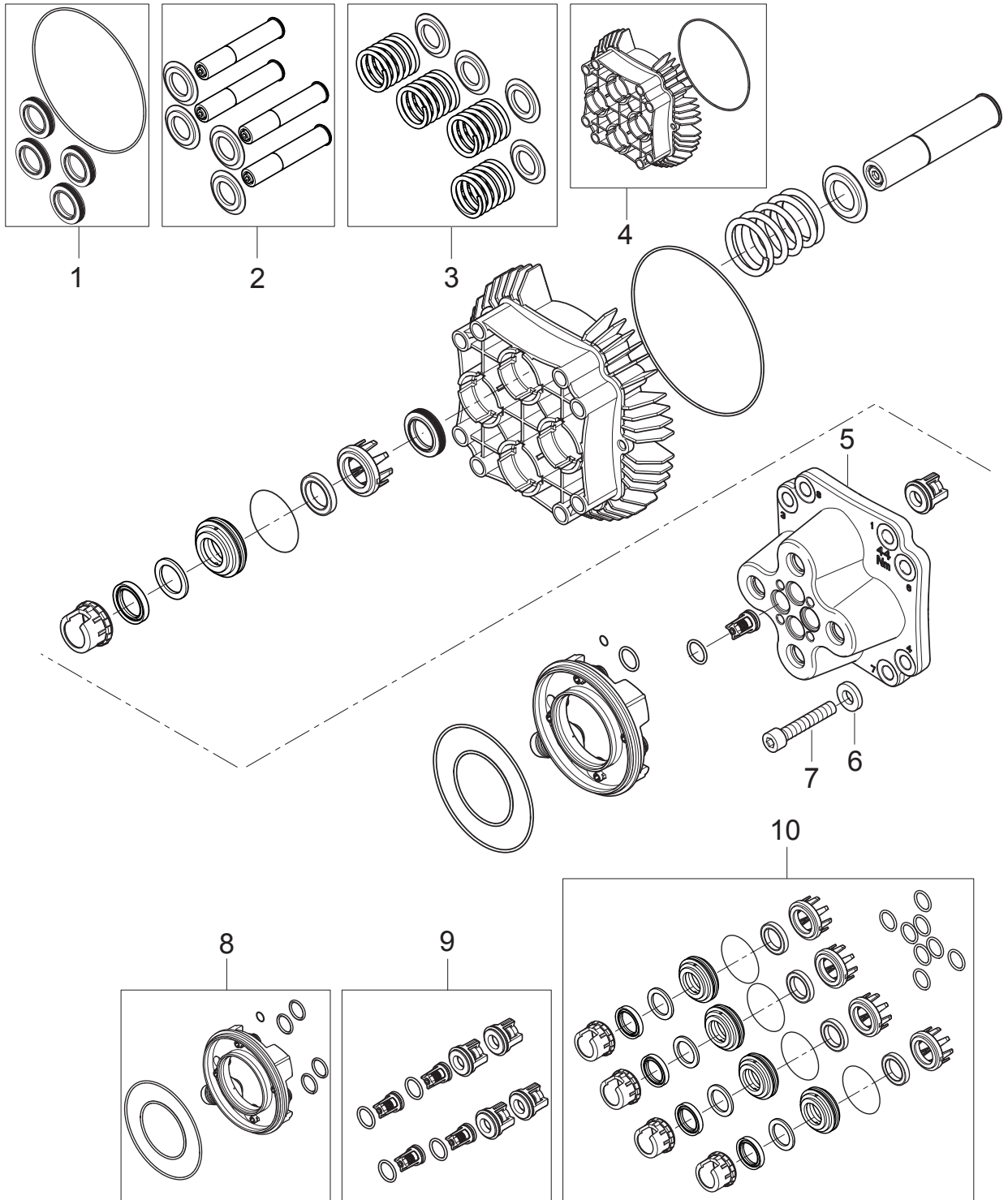


No.	Part No.	Qty.	Description	Part Note
	31001229	1	OIL ISO 150 ALPHASYN-T 20L	
00	5218433	1	PUMP OIL 150 1*1 L	[1]
1	107144126	1	FAN COVER RF	
1A	31000488	1	SCREW M5X8 CYLINDER HEAD PH NOTCH RF	
2	107144125	1	FAN W LOCK RING RF	
3	31000148	1	REAR BEARING COVER RF	
4	31000149	1	REAR BEARING RF	
5	107140876	1	COVER FOR E-BOX ON MOTOR	
6	107140875	1	SEALING BETWEEN E-BOX AND MPU	[2]
7	2767	7	WASHER 10.5 X 20 X 2	
7A	107140931	1	TOOTHED WASHER M10 SS	[3]
7A	10204	1	SERRATED LOCK WASHER A10	
8	8927	4	HEXAGON HEAD CAP SCREW M10X 35 ISO 4017	
9	1800465	4	NUT M10 REPLACES 1101240	
9	1802966	4	NUT HEX M10 A2 DIN 934	[3]
10	6863	4	SCREW M8X35	
10A	2798	8	LOCK WASHER 8	
10B	2762	8	WASHER 8.4X1.6	
11	107140880	1	KEY 6X6X32 A DIN 6885	
12	107140877	1	OIL CONTAINER TOP	
13	107140883	1	OIL CONTAINER TOP	
14	101406054	1	SPONGE RUBBER Ø 4 1M	
15	107140879	1	OIL CONTAINER BOTTOM	
16	107140882	1	O-RING 15.0 X 3.0 SMS	
17	106408208	1	COPPER SEALING 17X25X1.5	
18	6150400	1	DRAIN PLUG	
19	101118067	1	FRONT BEARING COVER CPL.	
20	3001146	1	OIL GASKET GACO, VITON	
21	106408215	1	O-RING 126.71 X 1.78	
22	6100995	1	WASHER	
23	6100996	1	GUIDE PIN	
24	107120703	1	BEARING (R/P 6100943/1007	
25	3200656	2	NEEDLE BEARING INA K	
26	3200615	1	AXIAL ROLLER BEARING	
27	106408212	1	WOBBLE DISC POLISHED 5.8DEG	[4]
27	106408211	1	WOBBLE DISC POLISHED	[5]
27	106408210	1	WOBBLE DISC POLISHED 4.3DEG	[6]
27	106408213	1	WOBBLE DISC POLISHED 7.05DEG	[7]
28	106408204	1	WASHER D32 x D20.1 x 3	
29	1802057	1	CIRCLIP EXTERNAL 20X1.2	
30	106408206	1	CYL. ROLLER BEARING K81	
31	106408207	1	BEARING TRACK THRUST	
32	106408201	1	MOTOR 5.2KW. 1X230	[8]
32	106408202	1	MOTOR 7.5KW. 3X230/400-220/440	[9]
32	106408200	1	MOTOR 6.8KW. 3X230/400-220/440	[10]
32	106408203	1	MOTOR 4.5KW. 3X230/400-220/440	[11]
32	106408185	1	MOTOR NA6 7KW/200/50/3PH	[12]
33	107140881	6	SCREW M5X12 DIN 7985 TORX	
34	106408249	2	FEET FOR MOTOR	

## Part Notes:

- [1] - 0,8L - OIL TYPES\_QUANTITY for HPW\_APRIL 2017  
 [2] - TSB-PPW-2018-012 NA5\_NA6 mpu. Water enters into the stator.  
 [3] - Food

- 
- [4] - TSB-PPW-2019-007 C3 NA6 Wobble Disc and Bearing Track surface hardening change
- POSEIDON 6-65 FA - MC 6P-180/1300 FA 400/3/50 EU  
POSEIDON 6-65 FA - MC 6P-180/1300 FAXT 230-400/3/50 NO  
POSEIDON 6-65 FA 415/3/50 AU
- [5] - TSB-PPW-2019-007 C3 NA6 Wobble Disc and Bearing Track surface hardening change
- POSEIDON 6-64 FA - MC 6P 250/1100 FA 400/3/50 EU  
POSEIDON 6-64 FA - MC 6P-250/1100 FA 415/3/50 AU  
POSEIDON 6-56 FA - MC 6P-3000/6,0 FA 230-460/3/60 US  
POSEIDON 6-65 FA - MC 6P-180/1300 FA 220-440/3/60 EXPT  
MC 6P-230/1100 FA 200/3/50 JP
- [6] - TSB-PPW-2019-007 C3 NA6 Wobble Disc and Bearing Track surface hardening change
- 6-52 FA – MC 6P 150/1140 FA 220-240/1/60 USA,  
6-64 FA – MC 6P 250/1100 FA 220-230/440-460/3/60EXP  
MC 6P-230/1100 FA 200/3/60 JP
- [7] - 6-61 FFA – MC 6P 100/1610 FFA - 400V 3ph. 50Hz  
6-79 FA – MC 6P 170/1610 FA - 400V 3ph. 50 Hz
- [8] - 6-52 FA – MC 6P 150/1140 FA 220-240/1/60 USA  
Also order Gasket for motor, 107140875
- [9] - 6-64 FA – MC 6P 250/1100 FA 400/3/50-60  
6-73 FA 220/400/3/60,  
6-79 FA – MC 6P 170/1610 FA 400/3/50  
Also order Gasket for motor, 107140875
- [10] - 6-65 FA – MC 6P 180/1300 FA 230;400/3/50  
Also order Gasket for motor, 107140875
- [11] - 6-61 FFA – MC 6P 100/1610 FFA 400/3/50 EU  
Also order Gasket for motor, 107140875
- [12] - MC 6P-230/1100 FA 200/3/50-60 JP  
Also order Gasket for motor, 107140875
-



No.	Part No.	Qty.	Description	Part Note
1	101118057	1	SEAL KIT FOR CYLINDER	
2	101118066	1	PISTON KIT NA6	[1]
2	101118065	1	PISTON KIT W/MARKING	[2]
3	101118059	1	RETURN SPRING - KIT NA6	
4	101118060	1	CYLINDER BLOCK - KIT NA6	
5	106408197	1	PUMP HEAD D24 NA6	
6	2767	8	WASHER 10.5 X 20 X 2	
7	1813393	8	SCREW M10X100 DIN912 8.8	
8	101118063	1	INLET MANIFOLD KIT - NA6	
9	101118062	1	OUTLET/INLET VALVE KIT	
10	101118277	1	WATER SEAL NA6 HEAVY	[3]
10	101118276	1	WATER SEAL KIT - NA6	[3]

## Part Notes:

[1] - 6-52, 6-64, 6-65, 6-73

[2] - 6-61, 6-79

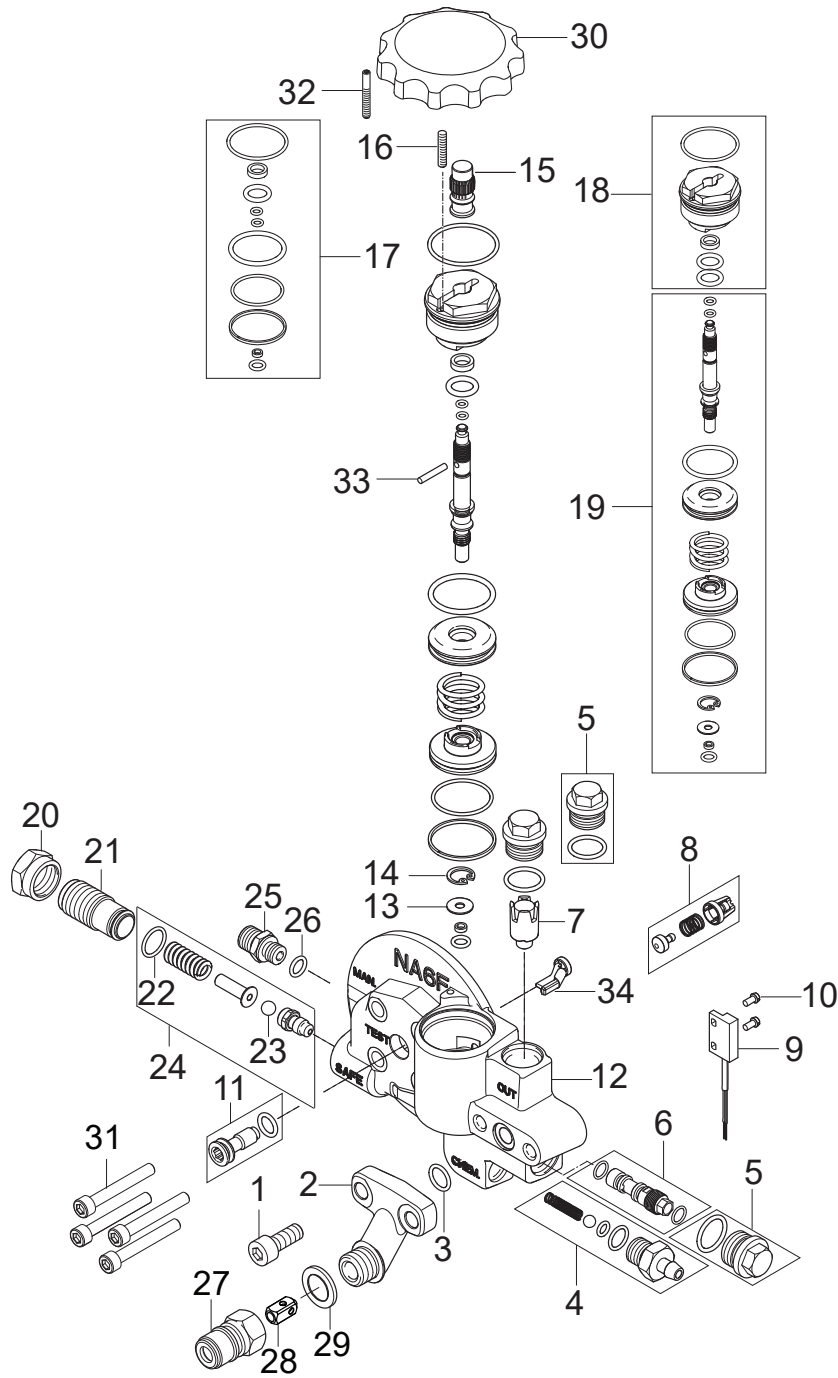
[3] - Implementation date: July 2017

Serial Number: 3520172701255

TSB-PPW-2017-017 NA6\_NA6plus Water Seal Kit changes

DE TSB-PPW-2017-017 NA6 und NA6 Wasserdichtungskit Überarbeitung

FR TSB-PPW-2017-017 Changement des kit joints d'eau pompe NA6





No.	Part No.	Qty.	Description	Part Note
1	106408193	2	SCREW M8 X 20 8.8 DIN 912 FZB	
2	106408192	1	OUTLET FITTING FA AXIAL OUTLET	
3	106408191	1	O-RING 10.82X1.78 NBR 70	
4	1119406	1	NON RETURN VALVE REP.KIT	
5	107144154	2	OIL PLUG M18X1.5 WITH O-RING /SH90/	
6	107144112	1	INJECTOR - NA5	[1]
6	107140794	1	VENTURI TUBE D2.3 RED	[2]
7	101118055	1	MAGNET AND HOUSE FOR	
8	101118056	1	RETURN VALVE BY-PASS -	[3]
9	106408216	1	REED SWITCH	
10	101118033	2	SCREW M3X6 BRASS DIN	
11	107144137	1	UNLOADER PLUG NA5	
12	106408194	1	UNLOADER FA NA6	
13	106408196	1	WASHER D12.95 X D4.6 X 0.9 BRASS	
14	106408195	1	RETAINING RING SIZE 13 DIN472	
15	106408189	1	NUT M8 X 1 FOR UNLOADER VALVE FA	
16	107146563	1	SCREW POINTED DIN 913 M4X16 FZG	
17	101118050	1	SEALING KIT FOR NA6	
18	101118051	1	PLUG FOR UNLOADER VALVE	
19	101118049	1	CONTROL UNIT - KIT NA6	
20	6100928	1	LOCK NUT	
21	6100940	1	ADJUSTMENT SCREW F.SAFETY	
22	3001070	1	O-RING 13 1 X 1 6	
23	1802644	1	BALL 7MM	
24	101118118	1	OPENING VALVE REP. KIT	
25	1821	1	FITTING XGE 6LR1/8	
26	3001740	1	O-RING 7.66X1.78 NITRIL 7	
27	1600493	1	Nippel F. Q-COUPL. 3/8	
27	1603101	1	QUICK COUPLING NIPPLE 03K	[4]
28	6101038	1	PISTON F. NON RETURN VALV	
29	1801075	1	PACKING RING	
30	107140823	1	REGULATOR KNOB NA5/NA6	
31	9543	4	CYLINDER SCREW M8X55	
32	107146562	1	SCREW M4X30 POINTED DIN 413	
33	107146561	1	PIN DIA 3 X 18MM STAINLESS STEEL	
34	107144239	1	PLUG NA6FA BYPASS VALVE	[5]

Part Notes:

- [1] - 6-52 FA (US), 6-56 FA, 6-64 FA, 6-65 FA, 6-73 FA (US)  
6P 2300/5.0 FA (US), 6P 200/1110FA, 6P 230/1100FA (JP), 6P 250/1100 FA, 6P 180/1300 FA, 6P 250/1100 FA, 6P 3000/6.0 FA (US)
- [2] - 6-79 FA, 6-61 FFA  
6P 170/1600 FA, 6P 100/1600 FFA
- [3] - Spring included: OD8,2 x L9,3 x d0,5
- [4] - INOX
- [5] - MC 6P-180/1300 FAXT 400/3/50 EU, MC 6P-180/1300 FA 400/3/50 EU  
MC 6P-250/1100 FA 400/3/50 EU, MC 6P-180/1300 FAXT 230-400/3/50 NO  
MC 6P-180/1300 FA 220-440/3/60 EXPT, MC 6P-250/1100 FAXT 400/3/50 EU  
MC 6P-250/1100 FA 220-440/3/60 EXPT, MC 6P-250/1100 FA 415/3/50 AU  
MC 6P-200/1100 FAXT 400/3/50 EU  
  
TSB-PPW-2020-009 NA6 FA pump in MC and MH models unstable by-pass  
DE TSB-PPW-2020-009 NA6 FA Pumpe in MC und MH Instabile Bypass Funktion



No.	Part No.	Qty.	Description	Part Note
1	106403122	1	ERGO 2000 STANDARD W.	[1]
1	106403154	1	ERGO 2000 SPRAY GUN W/O LOGO ACC.	[2]
2	106403010	1	TORNADO PLUS 1120 BEND	[3]
3	101119760	1	TORNADO NOZZLE 1300 1/8'	[4]
3	101119747	1	NOZZLE 0680	[5]
3	101119748	1	TORNADO NOZZLE 0700 1/8N	[6]
3	301150005	1	TORNADO NOZZLE 0475	[7]
3	101117655	1	TORNADO NOZZLE 0950 DARK ROSE	[8]
4	106403078	1	TURBOHAMMER PLUS 1130 STR./NOZ. W11 1000	[9]
4	48872	1	TURBOHAMMER NOZZLE W11	[7]
4	301001629	1	REP. KIT TURBOHAMMER W11 100	[8]
5	1402064	1	EXT HOSE 15MTR 3/8	[10]
5	6101766	1	HOSE, COMP. 10M. BLACK, 3	[10]
5	6101767	1	HOSE NON BLACKENING	[10]
5	1402072	1	EXT HOSE 20MTR 3/8	[10]
6	106403145	1	FRONT WHEEL KIT	[11]
7	106403142	1	SANDFILTER RACKED KIT P5 PA/FA P6-P7FA	[12]
8	106403144	1	WATER BRAKE TANK KIT	[13]
8	106403165	1	SANDFILTER FOR WBT KIT	[14]
9	106403160	1	CRANE ROUNDSLING 1000KG 50CM	[15]
10	106403162	1	DETERGENT TANK W. SEALING CAP - 2.5 LTR.	[16]
11	106403143	1	HOSE REEL COMPLETE	[17]
12	101118105	1	HOSE GUIDE COMPLETE	[17]

Part Notes:

- [1] - ERGO 2000 Spray handle
- [2] - UNITOR
- [3] - TORNADO PLUS lance
- [4] - 6-61
- [5] - 6-52 US, 7-67
- [6] - 6-65
- [7] - 6-64
- [8] - 6-79
- [9] - 6-79  
TURBOHAMMER PLUS lance
- [10] - HOSES Overview
- [11] - PRUNED-NO REPLACEMENT  
106403145 - Front wheel kit
- [12] - SANDFILTER KIT POSEIDON 5-6-7 from September 2012
- [13] - PRUNED-NO REPLACEMENT  
106403144 - WATER BRAKE TANK POSEIDON 5-6-7 from September 2012
- [14] - PRUNED-NO REPLACEMENT  
106403165 - SANDFILTER FOR WBT POSEIDON 5-6-7 from September 2012
- [15] - PRUNED ACCESSORY  
Crane roundsling 1000kg 50cm
- [16] - 106403162 - Detergent tank with safety cap
- [17] - Hose reel



No.	Part No.	Qty.	Description	Part Note
	101118106	1	HOSE GUIDE BRAKE	
	101118111	1	HOSE GUIDE KIT	
	101118102	1	HOSE REEL HANDLE KIT	
	101118104	1	SPRING AND LOCK NUT KIT	
	107141632	1	CABLE HOOK	
	107141667	1	LOCK WASHER	
	107141648	1	MANOMETER 0-300 BAR	
	107141679	1	HOSE GUIDE SLEEVE OPEN	
	107141633	1	TERMINAL BLOCK 4Q PE	
	107141627	1	SCREW K50X40 T20	
	107141635	1	DETERGENT TANK	
	107141664	1	CAP FOR DETERGENT TANK	
	107141615	1	RUBBER FOOT	
	107141629	1	HOSE HOOK	
	107141650	1	PLATE FOR MANOMETER	
	107141634	1	REAR END	
	101118103	1	HOSE GUIDE PARTS KIT	
	107141668	1	WATER INLET PIPE NA5/NA6	
	107141630	1	LANCE HOLDER NA	
	107141653	1	MANOMETER TUBE FA MODELS	
	107141676	1	SWIVEL SCREW FOR HOSE	
	101118101	1	HANDLE KIT	
	107141663	1	RUBBER GROMMET	
0A	101117926	1	FILTER	[1]
0A	101118050	1	SEALING KIT FOR NA6	[1]
0A	101118277	1	WATER SEAL NA6 HEAVY	[1]
0A	101118055	1	MAGNET AND HOUSE FOR	[1]
0A	101118056	1	RETURN VALVE BY-PASS -	[2]
0A	101118062	1	OUTLET/INLET VALVE KIT	[1]
0A	101118057	1	SEAL KIT FOR CYLINDER	[1]
0B	101118059	1	RETURN SPRING - KIT NA6	[3]
0B	101118066	1	PISTON KIT NA6	[3]
0B	106408216	1	REED SWITCH	[3]
0C	31000151	1	REAR BEARING EME	[4]
0C	106408210	1	WOBBLE DISC POLISHED 4.3DEG	[5]
0C	3200656	1	NEEDLE BEARING INA K	[4]
0C	106408213	1	WOBBLE DISC POLISHED 7.05DEG	[4]
0C	107143182	1	CAPACITOR 70UF 450/500V RP-3	[4]
0C	106408212	1	WOBBLE DISC POLISHED 5.8DEG	[5]
0C	101118049	1	CONTROL UNIT - KIT NA6	[4]
0C	107141666	1	PCB POSEIDON 5-6-7	[4]
0C	106408202	1	MOTOR 7.5KW. 3X230/400-220/440	[4]
0C	103822303	1	CONTACTOR CJX2-1810 N7	[4]
0C	106408200	1	MOTOR 6.8KW. 3X230/400-220/440	[4]
0C	106408211	1	WOBBLE DISC POLISHED	[6]
0C	301001058	1	CONTACT FOR START STOP	[4]
0C	103822314	1	CONTACTOR CJX2-D32 32A 230V 3P+NO	[4]
0C	107142761	1	START RELAY RVA4G0C	[4]
0C	3200615	1	AXIAL ROLLER BEARING	[4]
0C	106408189	1	NUT M8 X 1 FOR UNLOADER VALVE FA	[4]
0C	106408201	1	MOTOR 5.2KW. 1X230	[4]
0C	301000402	1	RESISTOR 15K NEPTUNE 5/7	[4]
0C	31000149	1	REAR BEARING RF	[4]
0C	106408203	1	MOTOR 4.5KW. 3X230/400-220/440	[4]
0C	64773	1	AUXILIARY CONTACT 100-SBL	[4]
0C	101118067	1	FRONT BEARING COVER CPL.	[4]
0C	101118063	1	INLET MANIFOLD KIT - NA6	[4]
0C	101118051	1	PLUG FOR UNLOADER VALVE	[4]

No.	Part No.	Qty.	Description	Part Note
0C	301000263	1	FUSE 0,63A/500AT #6,	[4]
0C	103822308	1	CONTACTOR CJX2-D25 25A	[4]

Part Notes:

- [1] - A
- [2] - A  
Spring included: OD8,2 x L9,3 x d0,5
- [3] - B
- [4] - C
- [5] - C  
TSB-PPW-2019-007 C3 NA6 Wobble Disc and Bearing Track surface hardening change
- [6] - C  
  
TSB-PPW-2019-007 C3 NA6 Wobble Disc and Bearing Track surface hardening change

