

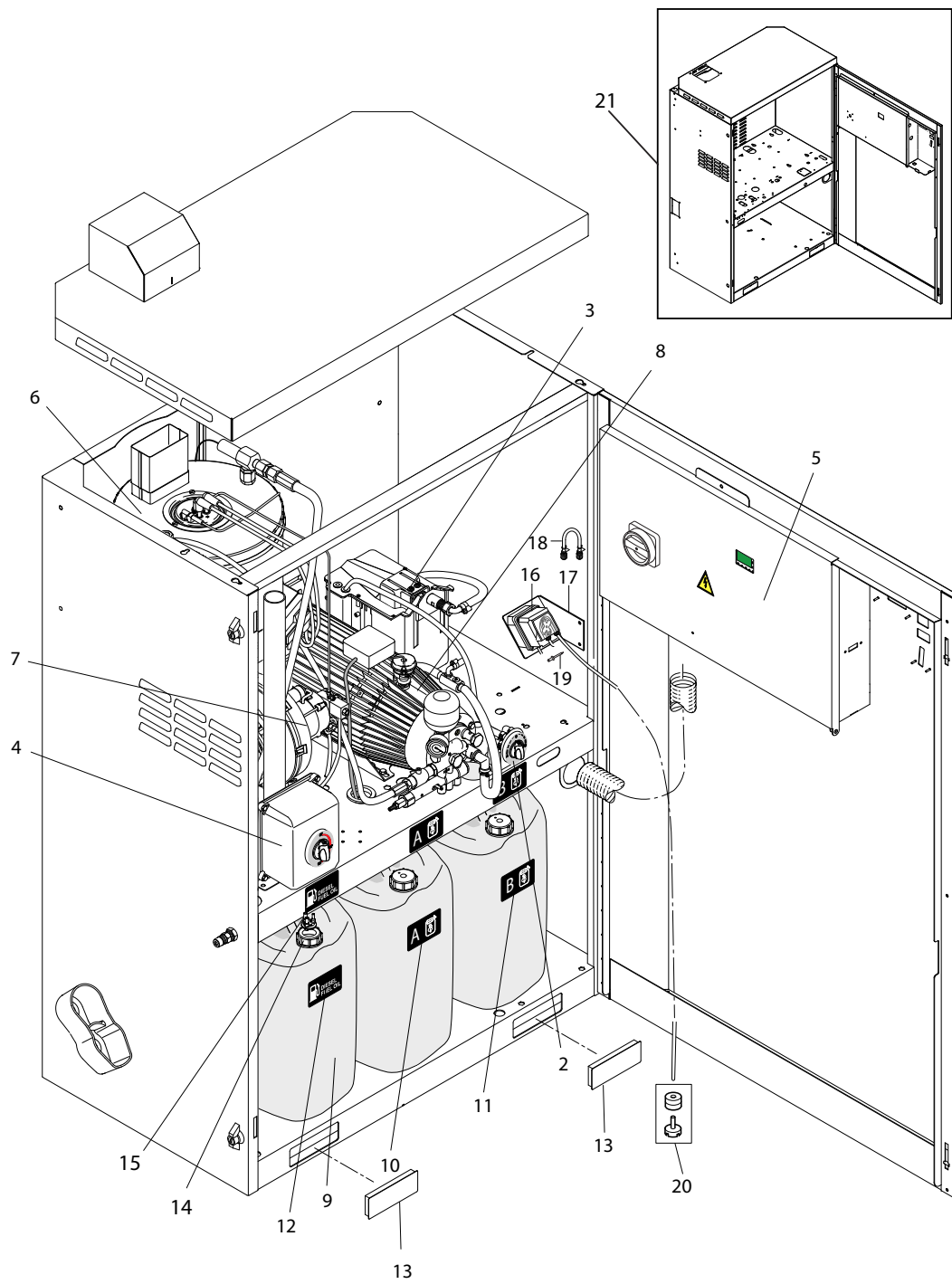
PARTS LIST



2021.05.18

TABLE OF CONTENTS

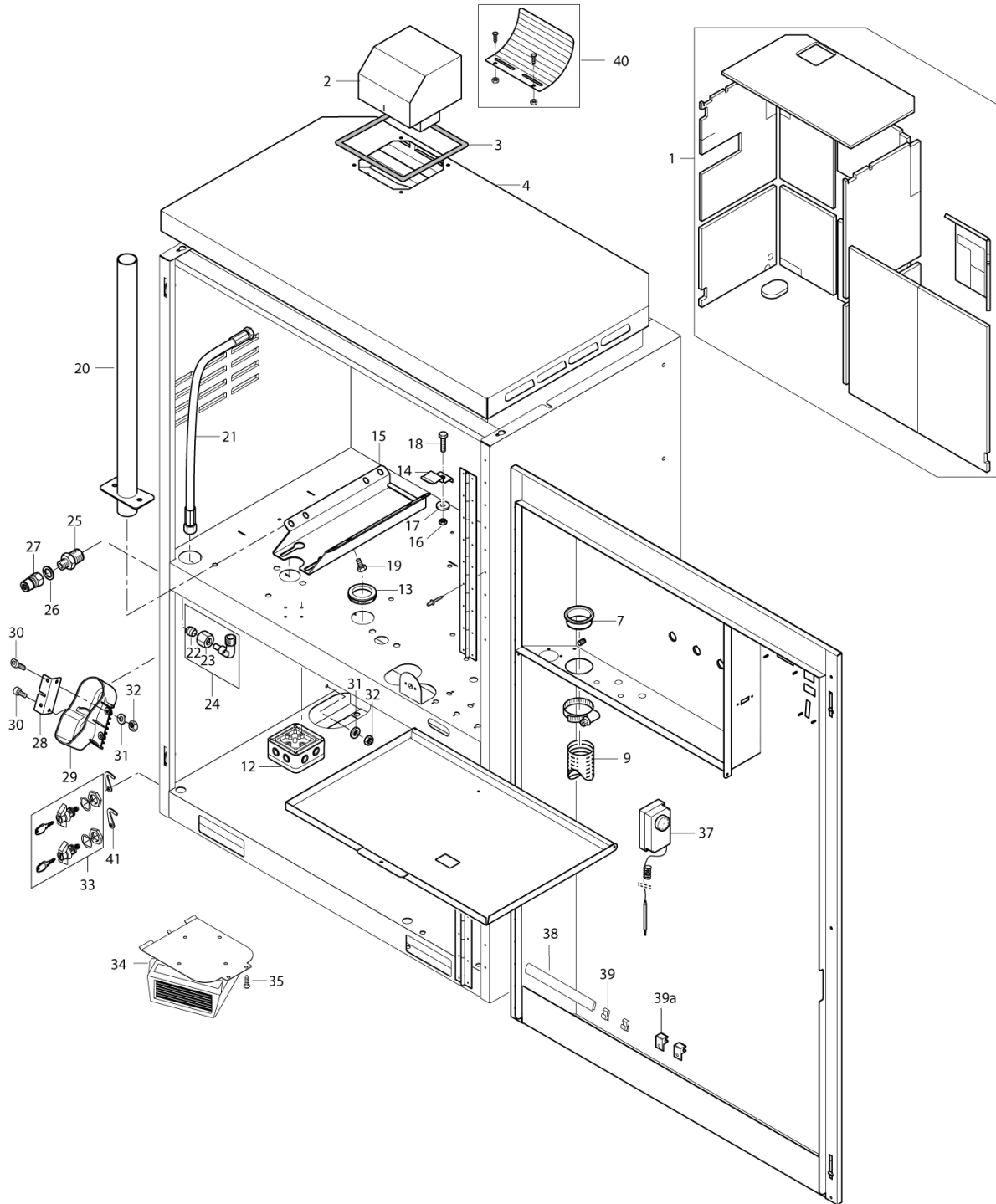
Overview 1	1
Overview 2	3
Dosing - and detergent unit	5
Water tank	7
Electrical components	9
Unloader (a) 7	11
Unloader (b) 7	13
Front door parts	15
Connection plate	17
Cylinder block	19
Motor RF	21
Motor	23
Electric box	25
Fan	27
Boiler	29
Distributor	31
Burner unit from Dec. 2010	33
Burner unit	35
Default accessories	37
107370974 - No-scale	39
107370971 - Anti-frost 1	41
107370971 - Anti-frost 2	43
107370971 - Anti-frost 3	45
Recommended spare parts	47



No.	Part No.	Qty.	Description	Part Note
2		1	Dosing unit	[1]
3		1	Float chamber	[2]
4		1	EL-box	[3]
5		1	Electric parts	[4]
6		1	Boiler	[5]
7		1	Fan	[6]
8		1	Motor pump unit 7	[7]
8		1	Motor pump unit 5	[8]
9	104601164	3	CAN 30/33L	
10	107319150	2	LABEL FOR CHEMICAL A	
11	107319151	2	LABEL FOR CHEMICAL B	
12	4209193	2	LABEL FOR OIL FILLING	
13	107318058	2	COVER PLATE COMPL.	
14	107318059	1	CAPSULE	
15	301001276	1	PLUG \bar{A} 40X42	[9]
16	103822206	1	CHEMICAL PUMP. MAX. 13L/	[10]
17	107313287	1	SUPPORT FOR CHEMICAL PUMP	[10]
18	103822265	1	HOSE FOR CHEMISTRY PUMP	[10]
19	1814128	4	BIFURCATED RIVET 4X10.3 1453	[10]
20	31000101	1	FILTER AND LOCK FOR CHEMICAL PUMP	[10]
21	107318247	1	CABINET COMPLETE AUTO/TRUCK B.	

Part Notes:

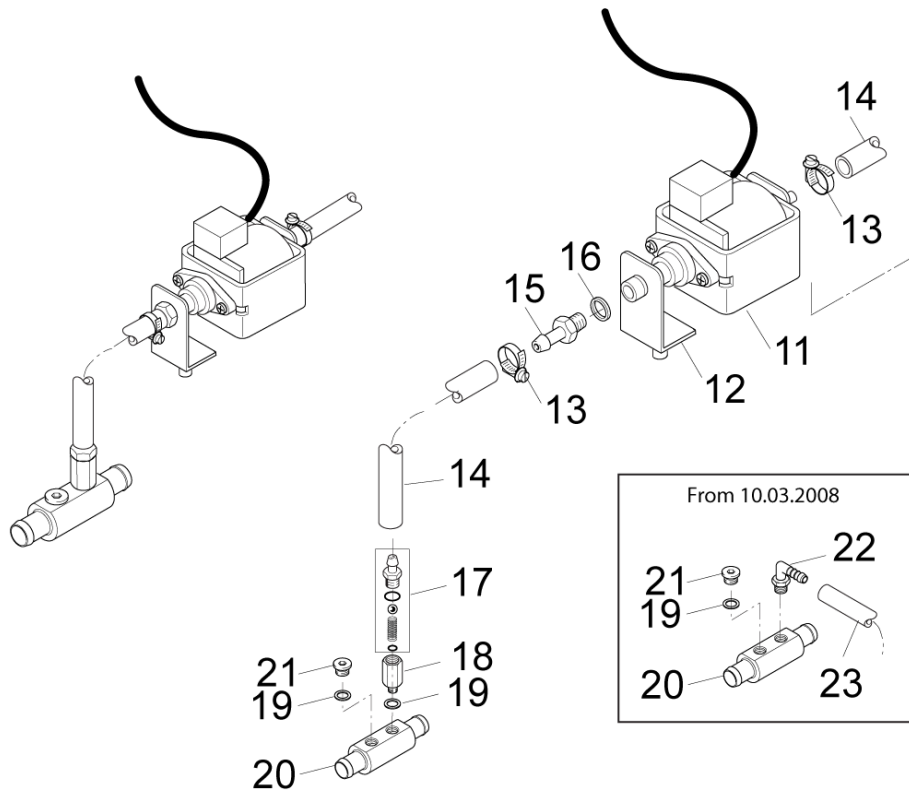
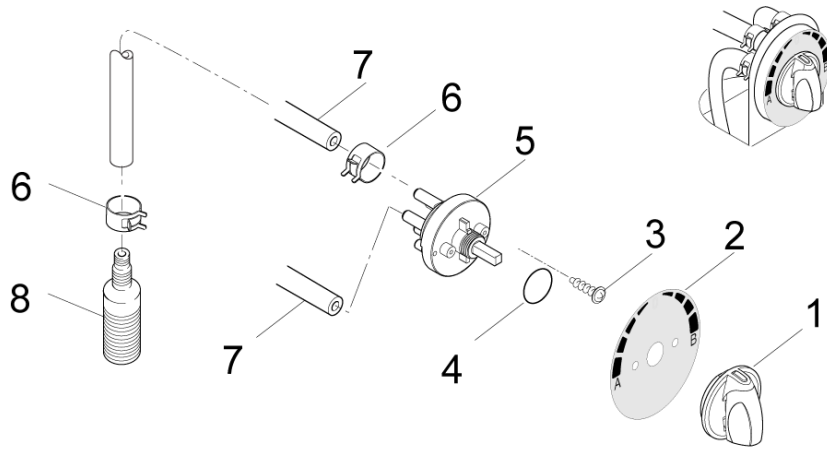
- [1] - Dosing unit
See Dosing - and detergent unit
- [2] - Float chamber
See Float chamber
- [3] - EL-box
See EL-box
- [4] - Electric parts
See Electric parts
- [5] - Boiler
See Boiler
- [6] - Fan
See Fan
- [7] - Motor pump unit 7
See Motor pump unit (e) 7
- [8] - Motor pump unit 5
See Motor pump unit (e) 5
- [9] - TSB-PPW-2013-001 301000620, 301001276
- [10] - From 10.03.2008



No.	Part No.	Qty.	Description	Part Note
1	107318029	1	ISOLATION. COMPLETE. AUTO/TRUCK	
2	107313246	1	CHIMNEY. WELDED	
3	5218753	1	RUBBER PROFIL A	
4	107313231	1	CABINET TOP	
7	107313243	1	JUNCTION-PIECE	[1]
9	5226305	1	FLEXIBLE HOSE 76/ 60 GREY	
12	103822013	1	DISTRIBUTOR BOX AUTO BOOSTER	
13	103004331	2	SLEEVE PVC 45/ 60	
14	107313021	1	SPRING LOCK FOR MOTOR	[2]
15	107313022	1	FITTING FOR M/P	[2]
16	1802966	3	NUT HEX M10 A2 DIN 934	[2]
17	1801968	3	TOOTHED LOCK WASHER M10 FZB DIN6798	[2]
18	1810209	3	SCREW HEX M10X20 A2 DIN6921	[2]
19	1802651	4	SCREW M10 x 20	
20	107313052	1	CENTRAL TUBE	
21	101405741	1	HIGH PRESSURE HOSE 15'	
22	1080	1	UNINION FOR 1801	
23	1081	1	UNION NUT HOSE REEL	
24	101118094	1	COUPLING KIT 90D ISO	
25	6200484	1	SCREWED CONNECTION	
26	1801075	1	PACKING RING	
27	1603101	1	QUICK COUPLING NIPPLE 03K	
28	107313060	1	SUPPORT FOR LANCE	
29	107313257	1	SUPPORT FOR LANCE.	
30	1814375	4	SCREW M6X12	
31	1813807	4	WASHER 6.4/18.0X1.6 A ISO7090 VA	
32	33158	4	LOCK NUT M6 A2 DIN 985	
33	101814750	1	2X LOCK AND KEY	
34	107316095	1	FAN HEATER. COMPLETE	
35	4814109	4	SCREW 8X16 STAINLESS STEEL	
37	103822056	1	THERMOSTAT -3 5 - +35DGC	
38	5218090	1	EDGE RAIL 9X6.5	
39a	104601170	2	CLIP 6 PLASTIC	[3]
40	107318048	1	EXHAUST DIVERTER AUTO/TRUCK ACCESSORY	[4]
41	107313217	1	HOOK-LOCK	

Part Notes:

- [1] - CLOSED WHEN STOCK EMPTY
Used before 2011
- [2] - 7-63D
- [3] - from 27. april 2006
- [4] - Access.



Resource notes:

See Technical Service Bulletin SPW-039 New Adjustable Detergent Pump

No.	Part No.	Qty.	Description	Part Note
1	909100207	1	ROTARY KNOB	[1]
2	107319132	1	LABEL A AND B	[2]
3	1803519	2	SHEET METAL SCREW BZ 6X6	[3]
4	9868	1	O-RING 10.2X2.5 NBR 70	[4]
5	301001000	1	valve dia 51x70	[5]
6	11654	4	HOSE CLAMP Ø11.5	[4]
7	4973	4	HOSE Ø6X3	[4]
7	101406100	1	HOSE DN 6X3 5M	
8	107145440	1	STRAINER VALVE COMPL. KIT	[4]
11	107316070	1	PUMP CHEMICAL WITH CABLE	[6]
12	7090720	1	PUMP GUIDANCE	[7]
13	1807593	2	CLIP 7-13 MM RUSTPROOF	[4]
14	4973	1	HOSE Ø6X3	[4]
14	101406100	1	HOSE DN 6X3 5M	
15	107318006	1	HOSE TAIL Ø6XG1/8	[7]
16	3004303	1	O-RING 6.07x1.78 NBR 90SH	[8]
17	1119406	1	NON RETURN VALVE REP.KIT	[4]
18	107318004	1	SPACER	[7]
19	2838	1	PACKING RING 10X14X3	
20	107318005	1	HOSE TALL DOUBLE	
21	6180660	1	PLUG G	
22	101609375	1	HOSE SOCKET ELBOW Å~4X1/8	[9]
23	107318062	1	HOSE SILICONE 6/ 4X5M	[9]

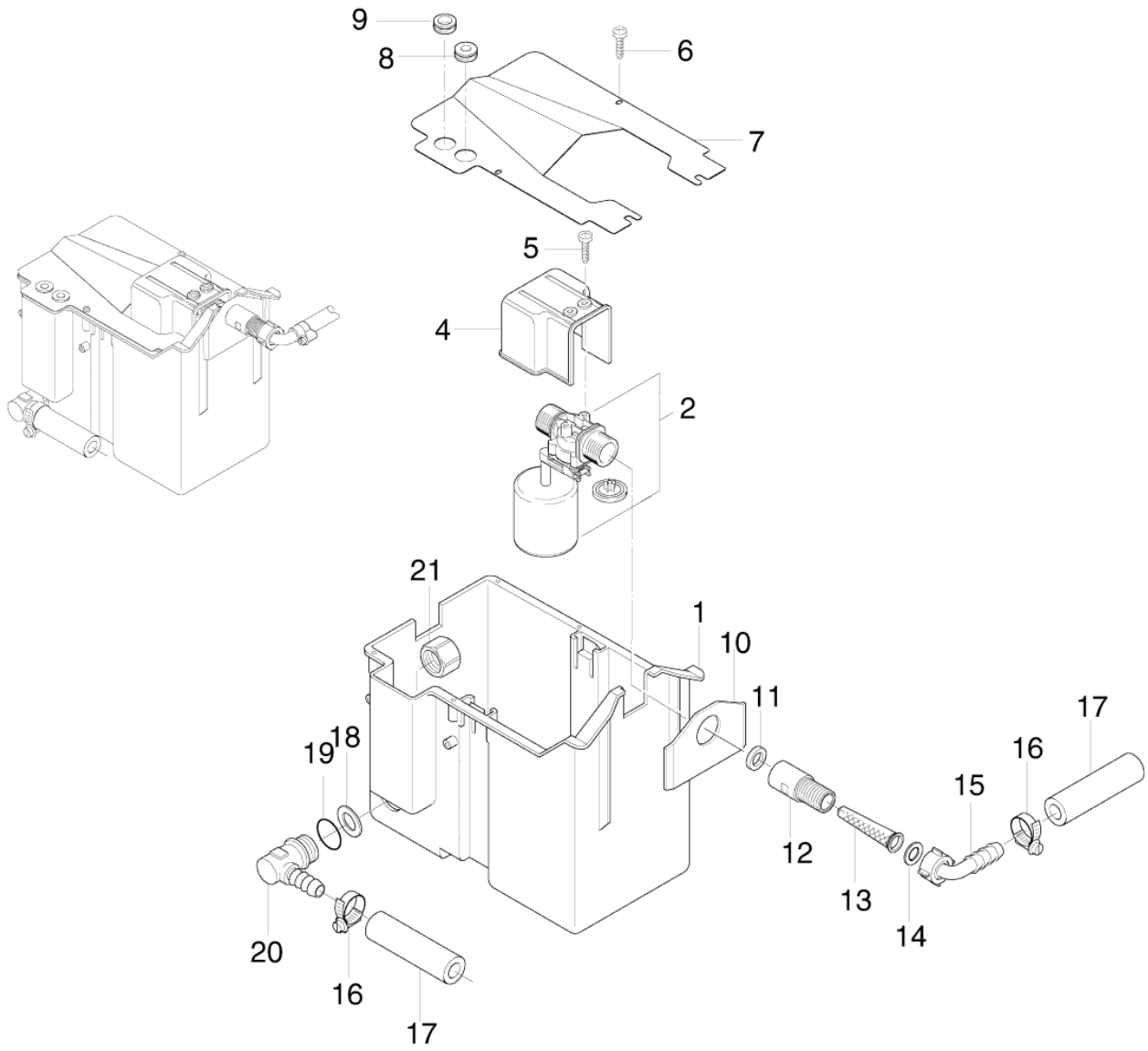
Part Notes:

- [1] - STOCK COVERS GUARANTEE

Up to 10.03.2008
TSB-PPW-2011-007 Detergent Pump in old models
- [2] - CLOSED WHEN STOCK EMPTY

Up to 10.03.2008
TSB-PPW-2011-007 Detergent Pump in old models
- [3] - Up to 10.03.2008
CLOSED WHEN STOCK EMPTY
- [4] - Up to 10.03.2008
- [5] - Up to 10.03.2008

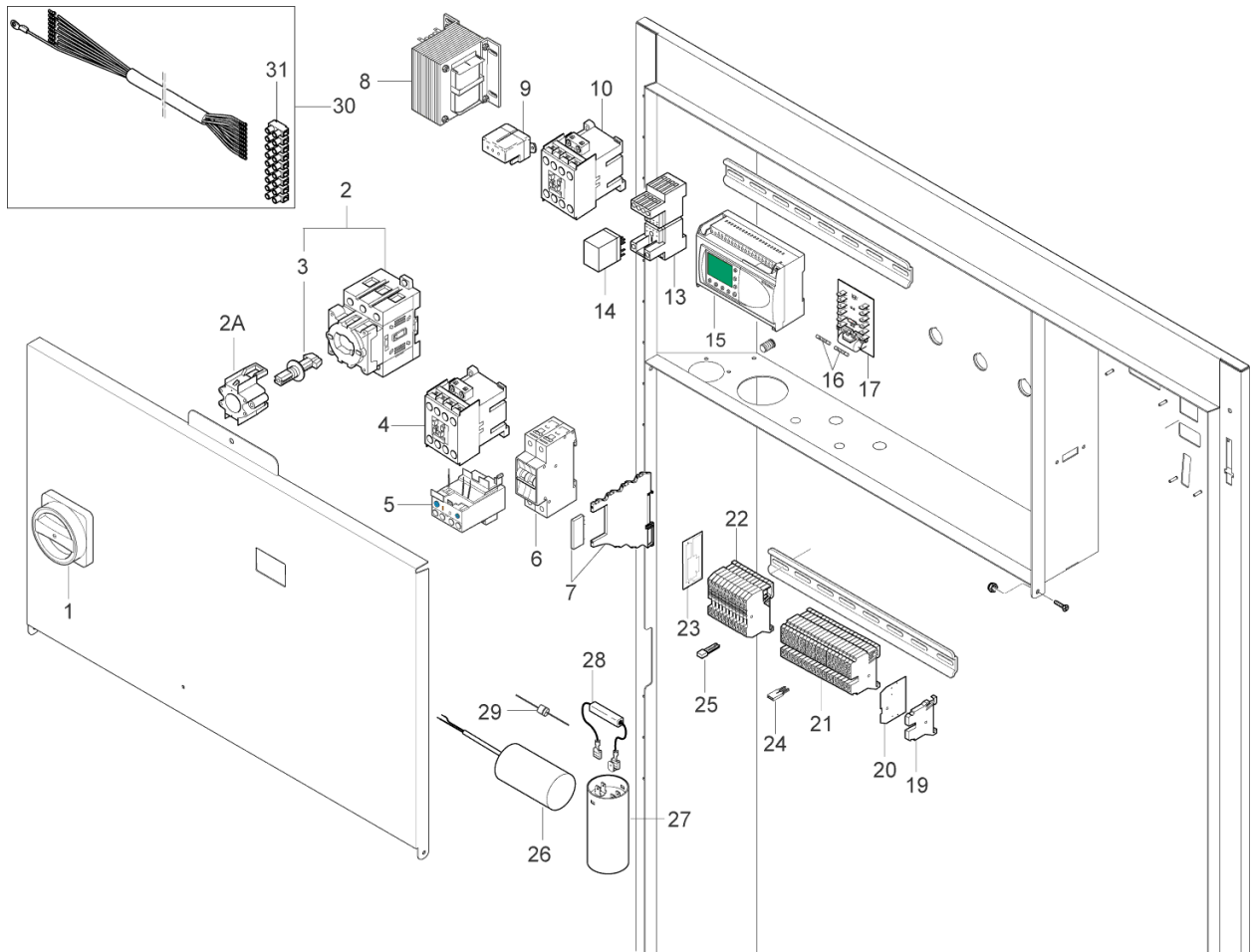
TSB-PPW-2011-007 Detergent Pump in old models
- [6] - See SPW-039 New Adjustable Detergent Pump
REFER TSB-PPW-2011-007
TSB-PPW-2011-007 Detergent Pump in old models
- [7] - Up to 10.03.2008
GUARANTEE DATE EXPIRED
- [8] - Up to 10.03.2008
STOCK COVERS GUARANTEE
- [9] - From 10.03.2008



No.	Part No.	Qty.	Description	Part Note
1	44236	1	WATER BREAK TANK	
2	103403267	1	FLOAT VALVE, COMPL.	
4	34240	1	COVER	
5	16860	1	SCREW 4X12	
6	101814797	2	SCREW M5X12 A2 DIN85	[1]
7	107302155	1	COVER	
8	5172	1	RUBBER BUSH	
9	3001427	1	RUBBER LEAD IN	
10	54700	1	PLATE 1.0X96X63 VA	
11	3001237	1	GASKET Ø24.5XØ16X3	
12	107302120	1	FILTER HOUSING	
13	6100941	1	FILTER L 7CM	
14	15587	1	PACKING RING 14X24X2	
15	107142766	1	HOSE NOZZLE	
16	1810191	4	HOSE CLIP 13-27 A4 SS	
17	106408242	1	HOSE 5/8INCH - 2 METERS	
18	107307369	1	GASKET 21X30X2	
19	3004310	1	O-RING 20.35X1.78 NBR 90SH	
20	3448	1	HOSE LINER W DN13 GÄÄ! KU	
21	107350218	1	UNION NUT 1/2	

Part Notes:

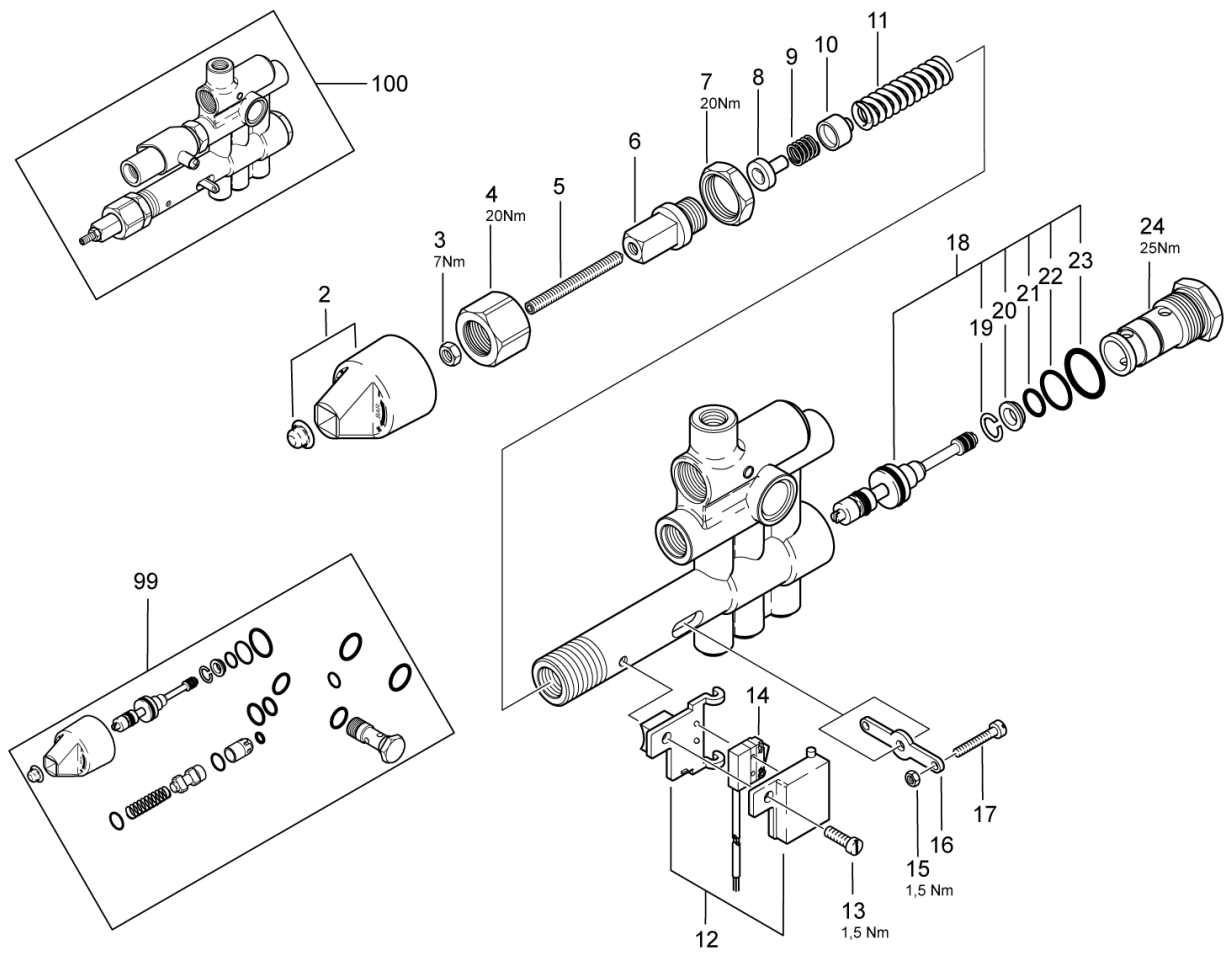
[1] - STOCK COVERS GUARANTEE



No.	Part No.	Qty.	Description	Part Note
1	3830121	1	KNOB FOR MAIN SWITCH	
2	103821919	1	MAIN SWITCH 25A	
2A	103821907	1	SHAFT FOR MAIN SWITCH 194L-G2853	
3	103821960	1	HANDLEBAR FOR MAIN SWITCH 25 A	
4	103822307	1	CONTACTOR CJX2-D18 18A 24V 3P+NC	[1]
4	103822306	1	CONTACTOR CJX2-D18-B7 24V	[2]
5	103822328	1	THERMAL RELAY 17-25AMP	[3]
5	103822327	1	THERMAL RELAY 12-18AMP	[4]
6	103822011	1	SAFETY DEVICE AEG C10 1P-N	[1]
6	103822012	1	SAFETY DEVICE C 10A 2P 10KA 230/400V AC	[5]
7	103821828	1	RELAY SNR 24V	[1]
8	103822062	1	CONTROL TRANSFORMER 3X200V 50H	[6]
8	103821847	1	CONTROL TRANSFORMER 230V	[7]
9	11060	1	START RELAY NEPTUNE 5/7	[8]
10	103822306	1	CONTACTOR CJX2-D18-B7 24V	[9]
13	103822021	1	SOCKET 2 POL	[10]
14	103822020	1	RELAY 2 POL 12A 24V AC	[10]
15	106426080	1	PLC TRUCK BOOSTER	
16	3812385	1	FUSE 5X20	[11]
17	106420051	1	CIRCUIT BOARD UNO/DUO BOO	
18	103822014	1	PLUG SOCKET 230V SCHUKO	
19	103821922	6	DIN-END STOP WO/SCREW	
20	103821921	2	END PLATE	
21	103821920	22	WIRE TERMINAL	
22	103821967	8	WIRE TERMINAL WAGO281	
23	103821968	1	END PLATE WAGO 4MM2	
24	103821923	1	JUMPER 2-POL.	
25	103821969	1	JUMPER	
26	301001017	1	CAPACITOR 60PF/450V	[8]
27	301000403	1	START CAPACITOR 98UF	[8]
28	301000402	1	RESISTOR 15K NEPTUNE 5/7	[8]
29	64440	2	DIODE 6A80 6A 800V	
30	107318161	1	MOTOR CABLE WITH TYCO PLUG TRUCK/AUTO	
31	101117839	1	TERMINAL PLUG AND	

Part Notes:

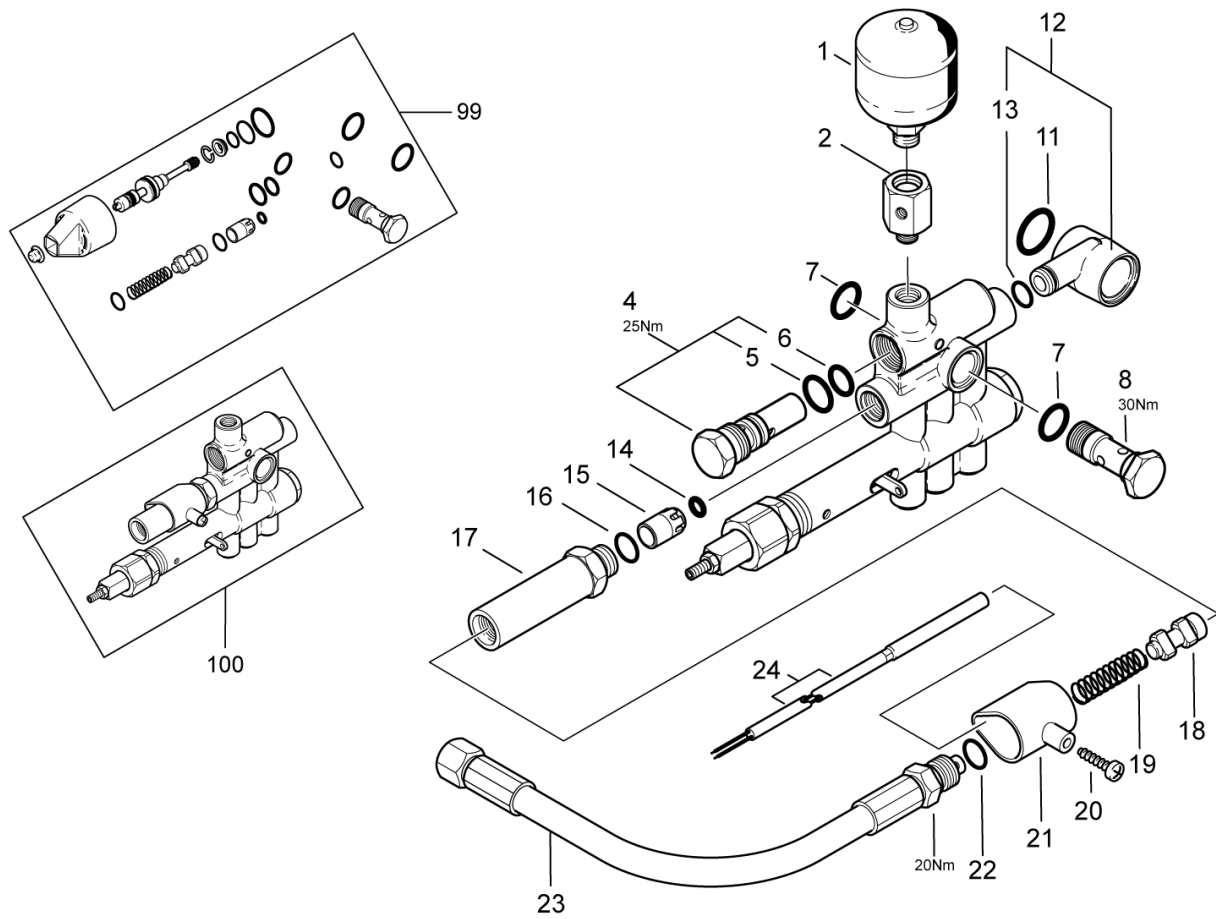
- [1] - 400-440V, (1X230V)
- [2] - 400/200/230
- [3] - 17-28A
- [4] - 12-16A
- [5] - 3X200-230V
NO LONGER AVAILABLE
- [6] - 3x200V 50Hz, JP
- [7] - 230V, 24/19V
- [8] - 1X230V
- [9] - AB 16A 24V
- [10] - 3X200-230V
- [11] - 6,3A 15X20



No.	Part No.	Qty.	Description	Part Note
2	62397	1	ROTARY BUTTON	[1]
3	3136	1	HEXAGON NUT M6	[2]
4	62710	1	UNION NUT M24X1,5X21	[2]
5	62711	1	SET SCREW M6X60	[2]
6	62712	1	HOLLOW SCREW M16X1X9 4KT SW12X40 ZN	[2]
7	62696	1	HEXAGON NUT M24X1.5X6	[2]
8	62695	1	SPRING SUPPORT	[2]
9	62713	1	SPRING	[2]
10	62694	1	SPRING SUPPORT	[2]
11	40972	1	SPRING 3.5X10.5X54	[2]
12	62401	1	HOUSING FOR MICROSWITCH	
13	3349	1	SCREW M5X16	
14	301000731	1	END SWITCH 250V	
15	2759	1	REFER TO PART NO: 7090780	
16	62717	1	CONTACT STUD	[2]
17	101117739	1	SCREW HEX M4X22-8.8 A2K	
18	64314	1	REPAIR KIT PISTON BYPASS	[3]
19	909100001	1	RING Ø14 B DIN 7993	[3]
20	62708	1	SEAT	[3]
21	49461	1	O-RING Ø 11X1,5	[3]
22	9523	1	O-RING	[3]
23	32091	1	O-RING	[3]
24	64301	1	SCREW M24*1,5	[2]
99	301001195	1	REPAIR KIT UNLOADER VALVE	
100	301000903	1	UNLOADER VALVE "NEPTUNE"	

Part Notes:

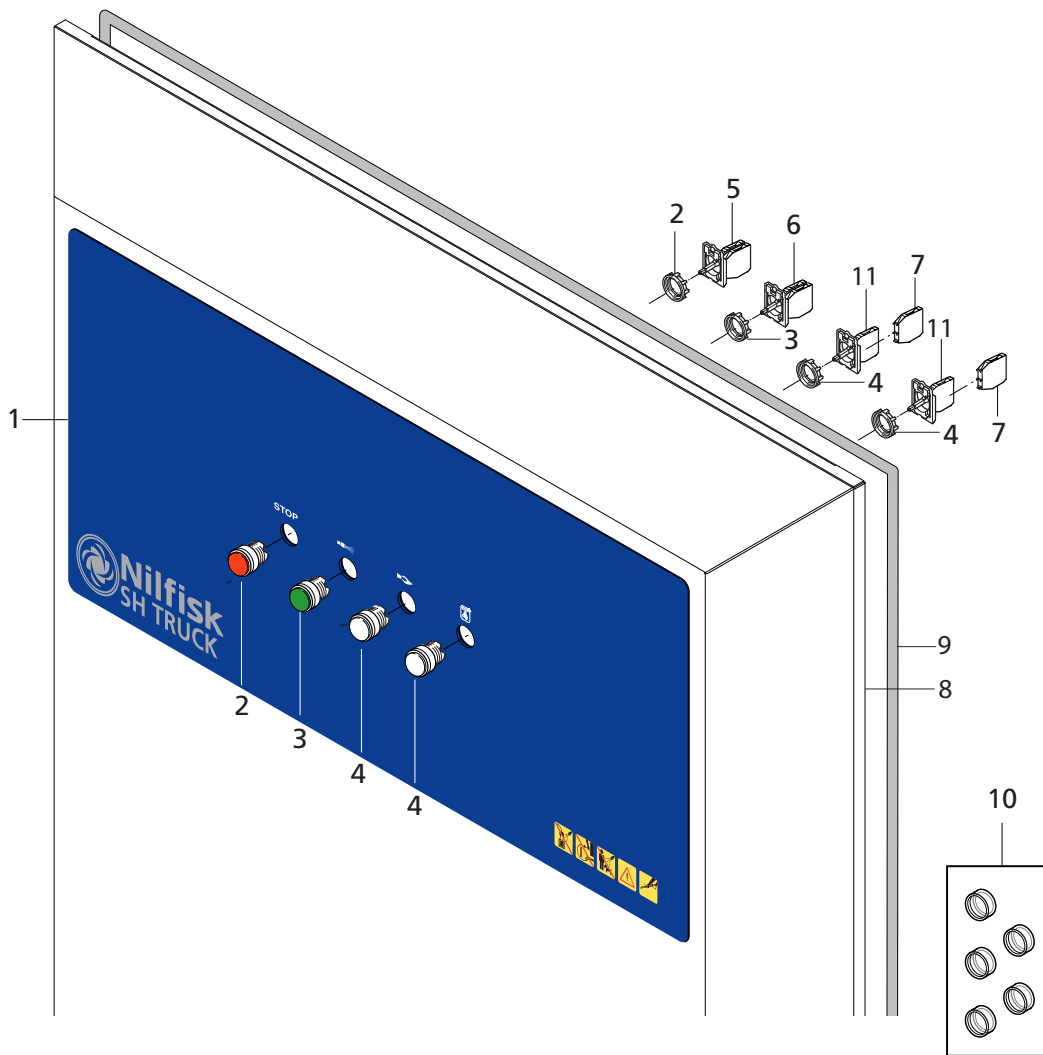
- [1] - part of pos.99
- [2] - part of pos. 100
- [3] - part of pos. 100 and 99



No.	Part No.	Qty.	Description	Part Note
1	63090	1	ACCUMULATOR NEPTUNE 5/7	
2	107312001	1	SOCKET	
4	301000911	1	SAFETY VALVE COMPLETE 250	
5	16443	1	O RING 17.0X2.0	[1]
6	62706	1	O-RING 13.0x2.0 DIN	[1]
7	16443	2	O RING 17.0X2.0	[1]
8	62697	1	BANJO BOLT	[1]
11	24347	2	O RING 21.0x2.5	[1]
12	63058	1	CONNECTION	
13	13739	1	O-RING Ø 10X2	[1]
14	56519	1	O-RING Ø6,5X3	[2]
15	301000905	1	PISTON Ø14,6X25,5	[2]
16	16998	1	O-RING	[2]
17	62722	1	FITTING	[3]
18	63538	1	CONTACT PISTON	[1]
19	6231	1	SPRING	[1]
20	10028	1	SCREW KA50X14 WN1411	[3]
21	62399	1	BRACKET REED SWITCH	[3]
22	62706	1	O-RING 13.0x2.0 DIN	[1]
23	101406030	1	HIGH PRESSURE HOSE,	
24	301002458	1	REED SWITCH	
99	301001195	1	REPAIR KIT UNLOADER VALVE	
100	301000903	1	UNLOADER VALVE "NEPTUNE	

Part Notes:

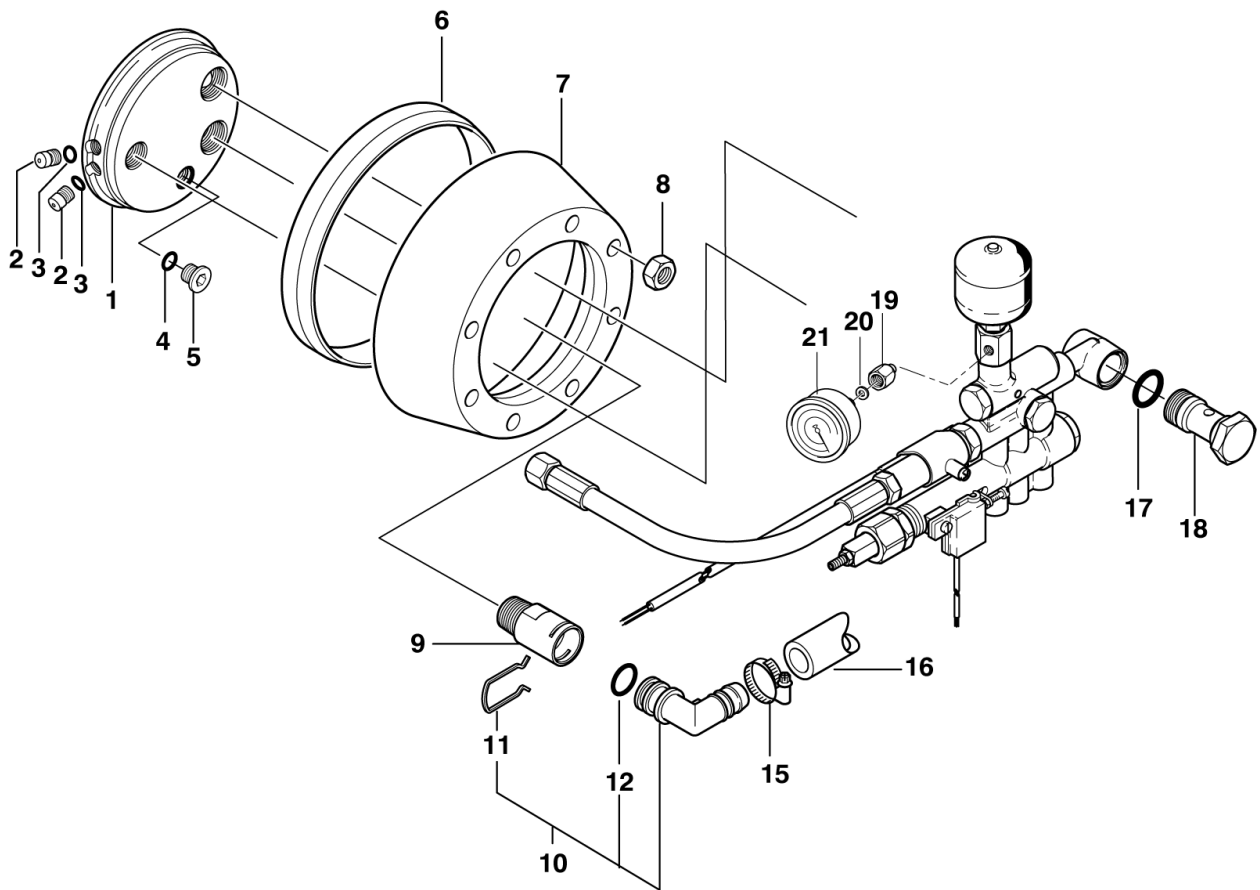
- [1] - part of pos. 99
- [2] - part of pos. 99 and 100
- [3] - part of pos. 100



No.	Part No.	Qty.	Description	Part Note
1	107319200	1	FRONT LABEL NILFISK/ALTO	
2	103821824	1	SIGNAL LIGHT ATTACHMENT	
3	103821823	1	SIGNAL LIGHT ATTACHMENT G	
4	103822008	1	SIGNAL LIGHT ATTACH. WHIT	
5	103821826	1	SOCKET OF INDICATOR-BRAKE	
6	103821825	1	SOCKET OF INDICATOR-MAKE	
7	103821963	2	NO CONTACT ZB5 AZ101	
8	107313213	1	CABINET DOOR	
9	106268068	1	GASKET KIT	[1]
10	107318028	1	PROTECTION COVER 5 PCS.	
11	103822007	2	SOCKET FOR INDICATOR	

Part Notes:

[1] - L= 6,5M



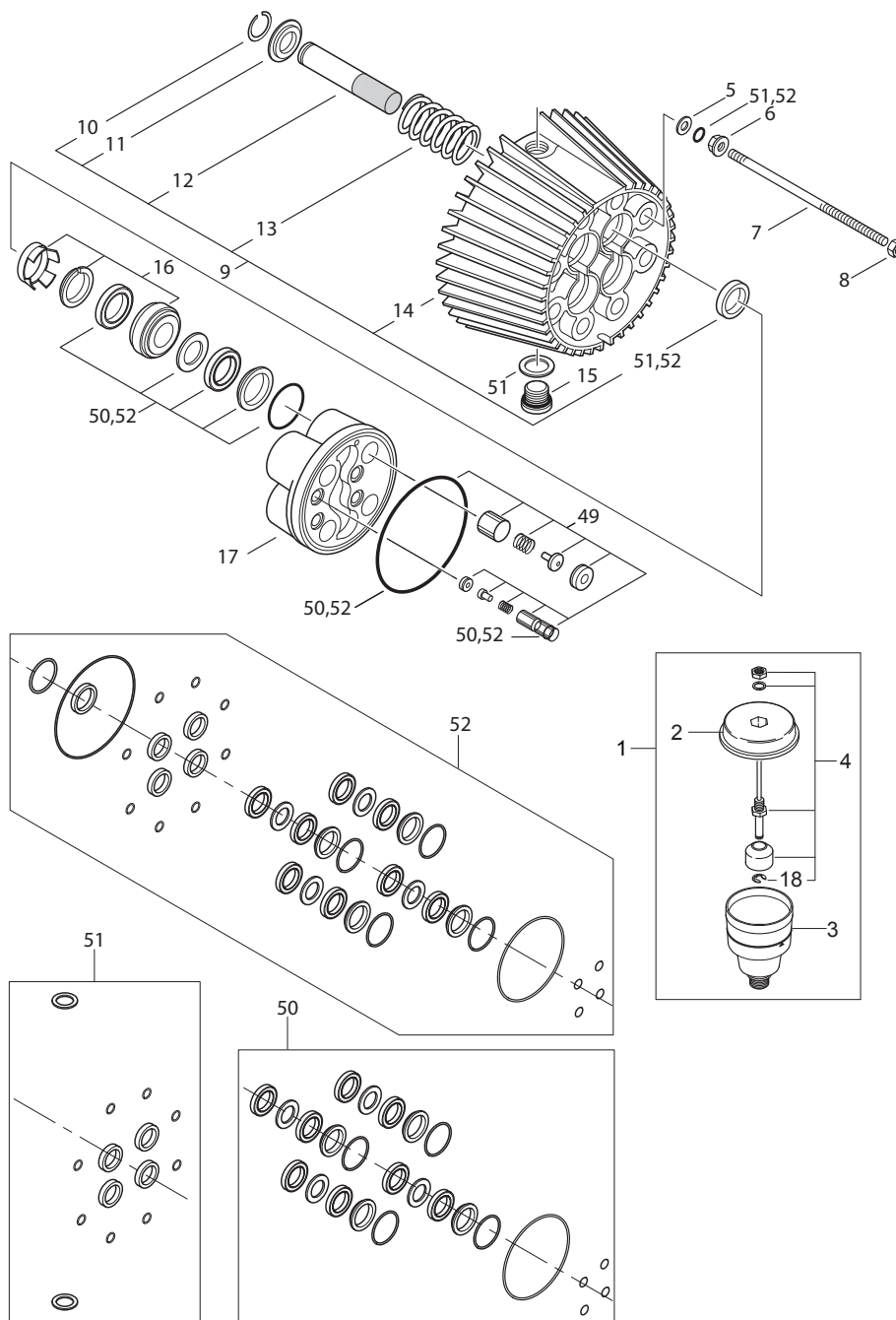
Connection plate

TRUCK BOOSTER 7-63 / SH TRUCK 175/1260

2017.11.02

2015.08.21

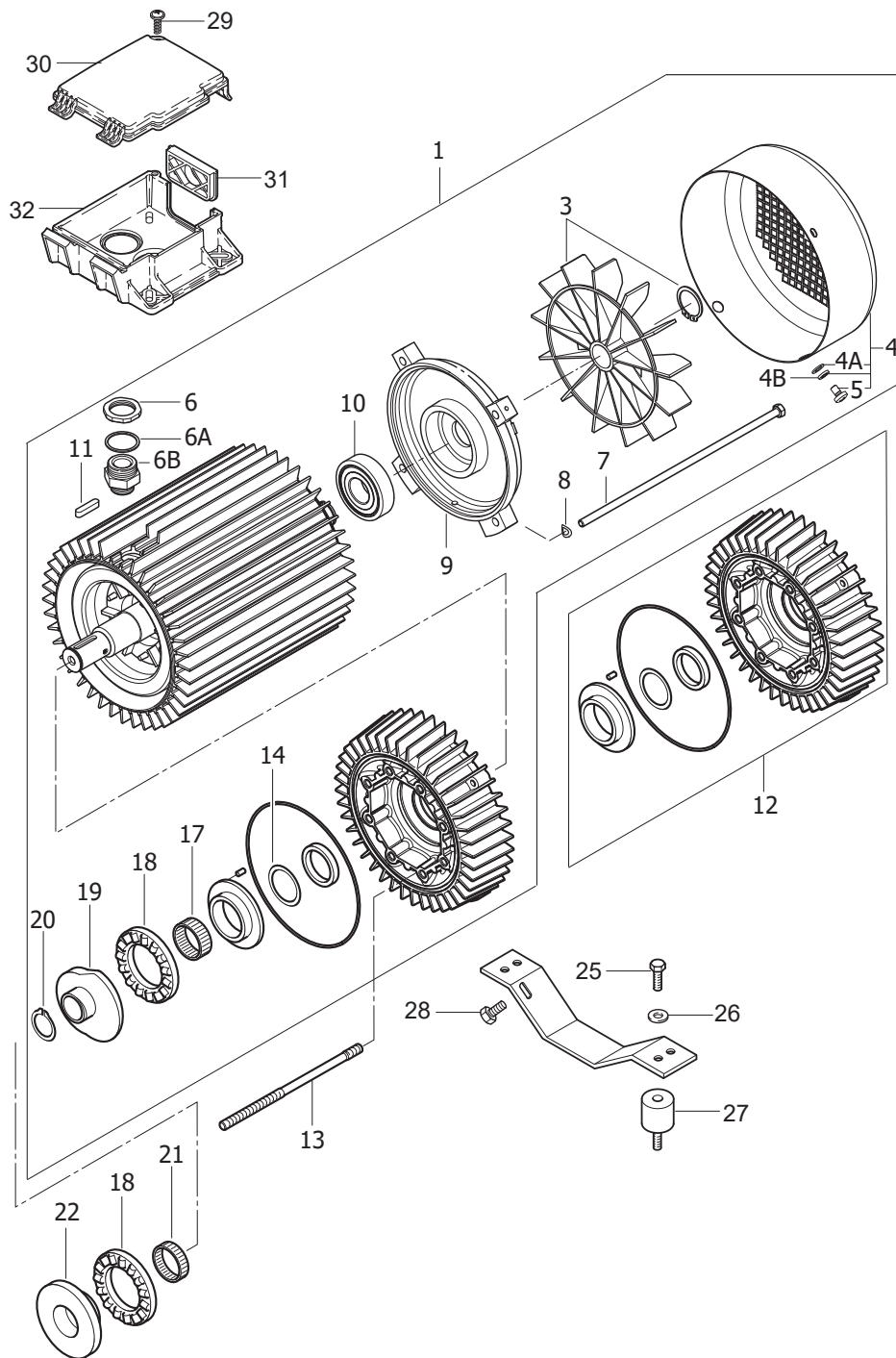
No.	Part No.	Qty.	Description	Part Note
1	107121500	1	CONNECTION PLATE	
2	107121501	2	PLUG DIA 8X10.5	
3	3000270	2	O-RING	
4	3001740	1	O-RING 7.66X1.78 NITRIL 7	
5	6180660	1	PLUG G	
6	6301392	1	SPACER RING FOR MOTOR-PUM	
7	6100602	1	CLIP	
8	1800465	8	NUT M10 REPLACES 1101240	
9	107121502	1	INLET SOCKET	
10	1119210	1	REP.KIT, INLET ELBOW	
11	6180661	1	HOOK	
12	3004226	1	O-RING 13.0x3.0 SMS	
15	106408242	1	HOSE 5/8INCH - 2 METERS	
16	8298	1	HOSE CLIP	
17	24347	1	O RING 21.0x2.5	
18	107121503	1	BANJO BOLT	
19	107120603	1	NIPPLE FOR PRESSURE	
20	1602127	1	RING FOR PRESSURE GAUGE	
21	3600301	1	USE PART NO : 3601262	



No.	Part No.	Qty.	Description	Part Note
	31001229	1	OIL ISO 150 ALPHASYN-T 20L	
0-	5218433	1	PUMP OIL 150 1*1 L	[1]
1	301000616	1	LEVEL INDICATOR, PUMP OIL	
2	301000615	1	OIL TANK COVER	
3	301000614	1	OIL TANK	
4	301001196	1	FLOAT SWITCH	
5	6100718	8	WASHER	
6	6100719	8	THRUST COLLAR	
7	6301368	8	STUDS	
8	1800465	8	NUT M10 REPLACES 1101240	
9	6300071	1	CYLINDER BLOCK	
10	1802529	4	LOCK RING SW24	
11	6100666	4	RING F. RETURN SPRING	
12	6301166	4	CERAMIC PISTON C3	
13	102602517	4	RETURN SPRING R/P#2602274	
14	6100610	1	CYLINDER BLOCK	
15	6150400	1	DRAIN PLUG	
16	101119850	4	KIT THRUSTRING +BACK UP	
17	107120701	1	CYLINDER HEAD C3	
18	107142593	1	HOLDING WASHER PE	[2]
49	1119310	1	VALVE SYSTEM 02/A2/03	[3]
50	1119571	1	REP.KIT F. GASKETS (RED.)	[3]
51	1119820	1	REP.KIT OILGASKET 03/C3	
52	1119570	1	REP.KIT GASKETS, MPS	

Part Notes:

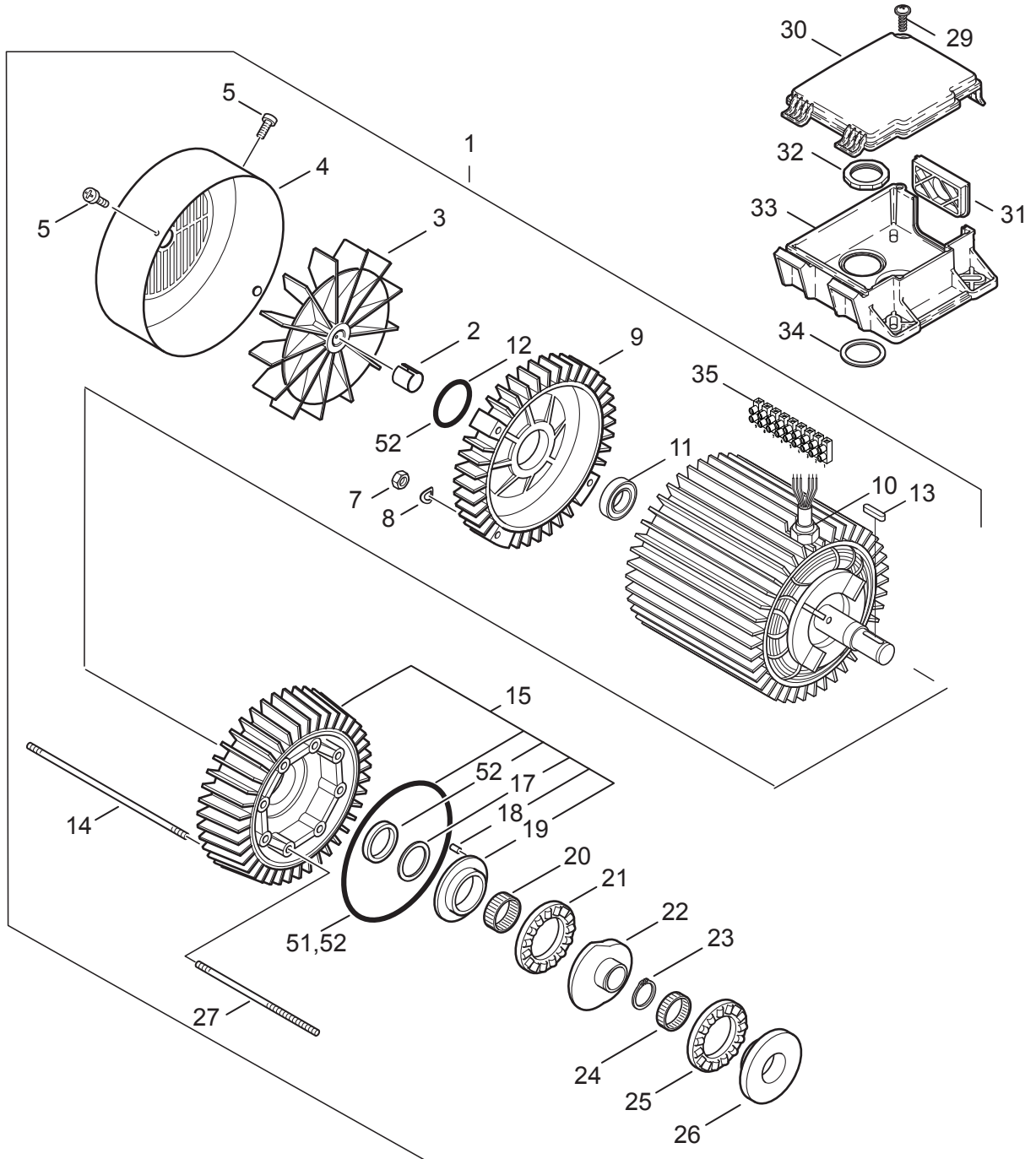
- [1] - 1,1 l - OIL TYPES_QUANTITY for HPW_APRIL 2017
 [2] - TSB-PPW-2016-017 Locking ring for oil level switch falling off
 [3] - TSB-PPW-2016-011 Rep kit 1119571 and 1119570 potential have wrong O-ring in kit



No.	Part No.	Qty.	Description	Part Note
	31001229	1	OIL ISO 150 ALPHASYN-T 20L	
0	5218433	1	PUMP OIL 150 1*1 L	
1	101118226	1	MOTOR 6.5KW 400 415 230 3 50 KIT	
2		1	Shaft retaining ring Ø28x1.2	
3	107142275	1	FAN INCL. LOCK RING	
4	107142276	1	COVER FOR FAN	
4A		4	Plain washer M5 DIN125A galv	
4B		4	Lock washer M5 DIN 7980 A zinc plated	
5	1813781	2	SCREW M5X8	
6	20862	1	HEXAGON NUT R1 DIN 431	
6A	103004340	1	GASKET 1 INCH	
6B	107302152	1	BUSH G1 AG/G3/4	
7	31000493	4	STAY BOLT 306 MM	
8	1801182	4	SPRING WASHER M8	
9	107142277	1	REAR BEARING COVER	
10	31000149	1	REAR BEARING RF	
11	3200672	1	KEY 6X6X32	
12	107140615	1	FRONT BEARING COVER	
13	6301368	8	STUDS	
14	6100995	1	WASHER	
17	3200656	1	NEEDLE BEARING INA K	
18	3200615	2	AXIAL ROLLER BEARING	
19	107120716	1	WOBBLE DISC	[1]
20	1802511	1	SEGER CIRCLIP	
21	3200664	1	NEEDLE BEARING	
22	107120704	1	BEARING TRACK	[1]
25	1803089	4	SCREW INSEX M8X12	
26	1800317	4	WASHER (1100410 4101660)	
27	107318091	4	VIBRATION DAMPER M8	
28	1802651	2	SCREW M10 x 20	
29	10028	1	SCREW KA50X14 WN1411	
30	301000782	1	COVER ELEC.BOX 128,2X	
31	17106	1	INSET	
32	301000781	1	ELECTRIC BOX	
98	1119820	1	REP.KIT OILGASKET 03/C3	
99	1119570	1	REP.KIT GASKETS, MPS	

Part Notes:

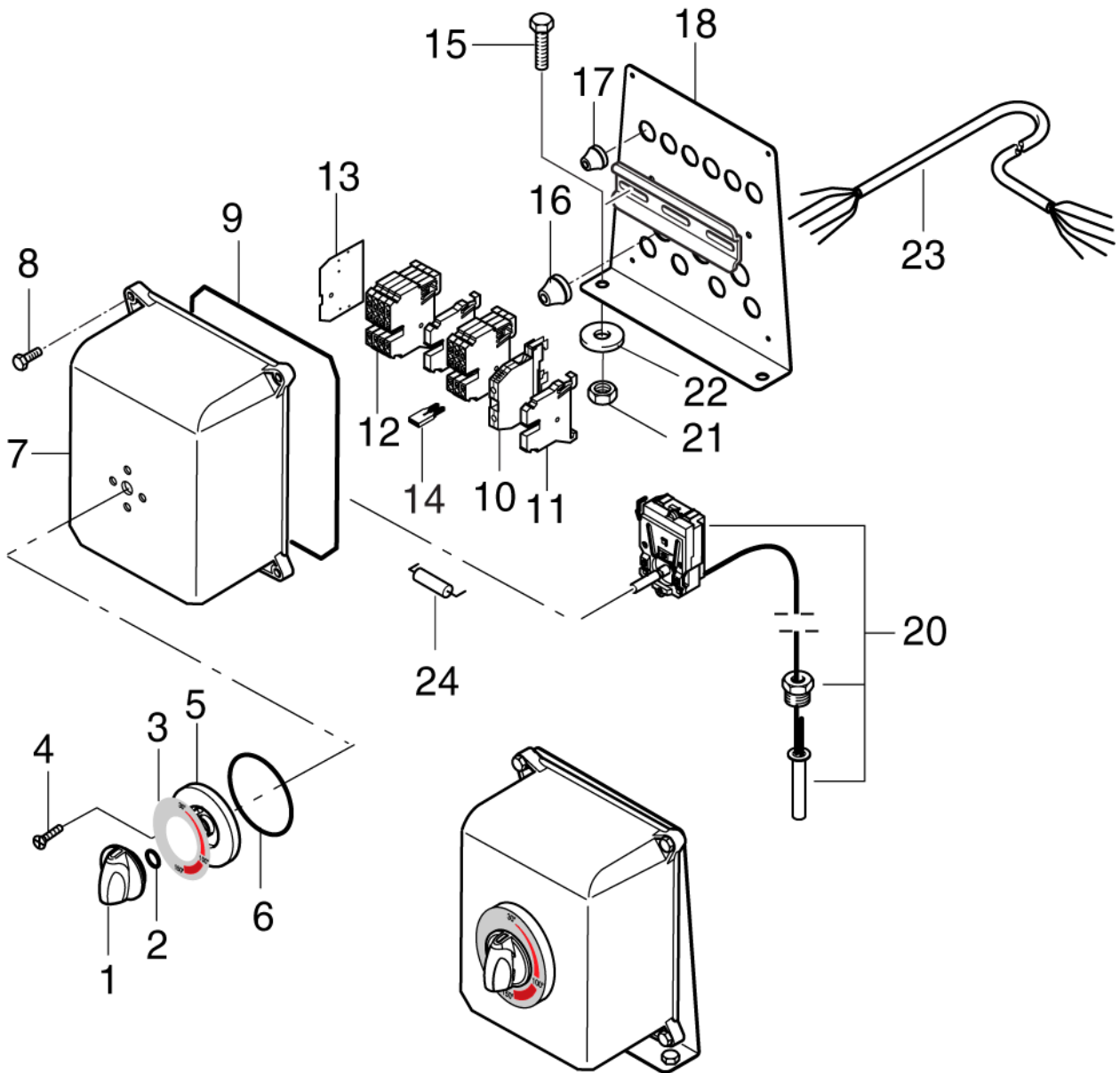
[1] - TSB-PPW-2019-007 C3 NA6 Wobble Disc and Bearing Track surface hardening change



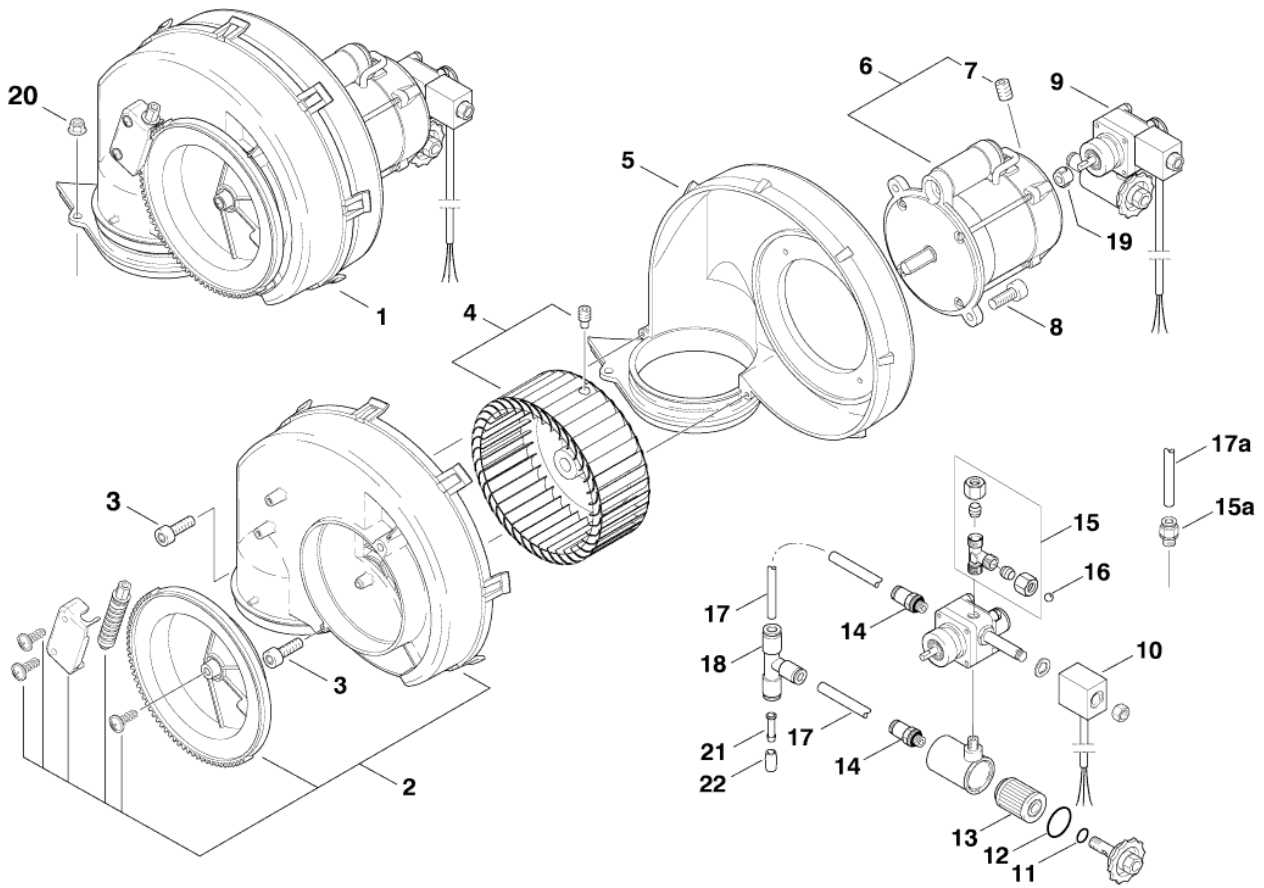
No.	Part No.	Qty.	Description	Part Note
00	107310010	1	MOTOR PUMP UNIT	[1]
01	107310070	1	MOTOR 6.5KW	
02	1802503	1	LOCK RING	
03	6100607	1	FAN	[2]
04	31001316	1	COVER F. FAN	
05	101814693	1	SCREW M4X 8 EE DIN 7500	
07	2758	4	NUT	
08	1801182	4	SPRING WASHER M8	
09	107140617	1	REAR BEARING COVER	[3]
09	6100611	1	REAR BEARING COVER	[4]
10	107302152	1	BUSH G1 AG/G3/4	
11	3200623	1	REAR BEARING	
12	107318244	1	O-RING 51.6X2.4 NBR70	
13	3200672	1	KEY 6X6X32	
14	6100712	1	STAY BOLT L306MM	[5]
15	107140615	1	FRONT BEARING COVER	[6]
15	6101750	1	COVER BEARING	[7]
17	6100995	1	WASHER	
18	6100996	1	GUIDE PIN	
19	107120703	1	BEARING (R/P 6100943/1007	
20	3200656	1	NEEDLE BEARING INA K	
21	3200615	1	AXIAL ROLLER BEARING	
22	107120716	1	WOBBLE DISC	[8]
23	1802511	1	SEGER CIRCLIP	
24	3200664	1	NEEDLE BEARING	
25	3200615	1	AXIAL ROLLER BEARING	
26	107120704	1	BEARING TRACK	[8]
27	6301368	1	STUDS	
29	10028	1	SCREW KA50X14 WN1411	
30	301000782	1	COVER ELEC.BOX 128,2X	
31	17106	1	INSET	
32	20862	1	HEXAGON NUT R1 DIN 431	
33	301000781	1	ELECTRIC BOX	
34	103004340	1	GASKET 1 INCH	
35	101117839	1	TERMINAL PLUG AND	
49	1119310	1	VALVE SYSTEM 02/A2/03	
50	1119571	1	REP.KIT F. GASKETS (RED.)	[9]
51	1119820	1	REP.KIT OILGASKET 03/C3	
52	1119570	1	REP.KIT GASKETS, MPS	[9]

Part Notes:

- [1] - For Truck Booster 7-63
- [2] - EME with 2 holes
- [3] - From week 32 2009 (EME)
ALTERNATIVE USE 107142277
- [4] - Up to week 32 2009 (ATB)
- [5] - STOCK COVERS GUARANTEE
- [6] - From week 32 2009 - TSB-PPW-2011-013 C3 Pump information
- [7] - Up to week 32 2009 (ATB) - TSB-PPW-2011-013 C3 Pump information
- [8] - TSB-PPW-2019-007 C3 NA6 Wobble Disc and Bearing Track surface hardening change
- [9] - TSB-PPW-2016-011 Rep kit 1119571 and 1119570 potential have wrong O-ring in kit
DE TSB-PPW-2016-011 Rep Kit 1119571 und 1119570 beinhalten möglicherweise einen falschen O-Ring



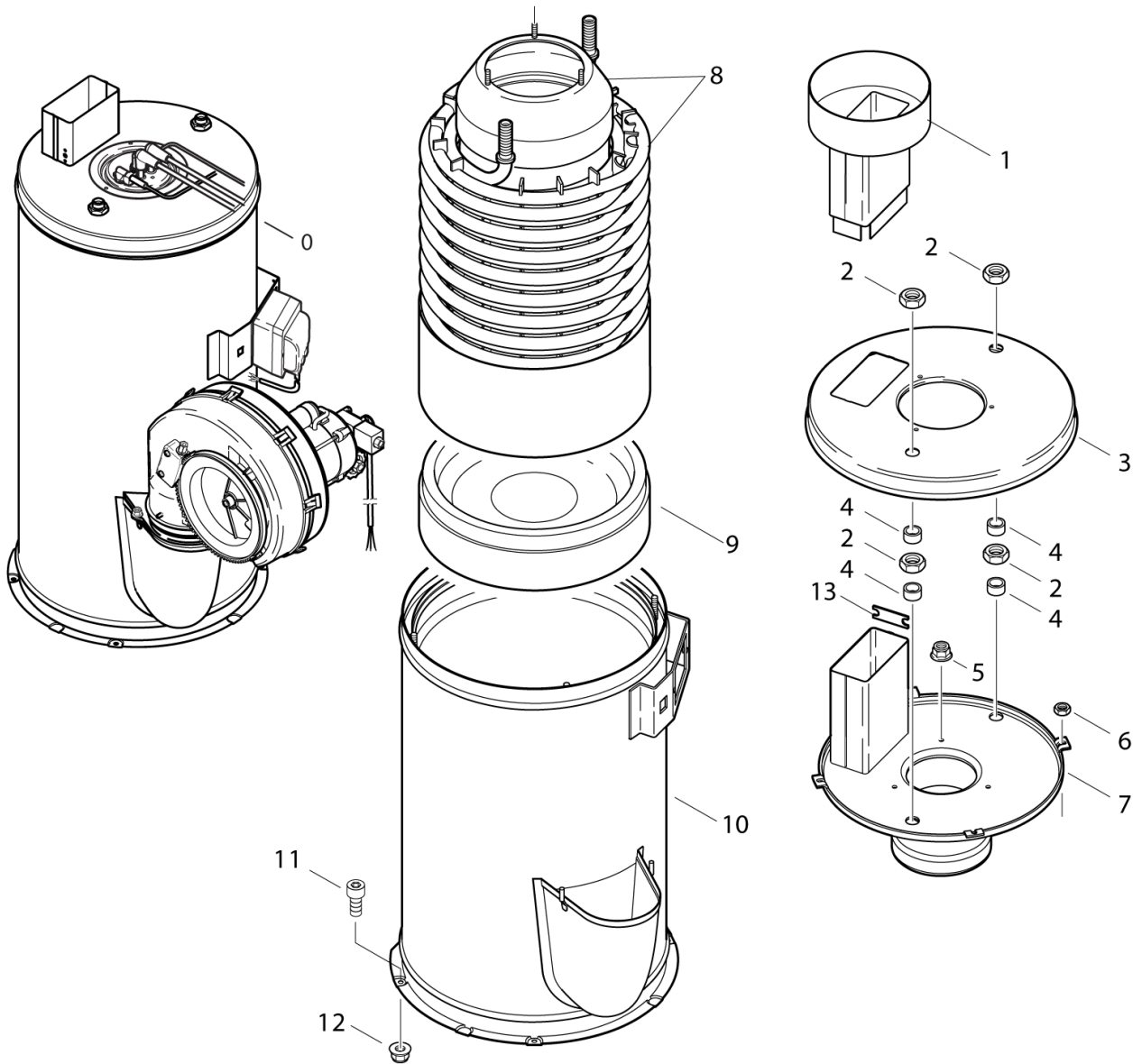
No.	Part No.	Qty.	Description	Part Note
1	909100204	1	ROTARY KNOB 06X5	
2	9868	1	O-RING 10.2X2.5 NBR 70	
3	107319133	1	SCALA FOR THERMOSTAT	
4	1801612	4	COUNTERSUNK SCREW M4X6 ISO 7046 ST/CR	
5	107313045	1	SOCKET COMPL.	
6	3001443	1	O-RING 60X2.62 NBR 70SH	
7	107316091	1	EL-BOX. MACHINED	
8	1804822	4	SCREW TAPTITE M4X16	
9	101406054	1	SPONGE RUBBER Ø 4 1M	
10	4812278	2	WIRE TERMINAL EARTH 4Q	
11	103821922	1	DIN-END STOP WO/SCREW	
12	103821920	13	WIRE TERMINAL	
13	103821921	1	END PLATE	
14	103821923	1	JUMPER 2-POL.	
15	1810209	2	SCREW HEX M10X20 A2 DIN6921	
16	3803772	6	CABLE GROMMET TET 7-10C	
17	3803764	7	RUBBER SEAL TET 5-7C	
18	107313234	1	PLATE FOR EL-BOX. BENDED	
20	6698	1	THERMOSTAT	
21	1802966	2	NUT HEX M10 A2 DIN 934	
22	1801968	2	TOOTHED LOCK WASHER M10 FZB DIN6798	
23	107318069	1	CABLE FOR BURNER 3G2. 5 TR/AU	
24	103822009	1	RESISTANCE 27K	



No.	Part No.	Qty.	Description	Part Note
1	301000908	1	BURNER FAN HOUSING	
1	301001395	1	BURNER FAN HOUSING Kerosine	[1]
2	301000852	1	COVER FOR FAN HOUSING	
3	32535	2	SCREW M5X16	
4	301000889	1	FAN WHEEL 160X60	
5	301000495	1	FAN HOUSE	
6	106408257	1	MOTOR BURNER -	
6	106408258	1	MOTOR BURNER -	[2]
7	30180	1	HEADLESS SCREW M5X10	
8	4697	1	SCREW M6X16	
9	101117988	1	OIL PUMP SP55B 431 KIT	
9	101117989	1	OIL PUMP SP55B 4316M KIT	[3]
10	101117987	1	SOLENOID 24V KIT	
11	9868	1	O-RING 10.2X2.5 NBR 70	
12	40907	1	O-RING Ø 31,47X1,78	
13	1756	1	FUEL FILTER NEPTUNE 5/7	
14	29599	2	UNION PIECE Ø 6 G1/8R1	
15	101118040	1	REP.KIT F. OIL PUMP	[4]
15A	301002070	1	UNION PIECE 4/G1/8	[5]
16	1804640	1	BALL 6 A2 KL3-4034	[4]
17	106408239	2	TUBE D6 X 1 MEWA DIN	
17A	909100141	1	PIPE Dia 4x1	[5]
18	28429	1	T-PIECE D6	[4]
19	1226	1	COUPLING	
20	12496	1	NUT	
21	17519	1	HOSE LINER	[4]

Part Notes:

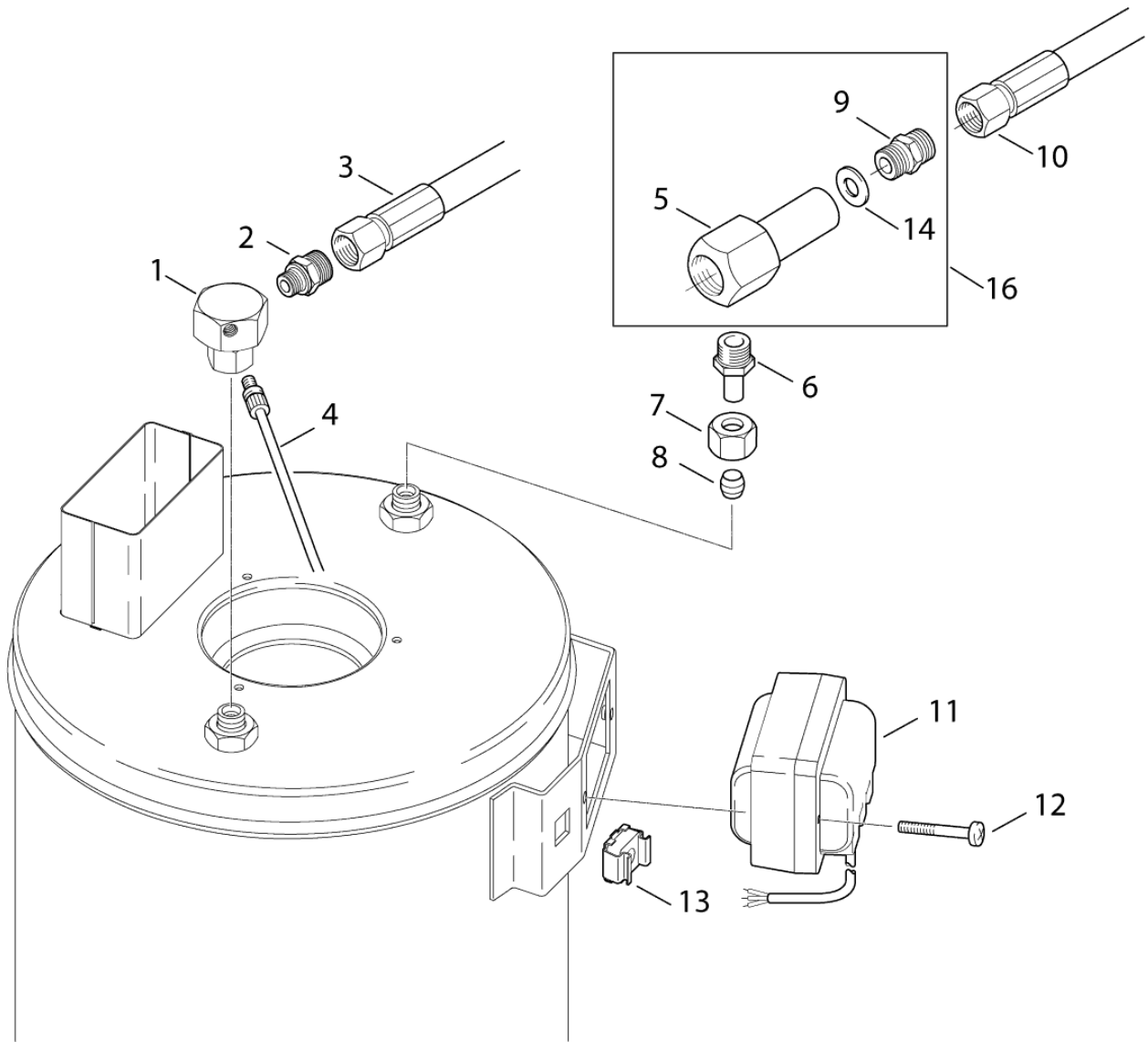
- [1] - 3x200V 50Hz, JP
 [2] - 3x200V 50Hz, *JP*
 [3] - 5-30D, 7-63D *JP*
 Kerosene
 [4] - up to 27. april 2006
 [5] - from 26. april 2006



No.	Part No.	Qty.	Description	Part Note
00	107318177	1	BOILER COMPLETE NEPTUNE 7 KIT	[1]
1	301001089	1	EXHAUST PIPE Å~148X197 1.	[2]
2	7012	4	HEXAGON NUT M18X1.5	
3	301000534	1	BOILER COVER OUTER	
4	301000582	4	BUSHING Ø22X1.5X24	
5	12496	3	NUT	
6	12263	4	HEXAGON NUT M6	
7	301001843	1	BOILER COVER INNER SOLAR	[3]
7	301001840	1	BOILER COVER INNER SOLAR	[4]
8	301001099	1	COIL NEPTUNE 7	[3]
8	107143301	1	COIL B5 SS, MH	[4]
8	301001098	1	COIL NEPTUNE 5	[4]
8	301001342	1	COIL NEPTUNE 7 SS	[3]
9	301000916	1	INSULATION	[5]
10	301000968	1	BOILER JACKET COMPL. NE	[6]
10	301000969	1	BOILER JACKET COMPL. NE	[3]
11	3913	4	SCREW M6X12	
12	12496	4	NUT	
13	107318172	1	PLATE FOR EXHAUST	

Part Notes:

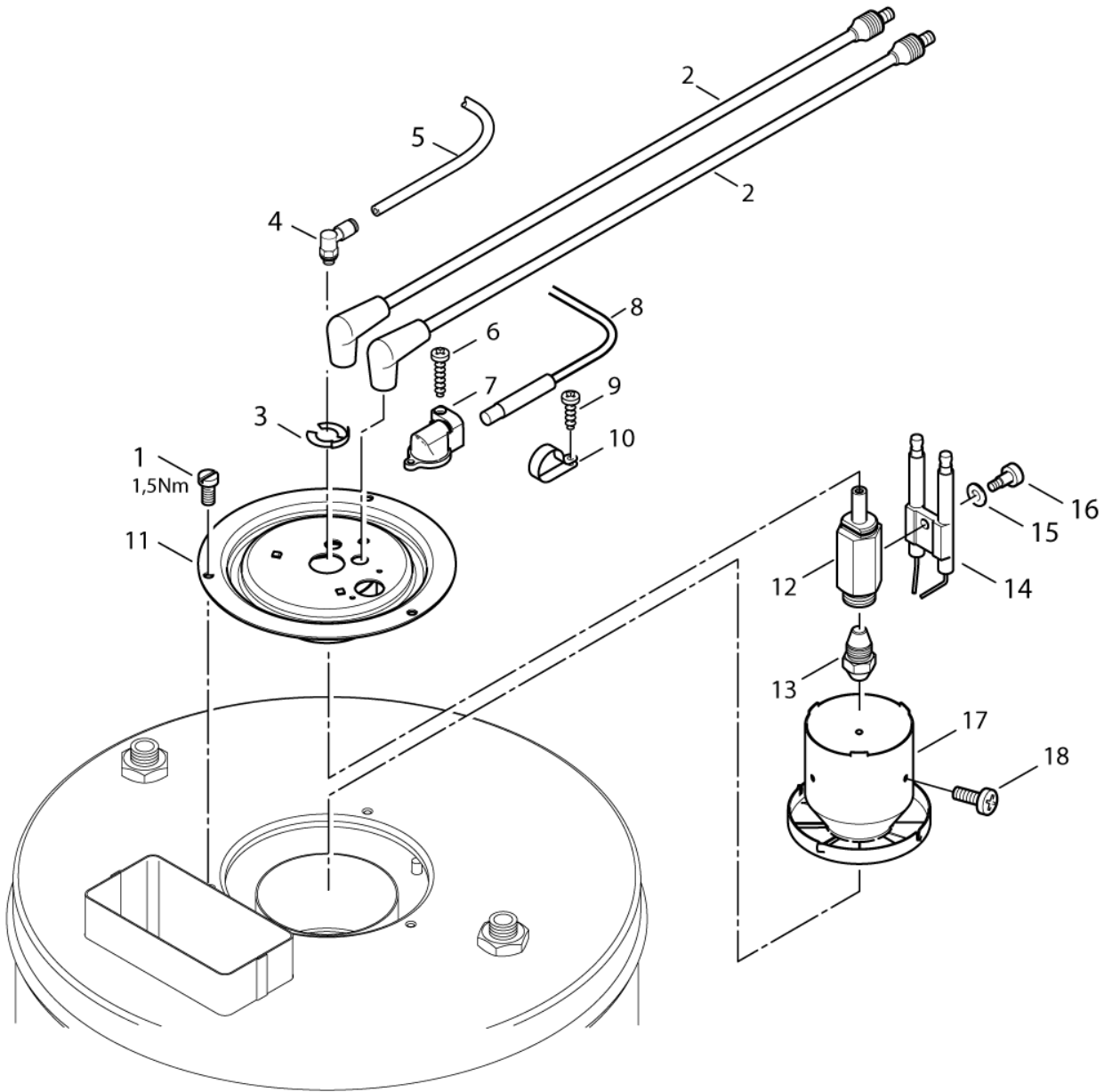
- [1] - 7-63D 400/3/50
- [2] - ACCESSORY
- [3] - 7
- [4] - 5
- [5] - TSB-HPW-2021-002 Chamotte stones in insulation removed
- [6] - 5 + 7-25



No.	Part No.	Qty.	Description	Part Note
1	107140927	1	DISTRIBUTOR	
2	3938	1	UNION PIECE SDS L12 G1/4	
3	101406030	1	HIGH PRESSURE HOSE,	
4	301000732	1	THERMO SENSOR	
5	107312042	1	HOUSING FOR THERMOSTAT	
6	6200558	1	SCREWED CONNECTION, COMP.	
7	1081	2	UNION NUT HOSE REEL	
8	1080	2	UNION FOR 1801	
9	1601079	1	SCREWED CONNECTION	
10	101405741	1	HIGH PRESSURE HOSE 15'	
11	301000879	1	IGNITION TRANSFORMER	
12	1809821	2	SCREW M5X50 DIN 7985	
13	909100152	2	NUT M8	
14	1801075	1	PACKING RING	
16		1	Pos. 5, 9, 14, 15 - use all parts on machines up to 2007.05	[1]

Part Notes:

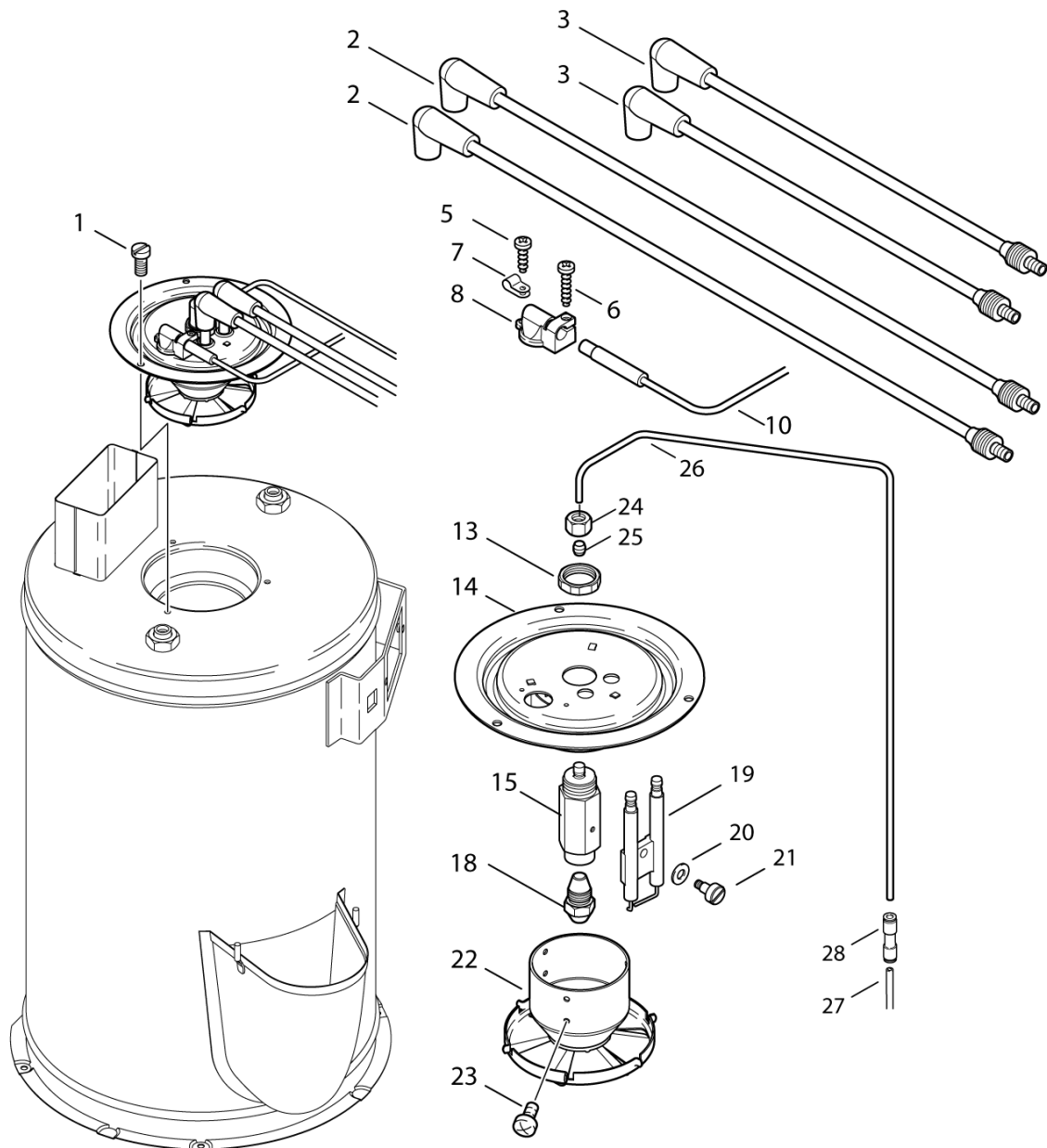
[1] - Pos. 5, 9, 14, 15 - use all parts on machines up to 2007.05



No.	Part No.	Qty.	Description	Part Note
1	4820	3	SCREW M5X10	
2	301000858	1	IGNITION CORD 7 X 500	[1]
2	301000859	1	IGNITION CORD - Ø7X650	[2]
3	101117876	1	CIRCLIPS	
4	101117913	1	ELBOW 4/M5 PUSH-IN	
5	909100141	1	PIPE Dia 4x1	
6	5606	1	SCREW 2,9X19	
7	301000934	1	HOLDER NEPTUNE SENSOR	
8	301000729	1	FLAME SENSOR	
9	4036	2	SHEET METAL SCREW 2.9X9	
10	301001069	1	HOLDER Å 4.8	
11	301000606	1	COVER Å~150X38	
12	101117915	1	OIL NOZZLE HOLDER	
13	301001068	1	FUEL NOZZLE 1.35GAL/H 60'	[2]
13	101118013	1	FUEL NOZZLE 2.25 GAL/H 60	[1]
14	301150009	1	IGNITION ELECTRODE KIT	
15	909100144	1	SPRING WASHER B5	
16	909100143	1	PAN HEAD SCREW M4X 4.5	
17	301001834	1	AIR DISTRIBUTOR Å~94X59.2	[2]
17	301001833	1	AIR DISTRIBUTOR D90X59.2	[1]
18	51848	3	OVEL HEAD SCREW	

Part Notes:

- [1] - 7
 [2] - 5



No.	Part No.	Qty.	Description	Part Note
1	4820	3	SCREW M5X10	
2	301000858	2	IGNITION CORD 7 X 500	[1]
3	301000859	2	IGNITION CORD - Ø7X650	[2]
5	4036	1	SHEET METAL SCREW 2.9X9	
6	5606	1	SCREW 2,9X19	
7	301001069	1	HOLDER Å 4.8	
8	301000934	1	HOLDER NEPTUNE SENSOR	
10	301000729	1	FLAME SENSOR	
13	909100139	1	HEXAGON NUT M20X1 24X6	[3]
14	301000606	1	COVER Å150X38	
15	301001548	1	FUEL NOZZLE HOLDER SW22X	[3]
18	301001068	1	FUEL NOZZLE 1.35GAL/H 60'	[4]
18	301000886	1	FUEL NOZZLE 1.75GAL/H 60'	[5]
19	301150009	1	IGNITION ELECTRODE KIT	
20	909100144	1	SPRING WASHER B5	
21	909100143	1	PAN HEAD SCREW M4X 4.5	
22	301001834	1	AIR DISTRIBUTOR Å94X59.2	[6]
22	301001833	1	AIR DISTRIBUTOR D90X59.2	[7]
23	51848	3	OVEL HEAD SCREW	
24	1603430	1	UNION NUT	
25	1603448	1	CUTTING RING L4	
26	301002072	1	PIPE BENDED D4X582	
27	909100141	1	PIPE Dia 4x1	
28	301001912	1	UNION PIECE 4/4	

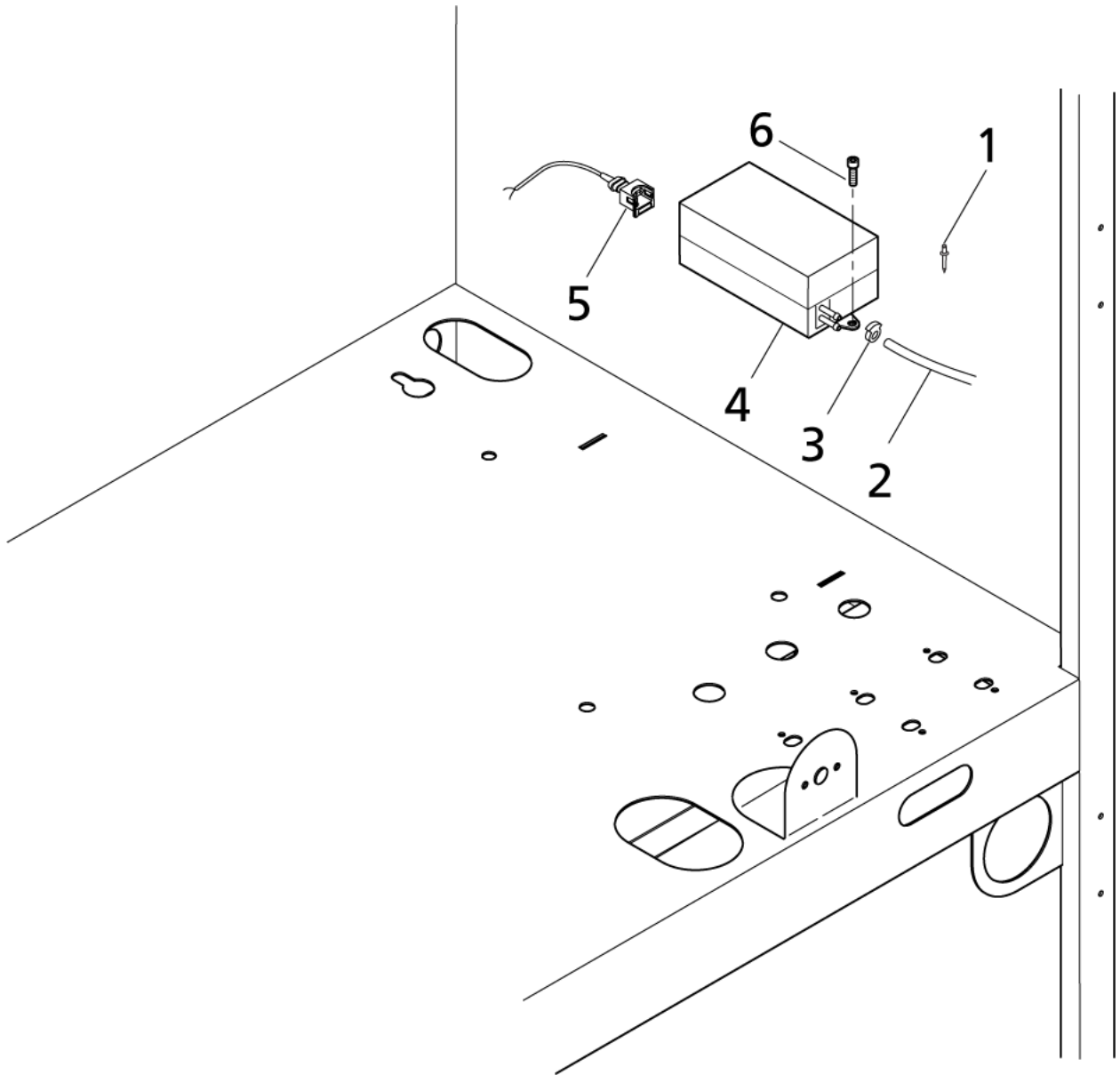
Part Notes:

- [1] - N5
- [2] - N7
- [3] - STOCK COVERS GUARANTEE
- [4] - 5, 1~
- [5] - 5, 3~
- [6] - 5
- [7] - 7

No.	Part No.	Qty.	Description	Part Note
00	106403122	1	ERGO 2000 STANDARD W.	[1]
00	6101766	1	HOSE, COMP. 10M. BLACK, 3	[2]
01	106403010	1	TORNADO PLUS 1120 BEND	[3]
01	101119496	1	NIPPLE	
01	101119747	1	NOZZLE 0680	[4]
01	101119743	1	NOZZLE + INDICATION RING	[5]
01	101119748	1	TORNADO NOZZLE 0700 1/8N	[6]
01	106402190	1	GUN	[7]
	107370973	1	REMOTE CONTROL 4 BUTTONS	

Part Notes:

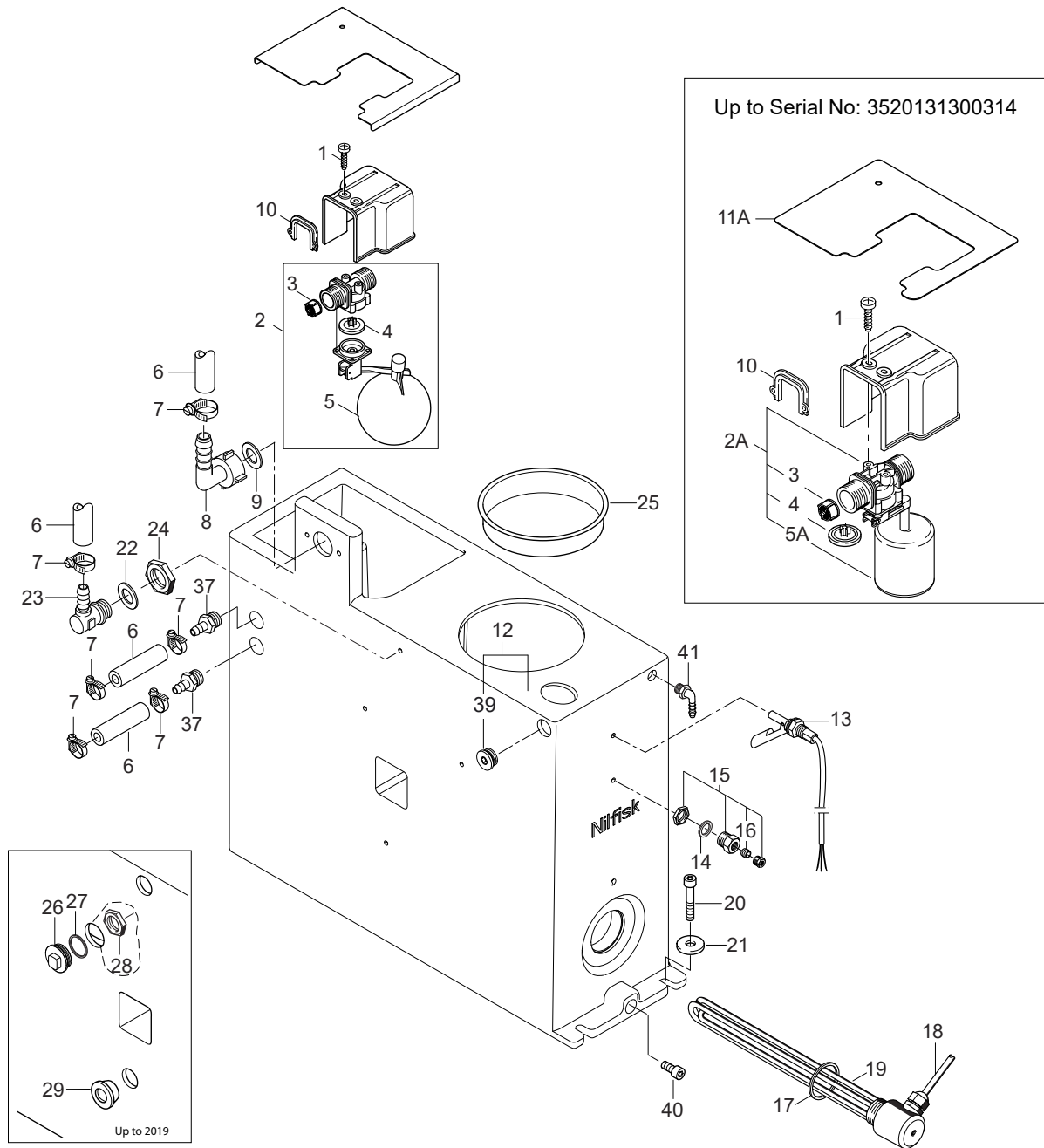
- [1] - ERGO 2000 Spray handle
- [2] - HOSES Overview
- [3] - TORNADO PLUS lance
- [4] - 7-63D
- [5] - 5-49D
- [6] - 5-30D
- [7] - ERGO 3000 Spray handle with swivel lock - from 15.09.03



No.	Part No.	Qty.	Description	Part Note
0-	107370974	1	ANTI CALK KIT FOR T.B	
1	101814688	2	POP-NUT M4	
2	5226147	1	HOSE PVC 4/7.2	
3	1814151	1	HOSE CLIP	
4	3821492	1	KS-PUMP ST 15 24V	
5	4812338	1	WIRE FOR FLOW SWITCH 1200MM	
4+5	107309185	1	SOFTENER PUMP	[1]
6	1800606	2	SCREW M4X10 CH POZ FZB	

Part Notes:

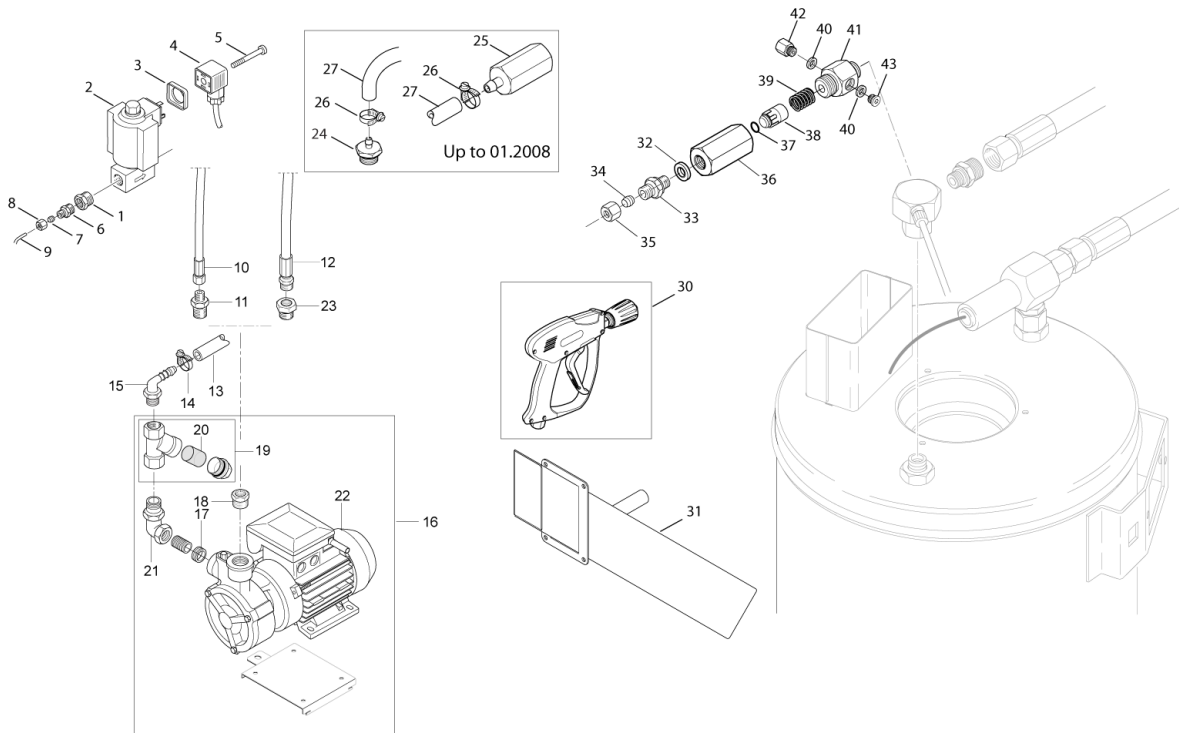
[1] - Will replace 3821492+ 4812338



No.	Part No.	Qty.	Description	Part Note
0-	107370971	1	OPTION CLOSED CIRCUIT FROST PROTECTION K	
1	16860	2	SCREW 4X12	
2	107318167	1	FLOAT VALVE DN10 FLOAT BALL KIT	[1]
2A	63349	1	FLOAT VALVE	
3	34225	1	FILTER NEPTUNE 5/7	
4	62878	1	MEMBRANE	
5	11418	1	FLOAT BALL	
5A	62877	1	SWIMMER 55X60	
6	106408242	1	HOSE 5/8INCH - 2 METERS	
7	1810191	6	HOSE CLIP 13-27 A4 SS	
8	107142766	2	HOSE NOZZLE	
9	15587	1	PACKING RING 14X24X2	
10	11243	1	BRACKET FOR FLOAT VALVE	
11	107315057	1	COVER FOR WATERTANK PLASTIC AUTO B	[2]
11A	107318168	1	COVER FOR WATER TANK KIT	[1]
12	107318166	1	WATER TANK AUTO BOOSTER KIT	[1]
13	3817582	1	LEVEL SENSOR LS103-12	
14	1801075	1	PACKING RING	
15	107318000	1	THREADED CONNECTION	
16	101609437	1	SLEEVE FOR PIPE 8MM 60F	
17	3717	1	O-RING 42X3 NBR 90SH	
18	107318073	1	CABLE FOR HEATING ELEMENT E12	
19	107317070	1	HEATING ELEMENT 6KW 400/230V	
20	1812247	2	SCREW M8X30 A2 HFC1888	
21	1813567	2	WASHER D25/D8.4X2 A2 DIN9021	
22	107307369	5	GASKET 21X30X2	
23	3448	1	HOSE LINER W DN13 GÄ,Ä; KU	
24	101609356	1	NUT 1/2IN	
25	104601176	1	CONIC DBI-DUT NO. 127C RED	
26	3004350	2	PLUG 3/8 RG	
27	52490	1	PACKING RING 17X 24X 2 IT	[3]
28		1	NUT 6KT- G3/8 FLANGE MS	
29	107307364	1	PLUG D36X18 WATERTANK	
37	101609359	3	HOSE TAIL 1/2 INCH.X16MM	
39	G181419	1	PLUG	
40	1810019	1	SCREW M10X16 SS	[3]
41	107318135	1	HOSE TAIL ELBOW 12X1/4	[1]

Part Notes:

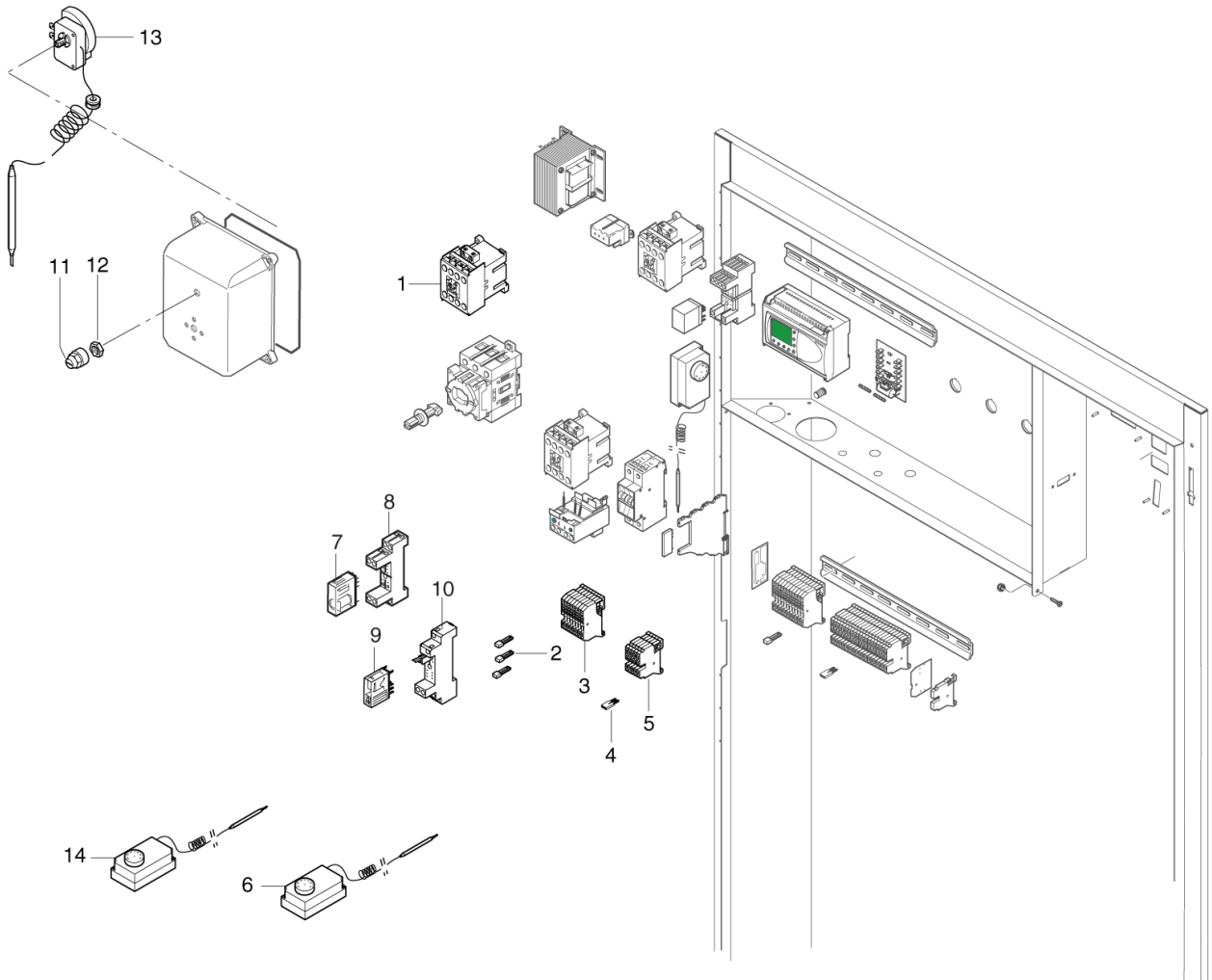
- [1] - from serial no. 2010967543
 [2] - NO LONGER AVAILABLE
 [3] - STOCK COVERS GUARANTEE



No.	Part No.	Qty.	Description	Part Note
1	1601046	1	NIPPLE 1/4X1/8	
2	103822026	1	SOLENOID VALVE 230V 50HZ	
3	17767	1	GASKET SOLENOID VALVE	
4	34865	1	SOCKET 2 M	[1]
5	17768	1	SCREW M3X25	
6	1603422	2	SCREWED CONNECTION	
7	1603448	2	CUTTING RING L4	
8	1603430	2	UNION NUT	
9	106408006	1	BRASS PIPE 1000MM	
10	101405741	1	HIGH PRESSURE HOSE 15'	[2]
11	107143122	1	THREADED CONNECTION D12X1/2 INCH	
12	101406064	1	STEEL ARM. HOSE DN6 L2000	
13	106408242	1	HOSE 5/8INCH - 2 METERS	
14	1810191	1	HOSE CLIP 13-27 A4 SS	
15	101609353	1	HOSE TAIL ELBOW D16X3/4 INCH PLASTIC	
16	107318144	1	REPLACEMENT KIT CENTRIFUG.PUMP	
17	107318141	1	REDUCTION 1X3/4	
18	107318142	1	COUPLER 1X1/2	
19	107318140	1	FILTER 3/4 CONNECTION	
20	31000342	1	FILTER 3/4 INCH	
21	101609387	1	UNION ELBOW 3/4 W. O-RING	
22	103822410	1	PUMP KFM2 230/1/50	
23	107312002	1	CONNECTING FOR MAGNET VALVE	
24	107120313	1	SOCKET FOR OILHOSE	
25	107312022	1	HOUSING FOR NON-RETURN VALVE	[1]
26	1807593	3	CLIP 7-13 MM RUSTPROOF	
27	4973	1	HOSE Ø6X3	
27	101406100	1	HOSE DN 6X3 5M	
30	106402243	1	WINTER GUN 12 BAR	
31	107313268	1	LANCE GRIP. WELDED	
32	101814735	1	SEALING WASHER 1/8PP45C	
33	1821	1	FITTING XGE 6LR1/8	
34	1600550	1	CUTTING RING AL 6 DIN 3861	
35	1600543	1	UNION NUT DIN 3870 A L 6	
36	107312006	1	HOUSING FOR NON-RETURN VALVE	
37	56519	1	O-RING Ø6,5X3	
38	301000905	1	PISTON Ø14,6X25,5	
39	18067	1	COMPRESSION SPRING	
40	1605	2	PACKING RING 10X14	
41	107312021	1	Connecting for Non return valve	
43	4443	2	PLUG	

Part Notes:

- [1] - STOCK COVERS GUARANTEE
 [2] - Only AUTO BOOSTER



No.	Part No.	Qty.	Description	Part Note
1	103822306	2	CONTACTOR CJX2-D18-B7 24V	
2	103821969	3	JUMPER	
3	103821967	8	WIRE TERMINAL WAGO281	
4	103821923	1	JUMPER 2-POL.	
5	103821920	5	WIRE TERMINAL	
6	103822056	1	THERMOSTAT -3 5 - +35DGC	
7	41570	1	RELAY 2-POL. 24V DC 5A	
8	41573	1	SOCKET F. RELAY	
9	103821913	1	MINI RELAY 1POL. 24VAC	
10	103821914	1	BASE FOR MINI RELAY 1POL	
11	34970	1	CAP	
12	47313	1	NUT M10X1X3	
13	101118278	1	SAFETY THERMOSTAT 97 DEG 6K KIT	
14	103822056	1	THERMOSTAT -3 5 - +35DGC	

Resource notes:

A-Parts. Wearing parts. Number of machines x1,2 B-Parts. Wearing parts. Number of machines x0,6 C-Parts:
Wearing parts. Number of machines x0,4 Not marked spare parts are "just in case parts"

Recommended spare parts

TRUCK BOOSTER 7-63 / SH TRUCK 175/1260

2017.11.02

2013.04.02

No.	Part No.	Qty.	Description	Part Note
0A	1756	1	FUEL FILTER NEPTUNE 5/7	[1]
0A	64314	1	REPAIR KIT PISTON BYPASS	[1]
0A	101117988	1	OIL PUMP SP55B 431 KIT	[1]
0A	301001068	1	FUEL NOZZLE 1.35GAL/H 60'	[1]
0A	1119310	1	VALVE SYSTEM 02/A2/03	[1]
0A	101118013	1	FUEL NOZZLE 2.25 GAL/H 60	[1]
0A	6100941	1	FILTER L 7CM	[1]
0A	301000902	1	DISCHARGER VALVE NEPTUNE	[1]
0A	301001148	1	KIT PISTON SEALING 18MM	[1]
0A	1119571	1	REP.KIT F. GASKETS (RED.)	[1]
0A	1119570	1	REP.KIT GASKETS, MPS	[1]
0A	301001151	1	SUPPORT RING 18	[1]
0A	101117926	1	FILTER	[1]
0A	301001195	1	REPAIR KIT UNLOADER VALVE	[1]
0A	301001153	1	VALVE KIT 6 FOR PUMP	[1]
0A	3812385	1	FUSE 5X20	[1]
0A	301000886	1	FUEL NOZZLE 1.75GAL/H 60'	[1]
0A	101117989	1	OIL PUMP SP55B 4316M KIT	[2]
0A	301150009	1	IGNITION ELECTRODE KIT	[1]
0A	101119850	1	KIT THRUSTRING +BACK UP	[1]
0A	63056	1	REPAIR KIT UNLOADER VALVE	[1]
0A	1119820	1	REP.KIT OILGASKET 03/C3	[1]
0A	301001150	1	OIL SEALING KIT	[1]
0A	301001068	1	FUEL NOZZLE 1.35GAL/H 60'	[1]
0B	103822265	1	HOSE FOR CHEMISTRY PUMP	[3]
0B	103403267	1	FLOAT VALVE, COMPL.	[3]
0C	107120704	1	BEARING TRACK	[4]
0C	101406030	1	HIGH PRESSURE HOSE,	[5]
0C	64440	1	DIODE 6A80 6A 800V	[5]
0C	6301166	1	CERAMIC PISTON C3	[5]
0C	101405741	1	HIGH PRESSURE HOSE 15'	[5]
0C	6698	1	THERMOSTAT	[5]
0C	301000859	1	IGNITION CORD - Ø7X650	[5]
0C	3200664	1	NEEDLE BEARING	[5]
0C	6367	1	ROLLER BEARING 6206-2Z-C3	[5]
0C	103822011	1	SAFETY DEVICE AEG C10 1P-N	[5]
0C	103822012	1	SAFETY DEVICE C 10A 2P 10KA 230/400V AC	[6]
0C	1802511	1	SEGER CIRCLIP	[5]
0C	301001146	1	CERAMIC PISTON KIT 18 DIA	[5]
0C	101118020	1	MOTOR 5.5KW 230/400 3PH	[5]
0C	3200615	1	AXIAL ROLLER BEARING	[5]
0C	301000402	1	RESISTOR 15K NEPTUNE 5/7	[5]
0C	103822306	1	CONTACTOR CJX2-D18-B7 24V	[5]
0C	103821828	1	RELAY SNR 24V	[5]
0C	107140615	1	FRONT BEARING COVER	[5]
0C	301001017	1	CAPACITOR 60PF/450V	[5]
0C	6101750	1	COVER BEARING	[5]
0C	103822020	1	RELAY 2 POL 12A 24V AC	[5]
0C	5905	1	ROLLER BEARING 6306-2Z	[5]
0C	301000731	1	END SWITCH 250V	[5]
0C	3600301	1	USE PART NO : 3601262	[5]
0C	103822062	1	CONTROL TRANSFORMER 3X200V 50H	[5]
0C	301000858	1	IGNITION CORD 7 X 500	[5]
0C	103822327	1	THERMAL RELAY 12-18AMP	[5]
0C	6100602	1	CLIP	[5]
0C	103821847	1	CONTROL TRANSFORMER 230V	[5]
0C	106420051	1	CIRCUIT BOARD UNO/DUO BOO	[5]
0C	107310070	1	MOTOR 6.5KW	[5]

No.	Part No.	Qty.	Description	Part Note
0C	301000729	1	FLAME SENSOR	[5]
0C	11060	1	START RELAY NEPTUNE 5/7	[5]
0C	101118018	1	MOTOR ELD112 2.2KW 230V	[5]
0C	301000403	1	START CAPACITOR 98UF	[5]
0C	3200656	1	NEEDLE BEARING INA K	[5]
0C	107120716	1	WOBBLE DISC	[4]
0C	103822206	1	CHEMICAL PUMP. MAX. 13L/	[5]
0C	301000911	1	SAFETY VALVE COMPLETE 250	[5]
0C	101117987	1	SOLENOID 24V KIT	[5]
0C	301000732	1	THERMO SENSOR	[5]
0C	103822328	1	THERMAL RELAY 17-25AMP	[5]
0C	301002458	1	REED SWITCH	[5]
0C	103822307	1	CONTACTOR CJX2-D18 18A 24V 3P+NC	[5]

Part Notes:

- [1] - A
- [2] - A
Kerosene
- [3] - B
- [4] - C
TSB-PPW-2019-007 C3 NA6 Wobble Disc and Bearing Track surface hardening change
- [5] - C
- [6] - C
NO LONGER AVAILABLE

