

i-vac 9B[®]

Battery powered freedom

User manual



i-team Professional b.v.

Hoppenkuil 27b, 5626 DD Eindhoven, The Netherlands

Telephone: +31402662400

Email: hello@i-teamglobal.com

Internet: www.i-teamglobal.com





Original user manual, written in the English Language

Future Cleaning Technologies B.V.

Hoppenkuil 27b, 5626 DD Eindhoven, The Netherlands

Telephone: +31402662400

Email: hello@i-teamglobal.com

Internet: www.i-teamglobal.com

Model: C9B

Date: 11/05/2020

Product code: C9B.I-V.0000B

Version: v.1.0



Preface

Thank you for purchasing the i-vac 9B®. The high powered motor reaches about 80% (indication) of the suction power of that from cable operated vacuums, without the strain of being tied down to one place. Also the i-vac 9B has a two-slot battery system for a flexible runtime up to 80 minutes, depending on the type i-power® batteries you use. The i-charge® 9 battery charger guarantees a short charging time. If you need more suction power you can connect the i-brush® to the i-vac 9B.

The i-vac 9B is easy to use when you follow the instructions. Please read the user manual carefully. Become familiar with the correct operation and maintenance procedures. Store the manual in a safe place. The manual is an essential part of the i-vac 9B and must be handed over to the new owner upon resale or exchange. Each i-vac 9B has a unique identification number that can be found at the bottom of the can. Your i-team partner needs this number when you order parts.

When this manual refers to “the manufacturer” this means: Future Cleaning Technologies B.V., an affiliate company of i-team in Eindhoven, the Netherlands. When this manual mentions “the partner” your local i-team resell and support service partner is referred to.

Purpose of the user manual

The purpose of the user manual is to provide the user with information during the life of the i-vac 9B in such a way that the i-vac 9B is used correctly, efficiently and safely, even in the event of reasonably foreseeable misuse.

The user manual contains instructions regarding:

- personal operator safety;
- intended and non-intended use of the i-vac 9B;
- instructions for daily use;
- maintenance instructions;
- storage conditions;
- disposal of the i-vac 9B.

These instructions must be considered to avoid risks that could lead to physical and / or material damage.

Target audience

This user manual is intended for end users, operators of the i-vac 9B and their supervisors, as well as partners and importers.

Operators of the i-vac 9B





The i-vac 9B may only be operated by a person who:

- has correctly read and understood the instructions in this manual;
- is trained by an experienced operator who has read and understood the instructions in this manual.



Reading guide

The following symbols and terms are used throughout this manual to alert the reader to safety issues and important information:

Symbol	Term	Explanation
	WARNING	Indicates a hazardous situation which, if the safety instructions are not followed, can lead to injuries of the operator or bystanders, light and/or moderate damage to the product or the environment.
	CAUTION	Indicates a hazardous situation which, if the safety instructions are not followed, can lead to light and / or moderate damage to the product or the environment.
	BATTERIES	Indicates a battery-operated machine, batteries must be charged according to the instructions in the separate i-charge® 9 user manual. Batteries must be disposed of according to your local laws and regulations.
	ATTENTION	Indicates a liability situation, where the manufacturer or its partners and affiliates cannot be held accountable for damages caused by non-compliance.



Content

Preface	3
Purpose of the user manual	3
Target audience	3
Operators of the i-vac 9B	3
Reading guide.....	4
1 Introduction.....	7
1.1 Intended use of the product.....	7
1.2 Non-intended use of the product.....	8
1.3 Lifespan.....	9
1.4 Modifications.....	9
1.5 Specifications.....	10
1.6 Warranty.....	11
1.7 Identification	11
2 Description	12
2.1 Explanation LED indicators	13
3 Safety.....	14
3.1 Batteries	14
3.2 Risks during operation	14
4 Transport and storage	15
5 Assembly and installation.....	16
5.1 Unboxing.....	16
5.2 Assembly.....	17
5.3 Replacing the dust bag	18
6 Operation	21
6.1 Before you start	21
6.1.1 Height adjustment.....	21
6.1.2 Insert and check the batteries.....	22
6.2 Normal operation	23
6.2.1 After normal operation	23
6.2.2 Remove the batteries.....	24
6.3 Operation with i-brush®	25
6.3.1 After operation with i-brush	25
6.3.2 Remove the batteries.....	26
7 Maintenance	27
7.1 Cleaning	27



7.1.1	Clean the machine.....	27
7.1.2	Clean the hose and wand.....	27
7.2	Replacing the filters.....	28
7.2.1	Replacing the cassette filter.....	28
7.2.2	Replacing the motor filter.....	29
7.3	Brush and tool condition.....	30
7.4	Damaged or worn parts.....	30
7.5	Maintenance frequency.....	31
7.6	Storage.....	31
8	Trouble shooting.....	32
9	Decommissioning and disposal.....	33
10	Attachments.....	34
10.1	CE Certificate.....	34



1 Introduction

The i-vac 9B® is an easy and safe machine to use. This manual helps you get started and explains the operation and maintenance procedure.

The i-vac 9B is battery-operated. The batteries used in the i-vac 9B are the same as in a variety of other battery powered i-team products. The batteries must be fully charged before use. Please refer to the user manual of the i-charge® for the correct procedure.

This manual is intended for those who work with the i-vac 9B and perform daily maintenance. The manual must be read in full before the first actions. This manual describes the correct method of use, safety measures, maintenance and transport.

i-team continuously improves all their products based on user experience and feedback. Any deviations between the texts and / or images from the manual and your i-vac 9B can therefore arise from the difference in model or from possible changes due to continuous development and innovation.

1.1 Intended use of the product



Figure 1

The i-vac 9B is intended for indoor use and for the collection of **dry** materials only.

The i-vac 9B is suitable for commercial use. For example: in hotels, schools, hospitals, factories, shops, cleaning companies, holiday parks and offices.



Make sure that the i-vac 9B® is maintained as described in section 7 Maintenance. Not following the recommended maintenance may lead to hazardous situations and i-team Professional may NOT give warranty.

Check the filters, dust bag and hose regularly for pollution or damage. Replace damaged parts. For more information on how to order i-vac 9B parts, please see section 7.4.

ONLY USE original i-team Professional parts. i-team Professional does **NOT** give warranty in case non original parts are used.

The i-vac 9B may only be operated by a person who:

- has correctly read and understood the instructions in this manual;
- is trained by an experienced operator who has read and understood the instructions in this manual.

Keep the i-vac 9B and the accessories clean.

In order to use the i-vac 9B on different types of surfaces, extra tools are provided. These tools are easy to replace. Select the right tool for each job, see Figure 2.

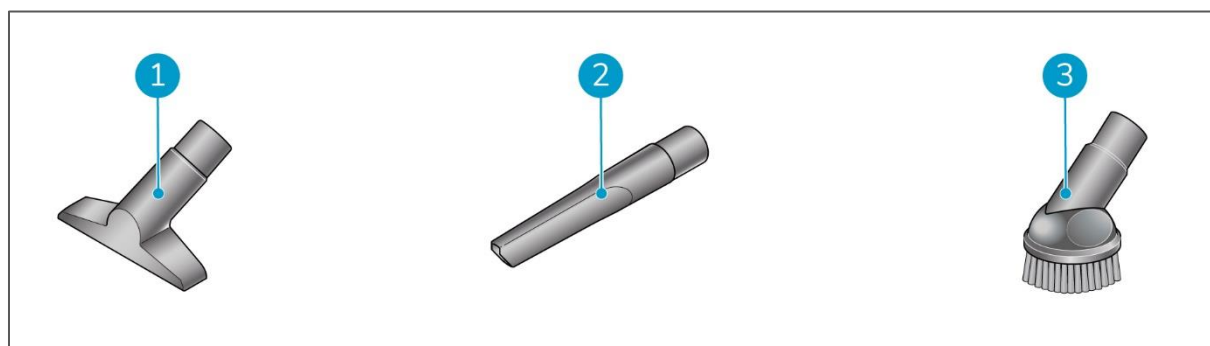


Figure 2

Legend

1. Upholstery tool.
2. Crevice tool.
3. Round brush tool.

1.2 Non-intended use of the product



WARNING

Non-intended use can have consequences for the safety of operators and bystanders and will void the warranty on the product.

The i-vac 9B is not intended to clean anything else than dry materials.



The i-vac 9B® is not suitable for the collection of:

- wet materials or water;
- hot ashes or lighted cigarette ends;
- hazardous or explosive substances;
- biological hazards;
- particulate matter;
- big pieces of glass, plastic or wood.

1.3 Lifespan

For a proper functioning and a long lifespan of the i-vac 9B, it is important to follow the recommended maintenance frequency mentioned in this manual, see section 7.5.

1.4 Modifications

It is not permitted to make modifications to the design of the i-vac 9B without consultation and permission from the manufacturer. This affects the warranty, see section 1.6.



1.5 Specifications

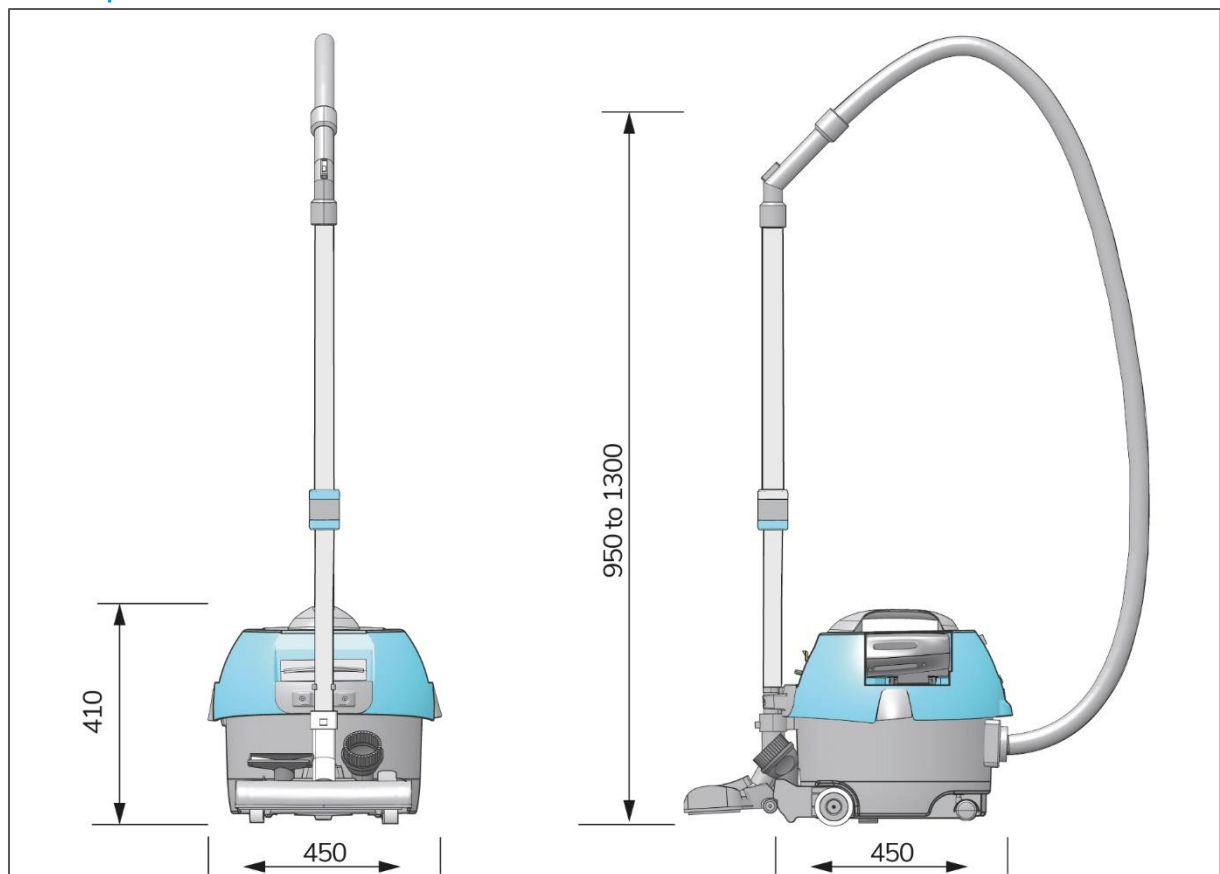


Figure 3

Body size:	450 x 450 x 410 mm
Carrying weight:	7 kg
Hose length:	250 cm
Capacity:	9 L
Noise level:	58 dB(A)
Diameter of tools:	32 mm
Water lift / suction:	1300 mm
Air flow:	24,7 L / sec
Application:	Indoor, dry
Battery slot capacity:	2 batteries
Power source:	i-power 9 or 14 batteries
Battery spec i-power 9 / i-power 14:	25.2 V 8.8 Ah / 25.2 V 14 Ah
Run time i-power 9: 1 battery / 2 batteries:	30 minutes / 60 minutes
Run time i-power 14: 1 battery / 2 batteries:	40 minutes / 80 minutes
Charger type:	Off-board
Charger:	110-240 V, 50 / 60 Hz
Material machine:	PP



1.6 Warranty

The i-vac 9B® should only be operated with the materials supplied. Using alternative supplies may cause damage to the i-vac 9B and may cause a risk to the operator. The use of alternative supplies or not following the instructions in this manual voids the manufacturer's warranty. The warranty period is 1 year.

1.7 Identification

Each i-vac 9B has a unique serial number that can be found on the bottom of the can. Your i-team partner needs this number when you order parts.

Explanation type plate:





 i-vac ^{9B} Dry use only	Product type: i-vac 9B
C9b i-vac DC24V 32MM	
Production code: C9B.I-V. XXXXX	Production code: C9B.I-V.0000B
Model: C9B	Model: C9B
Serial no.:	Serial number:
<u>Distributed by:</u> i-Team Professional Hoppenkuil 27 b 5626 DD Eindhoven,NL www.i-teamglobal.com	Distributer: i-team Professional Hoppenkuil 27 b NL-5626 DD Eindhoven
  	

Figure 4



2 Description

The body of the i-vac 9B® is made of durable and impact resistant material. The hose is extra long so you can reach out to difficult spots. The i-vac 9B can be combined with an optional i-brush®. This extra floor tool simultaneously agitates the carpet and removes dirt and dust. The i-vac 9B is powered by two i-power® batteries.

The i-vac 9B consists of:

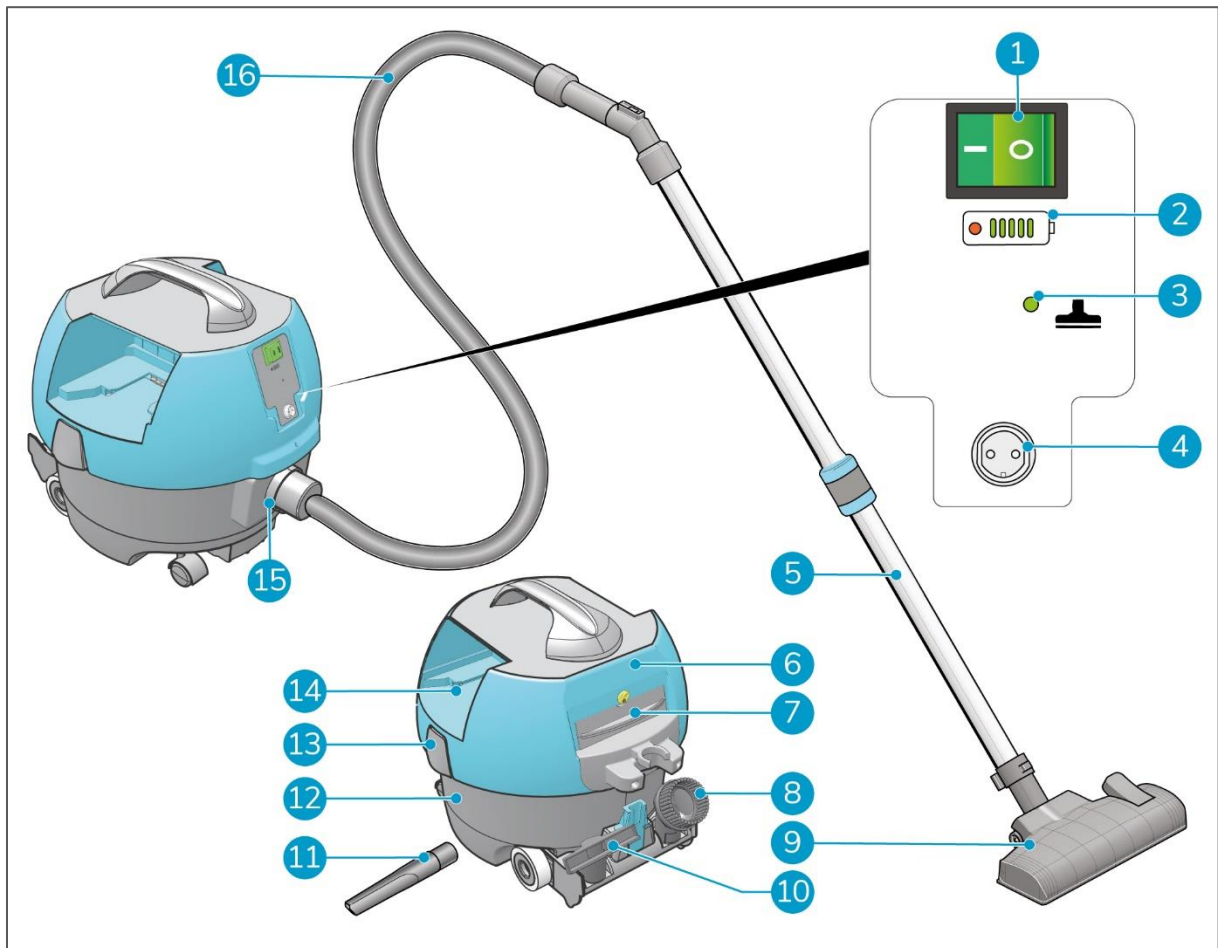


Figure 5

Legend

- | | |
|------------------------------------|-------------------------------|
| 1. An ON/OFF switch. | 9. A standard floor tool. |
| 2. A battery power status display. | 10. An upholstery tool. |
| 3. A vacuum function LED. | 11. A crevice tool. |
| 4. An i-brush connector. | 12. A can. |
| 5. A telescopic wand. | 13. A latch to open the head. |
| 6. A head. | 14. Two battery holders. |
| 7. A cassette filter. | 15. A hose connector. |
| 8. A round brush. | 16. A hose. |



2.1 Explanation LED indicators

1. Battery power status display. The green battery power status LEDs are always on during normal use. When the batteries are full all green LEDs are on, when the batteries get empty the green LEDs will go off one by one. The red low battery power LED turns on when you start the machine, after a few seconds it turns off. This is to check if the LED works. The red LED will also light up when the batteries are almost empty.
2. A vacuum function LED. The vacuum function LED flashes when the ON/OFF button is turned on. When the i-vac 9B® is on full power it is permanent on.

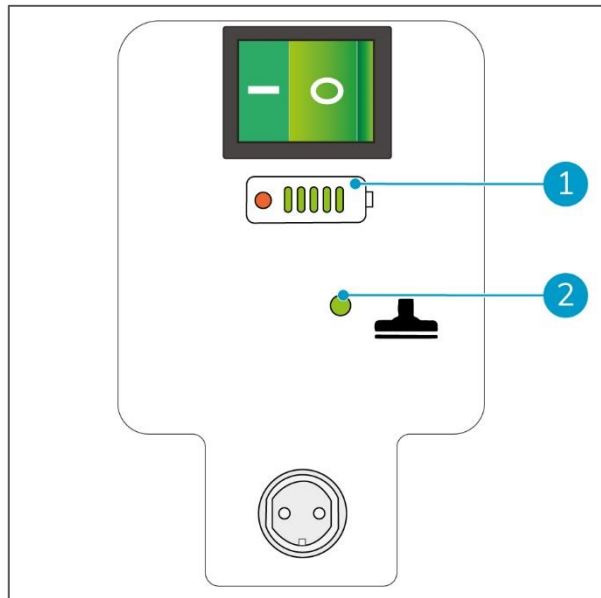


Figure 6



3 Safety

Safety comes first, therefore please take time to read and understand these safety instructions. Improper use can cause harm or void the manufacturer's warranty.

3.1 Batteries

CAUTION

During normal operation the 24 V batteries cause no safety hazard on their own. Please keep in mind the following safety instructions:



- do not crush, pierce or damage in any way;
- do not heat or incinerate;
- do not short-circuit;
- do not dismantle;
- keep the batteries dry;
- only charge between 5 °C ~ 40 °C / 41 °F ~ 104 °F;
- only use between 5 °C ~ 45 °C / 41 °F ~ 113 °F.

3.2 Risks during operation



WARNING

STOP OPERATION IMMEDIATELY if the i-vac 9B® does not perform properly or makes unusual noise. Service the i-vac 9B before you continue the operation.



WARNING

DO NOT operate the i-vac 9B without a filter dust bag.



WARNING

DO NOT use the i-vac 9B on damp or wet surfaces. This will cause damage to the i-vac 9B and is dangerous to the user. The damage caused by the use on a wet surface is not covered under the warranty.



4 Transport and storage

- do not store the i-vac 9B® outdoors;
- store the i-vac 9B in a dry place;
- in case the i-vac 9B is stored for a longer period, remove the batteries. See section 6.2.2;
- before you transport the i-vac 9B, remove the batteries. See section 6.2.2;
- before you use the i-vac 9B again, make sure the batteries are loaded, see the user manual of the i-charge 9®.



5 Assembly and installation

The i-vac 9B® does not require much assembly. The machine comes with 3 additional tools for vacuuming different types of surfaces.

5.1 Unboxing

The i-vac 9B is packed in 1 box. The batteries and the battery charger must be ordered separately.

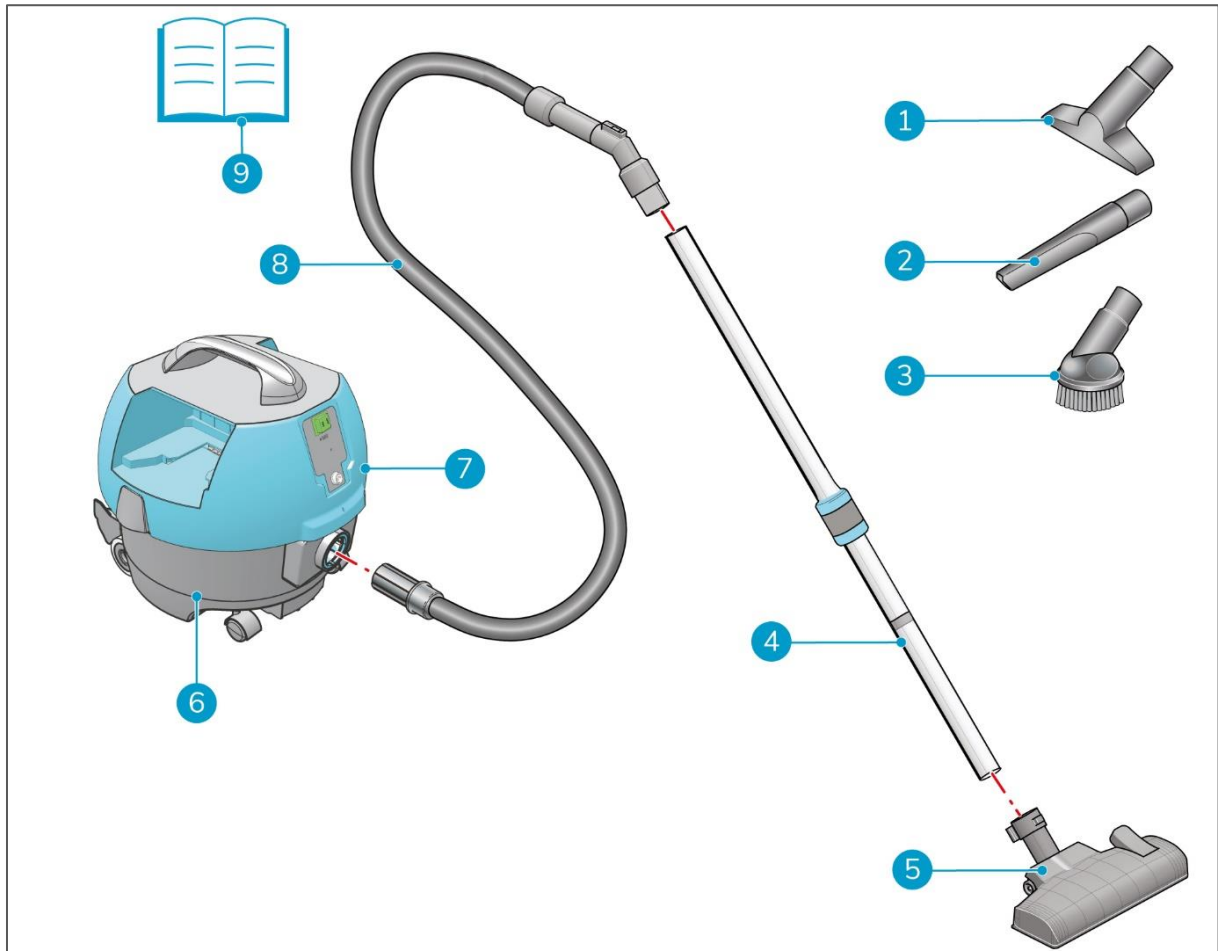


Figure 7

Legend

- | | |
|---------------------------|------------------------|
| 1. 1x upholstery tool | 6. 1x i-vac 9B can |
| 2. 1x crevice tool | 7. 1x i-vac 9B head |
| 3. 1x round brush | 8. 1x hose |
| 4. 1x telescopic wand | 9. 1x this user manual |
| 5. 1x standard floor tool | |



5.2 Assembly

1. Insert the hose (Figure 8, pos 1) into the hose connector (Figure 8, pos 6).
2. Turn the hose clockwise to lock it into place.
3. Insert the hose into the wand (Figure 8, pos 2).
4. Attach the standard floor tool (Figure 8, pos 5) on the wide end of the wand.
5. Place the upholstery tool and the round brush (Figure 8, pos 4) on the brackets (Figure 8, pos 3).

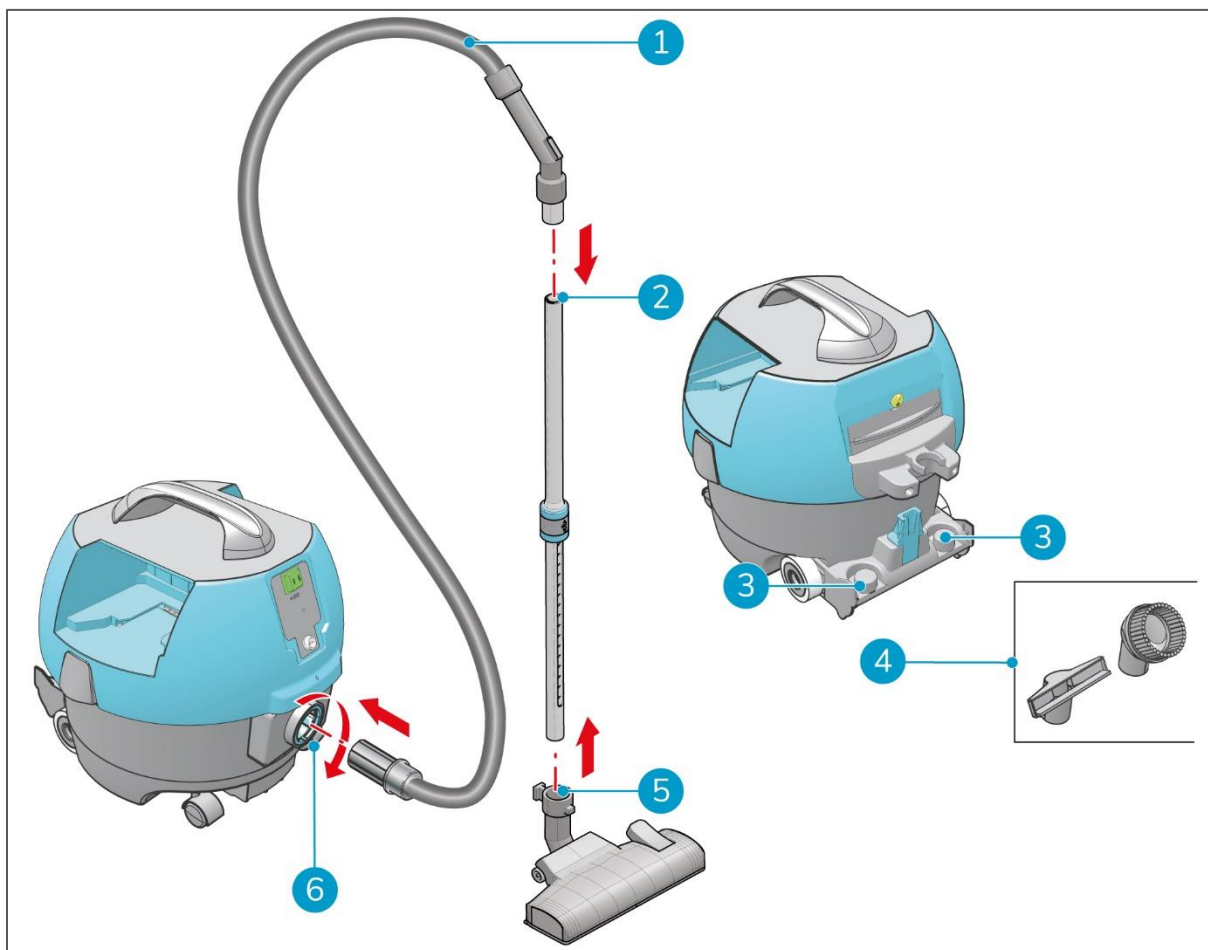


Figure 8



5.3 Replacing the dust bag

Check the dust bag every week and replace it if it is full. Only use original i-team dust bags.

Make sure that the hose is removed from the i-vac 9B® before removing the dust bag. You cannot remove the dust bag with the hose in place.

1. Turn off the i-vac 9B with the ON/OFF switch (Figure 9, pos 1).
2. Remove the batteries. See section 6.2.2.
3. Release the latches (Figure 9, pos 2) that are placed on both sides of the i-vac 9B®.
4. Lift the head by the handle (Figure 9, pos 3).

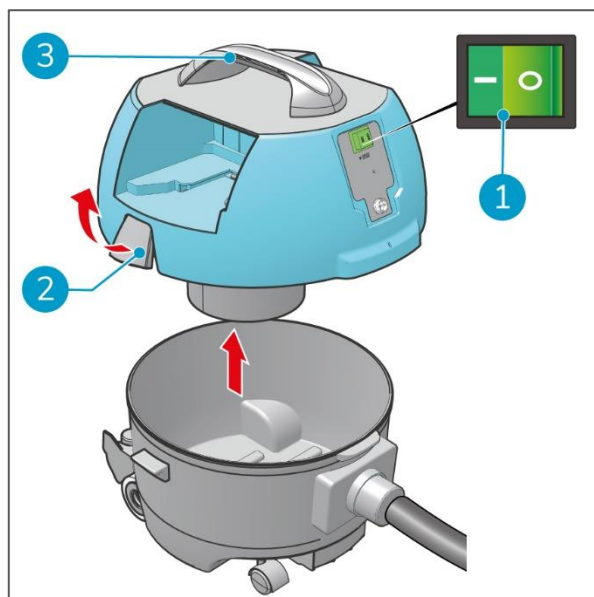


Figure 9

5. Place the head on a level surface (Figure 10, pos 1).

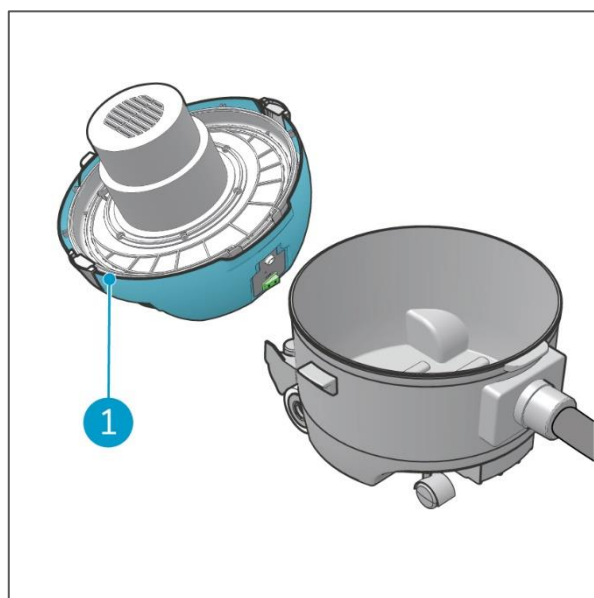


Figure 10

6. Turn the hose (Figure 11, pos 4) counterclockwise and remove it from the hose connector.
7. Pull the cardboard tag (Figure 11, pos 2) to seal the dust bag.
8. Fold the ends of the dust bag (Figure 11, pos 1) towards each other.
9. Remove the old dust bag (Figure 11, pos 3).

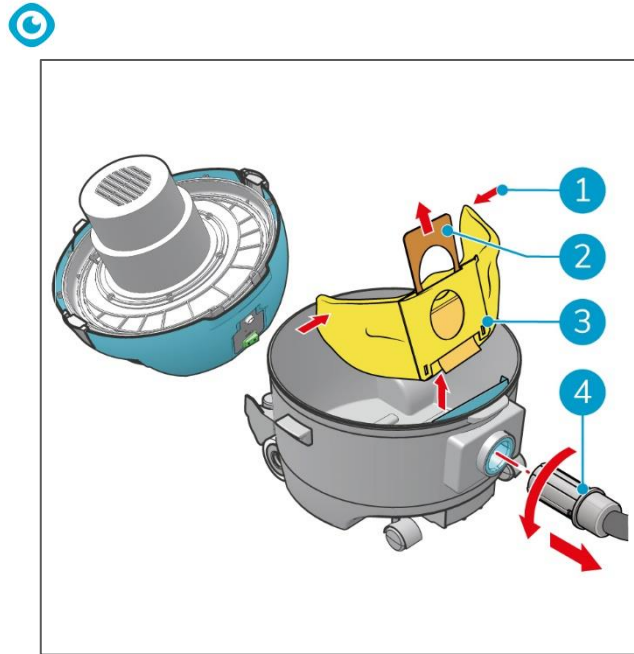


Figure 11

10. Slide the cardboard collar of the new dust bag (Figure 12, pos 1) fully into the slots to insert the dust bag.
11. Unfold the dust bag (Figure 12, pos 2).

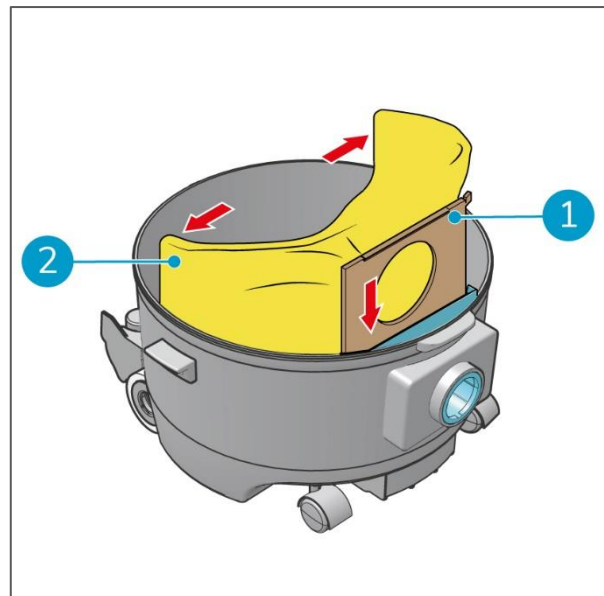


Figure 12

12. Place the hose (Figure 13, pos 1) into the hose connector (Figure 13, pos 2) turn it clockwise to lock it.

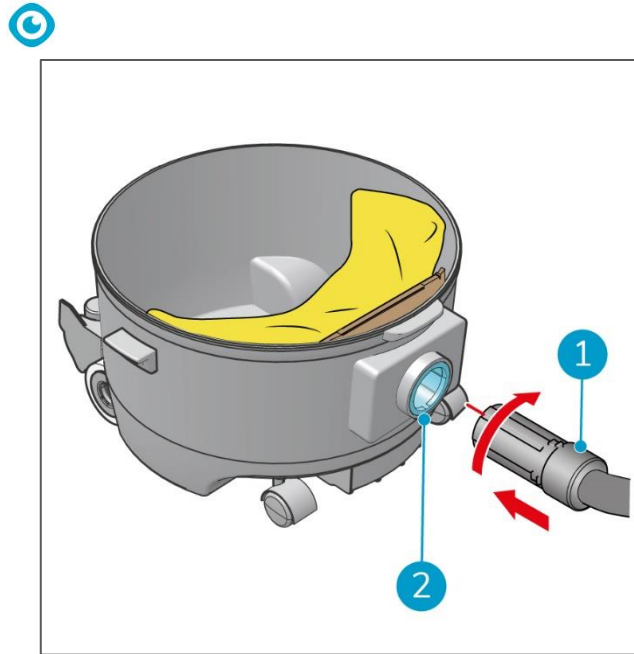


Figure 13

13. Place the head (Figure 14, pos 1) onto the can.
14. Fasten the latches (Figure 14, pos 2).
15. Replace the batteries. See section 6.1.2.

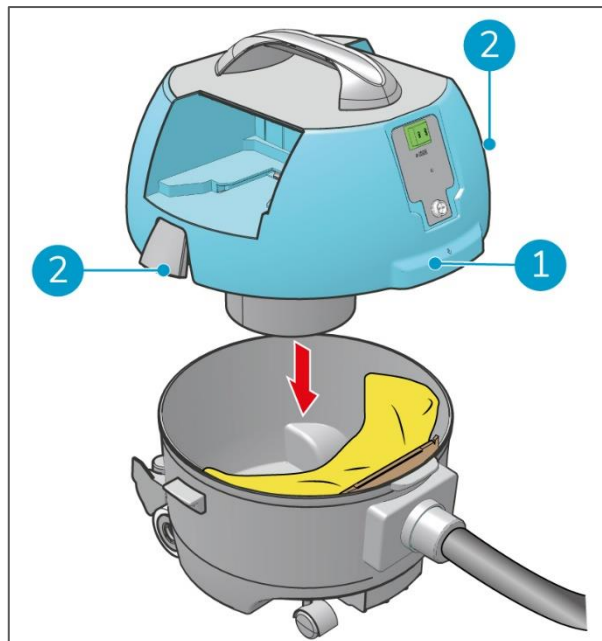


Figure 14



ATTENTION

Make sure that the head is correctly placed on the can, otherwise false air may be sucked in and this affects the performance of the i-vac 9B®.



6 Operation

6.1 Before you start

1. Check the i-vac 9B® for damage or defects.
2. Check that the dust bag is placed in the i-vac 9B. See also section 5.3.
3. Make sure you have the correct tool for the intended purpose. See also Figure 2.
4. Check the brush from the tool for wear and tear.
5. Check all filters. See section 7.2.

6.1.1 Height adjustment

Pull the knob (Figure 15, pos 1) on the wand up to unlock it, adjust the length of the wand and release knob to lock it.

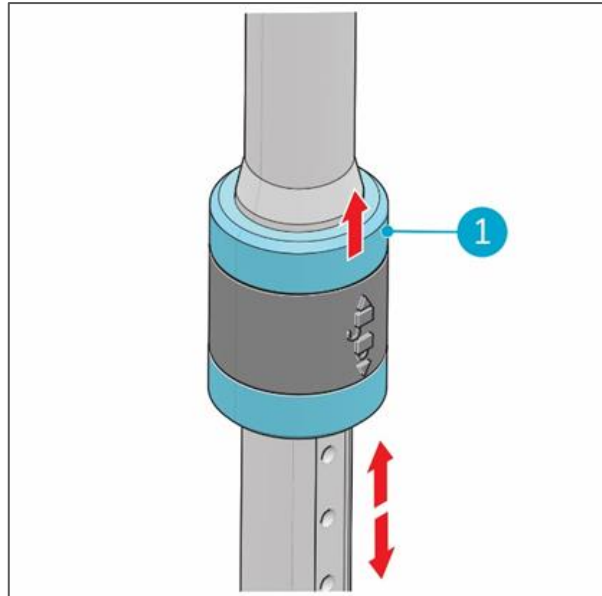


Figure 15



6.1.2 Insert and check the batteries

1. Align each battery with the slot (Figure 16, pos 1) and slide each battery in until you hear a "click". The batteries are now fixated.

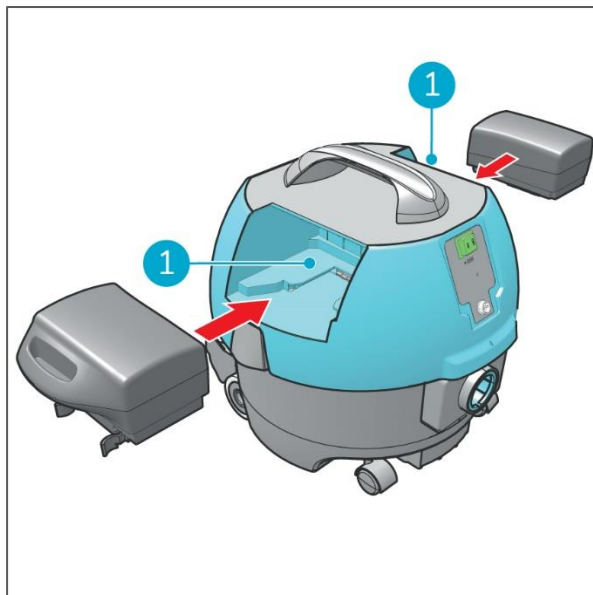


Figure 16

2. Press the ON/OFF switch (Figure 17, pos 1) to turn on the i-vac 9B®. The green light in the ON/OFF switch will go on.
3. Check the battery power status display below the ON/OFF switch (Figure 17, pos 2). See section 2.1.
4. Press the ON/OFF switch (Figure 17, pos 1) to turn off the i-vac 9B.

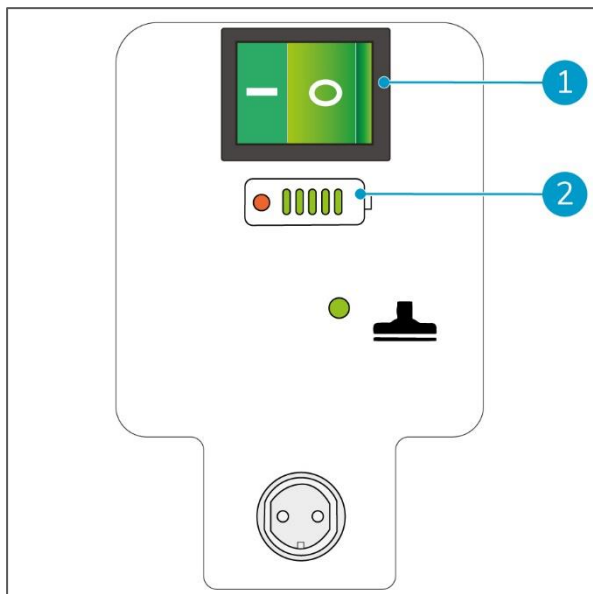


Figure 17

TIP:

It is not recommended to use the batteries when charged less than 40%. The i-vac 9B can operate on a single battery.



6.2 Normal operation

1. Press the ON/OFF switch (Figure 18, pos 1) to start the i-vac 9B®. The vacuum function LED will go on.
2. Take the wand (Figure 18, pos 2) from the holder.
3. Start vacuuming.

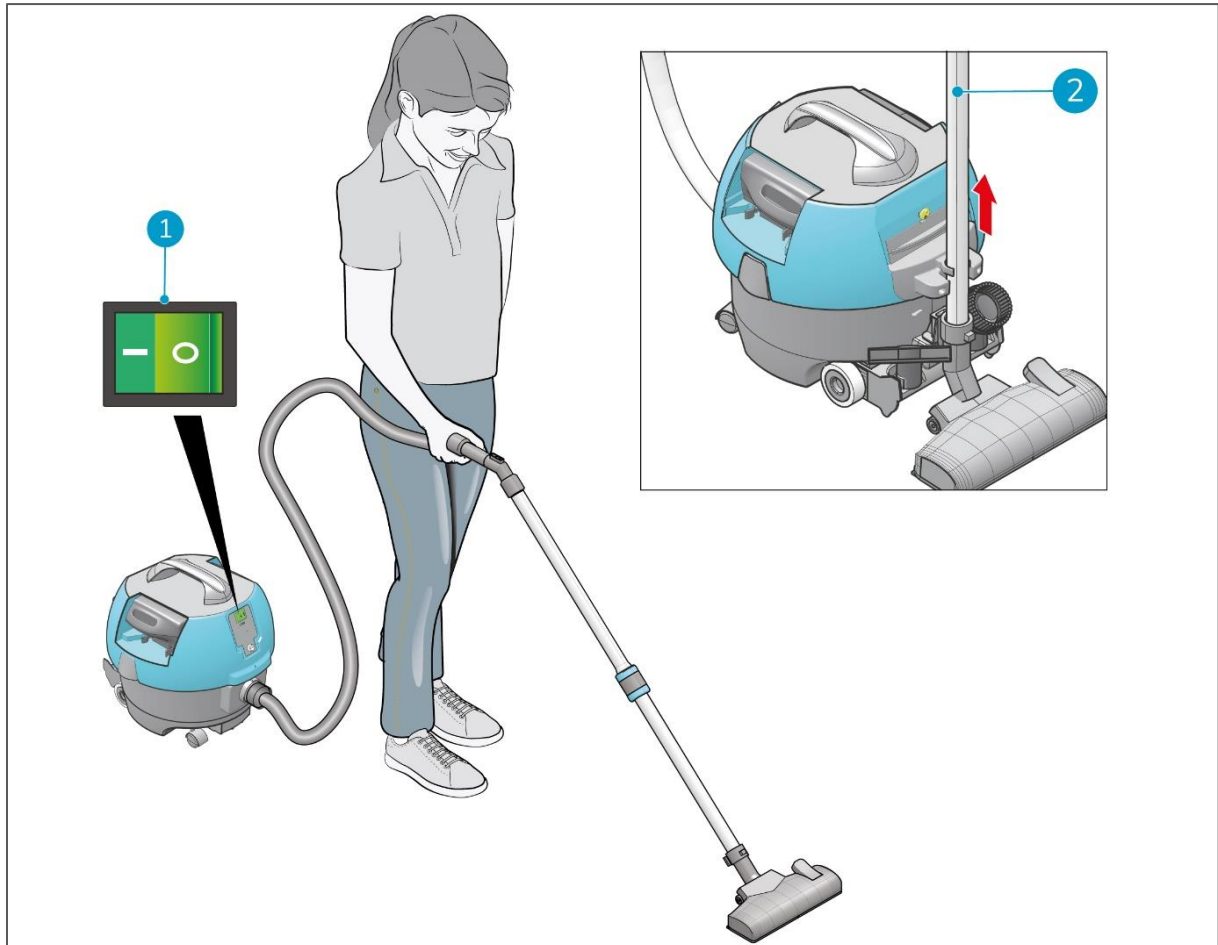


Figure 18

6.2.1 After normal operation

1. Press the ON/OFF switch (Figure 18, pos 1) to switch off the i-vac 9B.
2. Place the wand (Figure 18, pos 2) back in the holder.



6.2.2 Remove the batteries

1. Press the plastic clips of the battery (Figure 19, pos 1) slightly towards each other.
2. Pull out the battery.
3. Place the batteries in the charger for next use.

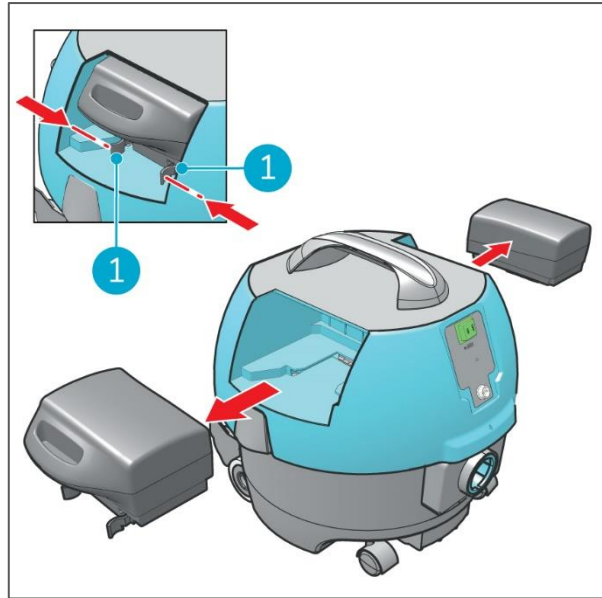


Figure 19



6.3 Operation with i-brush[®]

1. Turn the hose of the standard equipment counterclockwise (Figure 20, pos 6).
2. Remove the hose from the can of the i-vac 9B[®].
3. Insert the hose of the i-brush (Figure 20, pos 4) into the hose connector (Figure 20, pos 2).
4. Turn the hose clockwise to lock it into place.
5. Push the plug from the i-brush (Figure 20, pos 5) onto the connector on the i-vac 9B (Figure 20, pos 1) and tighten the ring of the plug.
6. Press the ON/OFF switch (Figure 20, pos 7) to turn on the i-vac 9B.
7. Press the ON/OFF switch (Figure 20, pos 3) to turn on the i-brush.
8. Start vacuuming. The i-brush works best if **no pressure** is applied to the brush.

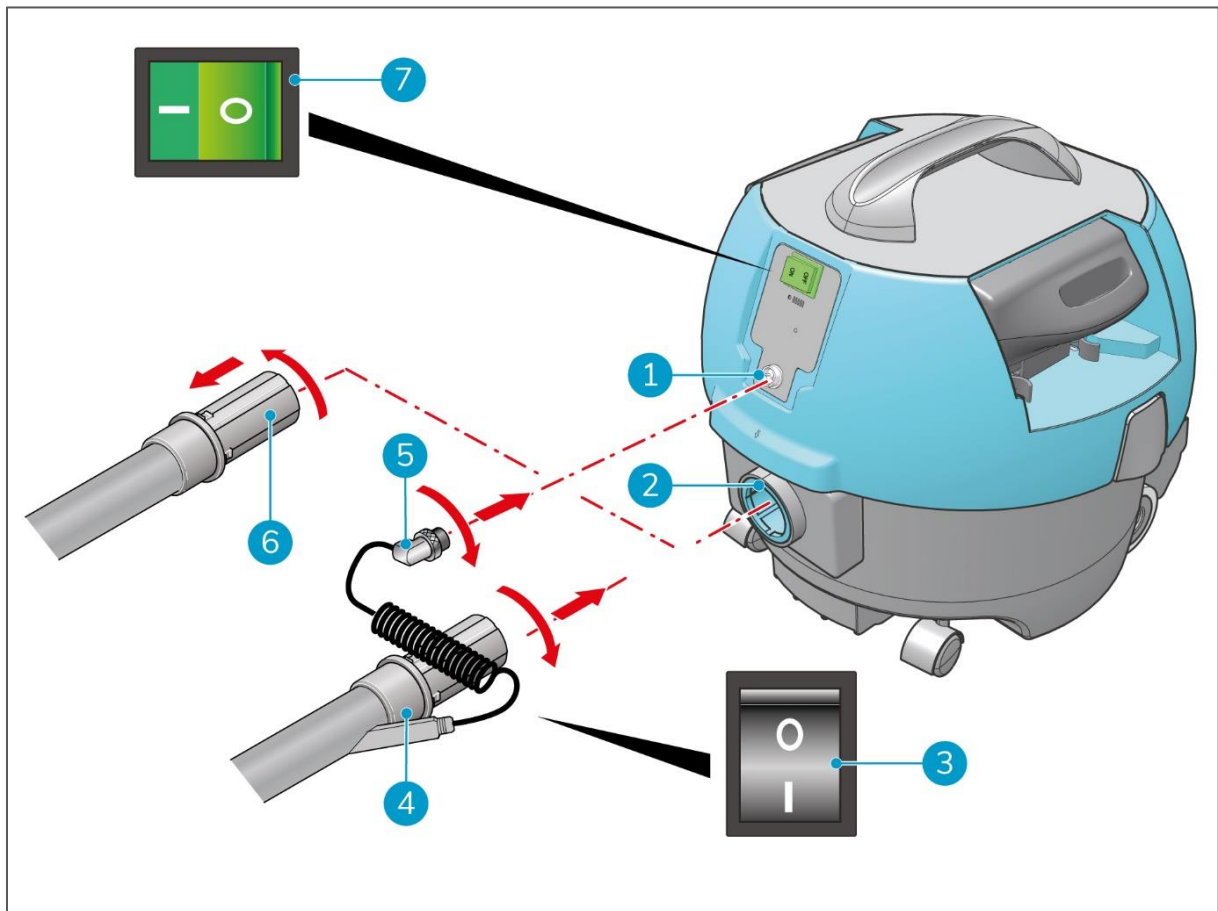


Figure 20

6.3.1 After operation with i-brush

1. Press the ON/OFF switch (Figure 20, pos 3) to turn off the i-brush.
2. Press the ON/OFF switch (Figure 20, pos 7) to turn off the i-vac 9B.



6.3.2 Remove the batteries

1. Press the plastic clips of the battery (Figure 21, pos 1) slightly towards each other.
2. Pull out the battery.
3. Place the batteries in the charger for next use.

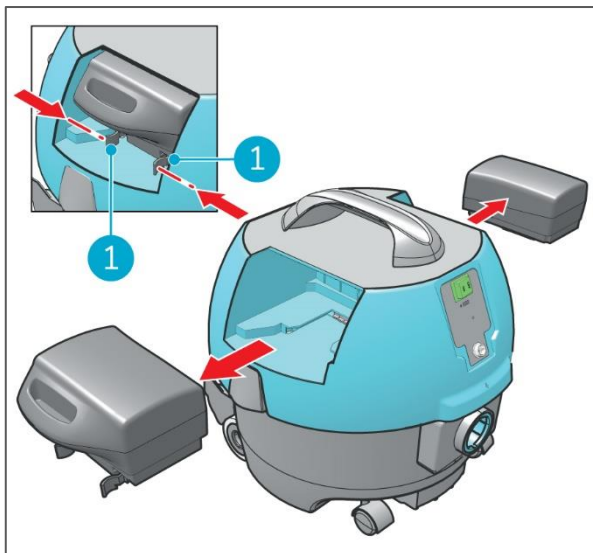


Figure 21



7 Maintenance



WARNING

Before you start maintenance or replacing parts: **Turn off the i-vac 9B® and remove the batteries.**

The i-vac 9B does not require much maintenance however it is recommended to clean the machine after using it and before storing it.

For a proper functioning and a long lifespan of the i-vac 9B, it is important to follow the recommended maintenance frequency mentioned In this manual.

Maintenance that is not described in this manual should be done by your i-team partner. Please make sure to have the model and serial number of the i-vac 9B available when you call a partner. For more information please fill out the contact form on www.i-teamglobal.com.

Maintenance and assembling or disassembling of the i-vac 9B may only be done by a person who:

- has correctly read and understood the instructions in this manual;
- is trained by an experienced operator who has read and understood the instructions in this manual;
- is an adult person.

7.1 Cleaning



WARNING

DO NOT clean the i-vac 9B with a high pressure cleaner.
DO NOT submerge the i-vac 9B in water.

7.1.1 Clean the machine

Clean the exterior of the machine using a damp cloth.

7.1.2 Clean the hose and wand

Keep the hose and wand clear. Remove objects that cause a blockage by beating the hose or wand gently with your hand.



WARNING

DO NOT use a sharp object to clean the hose or wand.



7.2 Replacing the filters

Check all filters before you start vacuuming, in case they look polluted or clogged, please replace them.

7.2.1 Replacing the cassette filter



CAUTION

When you place the new cassette filter into the head of the i-vac 9B®, make sure the arrows on the filter point upwards.

1. Turn the yellow locking disc (Figure 22, pos 1) up.
2. Pull out the cassette filter (Figure 22, pos 2) from the head of the i-vac 9B.
3. Push the new cassette filter into the head of the i-vac 9B.
4. Turn back the yellow locking disc.

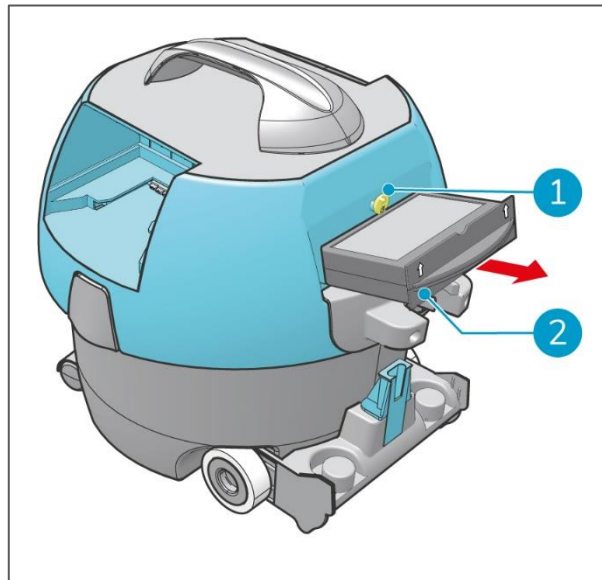


Figure 22

HEPA and ULPA filter types

Your i-vac 9B is equipped with a standard cassette filter, which is perfect for everyday cleaning. In addition to the standard cassette filter we have the HEPA and the ULPA filter types:

- the HEPA filter will remove pathogens, allergens and particles that may cause health issues that are often associated with asthma;
- the ULPA filters are used in environments where a high standard of clean air should be maintained.

Please contact your local i-team partner for all necessary filter certifications.



7.2.2 Replacing the motor filter

1. Turn off the i-vac 9B® with the ON/OFF switch (Figure 23, pos 1).
2. Remove the batteries. See section 6.2.2.
3. Release the latches (Figure 23, pos 2).
4. Lift the head by the handle (Figure 23, pos 3).

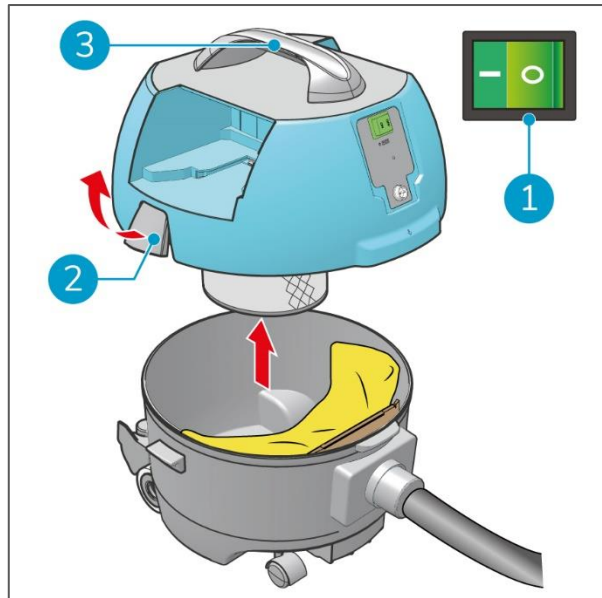


Figure 23

5. Place the head on a level surface (Figure 24, pos 1).

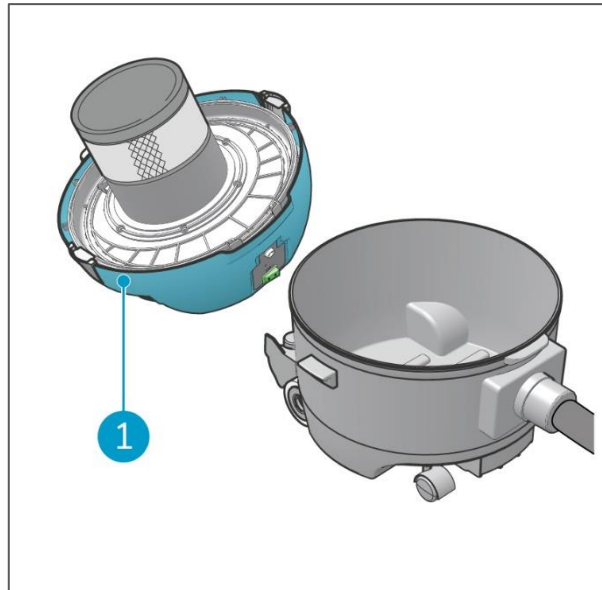


Figure 24



6. Lift the old motor filter (Figure 25, pos 1) up to remove it.
7. Place the new motor filter (Figure 25, pos 1).
8. Push the filter over the motor until it is completely down.

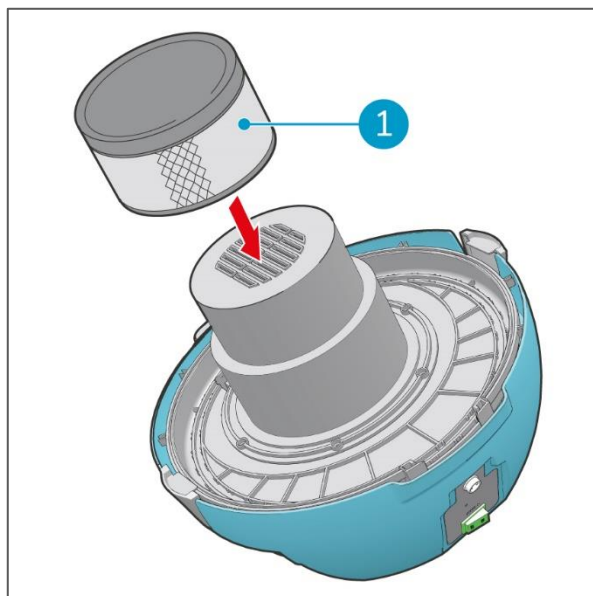


Figure 25

9. Place the head (Figure 26, pos 1) back on the can.
10. Fasten the latches (Figure 26, pos 2).
11. Replace the batteries. See section 6.1.2.

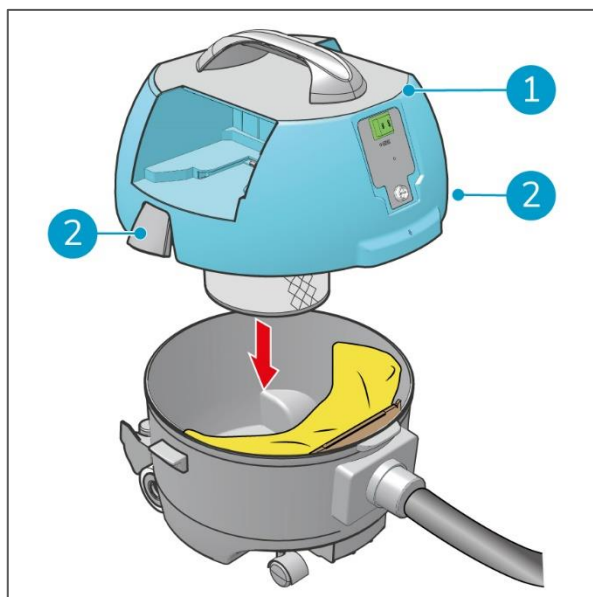


Figure 26

7.3 Brush and tool condition

Check the condition of the brush or tool before use. Only change the brush or tool when the machine is turned off.

7.4 Damaged or worn parts

Damaged or worn parts need to be replaced immediately. Contact your local i-team Global partner or visit www.i-teamglobal.com for more information.



7.5 Maintenance frequency

Make sure that routine and preventive maintenance is carried out periodically to ensure safe operation. Failure to carry out maintenance as necessary may cause damage to the i-vac 9B® and may cause a risk to the operator.

Check the dust bag every week and replace it if it is full.

Check the motor filter and the cassette filter every three months and replace it if it is full or after a period of intense use.

Authorized personnel should inspect the i-vac 9B once every year.

7.6 Storage

Store the i-vac 9B indoors.



8 Trouble shooting

Problem	Cause	Solution
No power, green light in ON/OFF switch does not burn	No batteries	Insert batteries.
	Empty batteries	Charge batteries.
	ON/OFF switch off	Turn on ON/OFF switch.
i-vac 9B® stops working	Motor overheated, a thermal switch stopped the motor	Let the i-vac 9B cool down. Check the filters, dust bag and hose. Wait approximately 30 minutes. Start the i-vac 9B by pushing the "ON" button.
Little suction power	Filter bag full	Turn off the i-vac 9B and replace filter bag.
	Hose not well attached	Turn off the i-vac 9B and reattach hose.
	Hose blocked	Turn off the i-vac 9B and remove blockage.
	Head not well placed on can	Turn off the i-vac 9B and replace the head on the can.
	Filters are full	Replace filters.
i-vac 9B makes strange sound	Motor is broken	Change motor.
	Carbon brushes are worn	Replace carbon brushes.
i-vac 9B smells strange	Filters are full	Replace filters.
Battery not charging	Battery is end of life	Replace battery.



9 Decommissioning and disposal



ATTENTION

It is the responsibility of the i-vac 9B® owner to dispose of the product responsibly.

At the end-of-life the i-vac 9B still contains valuable resources and needs to be disposed of according to your local laws and regulations regarding recycling of electrical equipment.

Before disposal please:



1. Remove the batteries for separate disposal (see section 6.3.2).

TIP:

Alternatively, keep the batteries for use in another piece of i-team equipment.

2. Remove all loose components like the tools, brush, hose and wand.
3. Dispose all items according to your local laws and regulations.

TIP:

Contact you local i-team partner to explore all possibilities of returning components at the end-of-life of your i-vac 9B.



10 Attachments

10.1 CE Certificate



EG/EC DECLARATION OF CONFORMITY

We: i-team PROFESSIONAL

Hereby declare the following equipment:

Product: Vacuum Cleaner

Model: C9B

Rating: DC24V, 450W

Class III

IPX0

Fulfills all the relevant provisions of European low Voltage Directive 2014/35/EU and EMC Directive 2014/30/EU. This equipment has been designed and manufactured in accordance with following harmonized European standards:

EN 55014-1: 2017

EN 55014-2: 2015

EN 62233: 2015

EN 61000-3-2: 2014

EN 61000-3-3: 2014

Eindhoven, May 2019

(Place and Date of issue)

Frank van de Ven
Director

(name and signature or equivalent marking or authorized person)

Hoppenkuil 31 | 5626 DD | Eindhoven | NL | Hoppenkuil 31 | 5626 DD | NL | Phone (+31) 40 266 24 00

hello@i-teamglobal.com | www.i-teamglobal.com | CoC 58299416 | VAT No. NL852973068901

Rabobank | Swift RABONL2U | Eur No. 104462345 | IBAN NL71RABO0104462345 | USD No. | IBAN NL71RABO0104462345



This document is part of the technical file of the i-vac 9B® and will be available upon request.