

SC500

Instructions for use

Bedienungshandbuch
Instructions d'utilisation
Instructions for use
Gebruiksaanwijzing

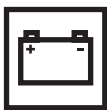
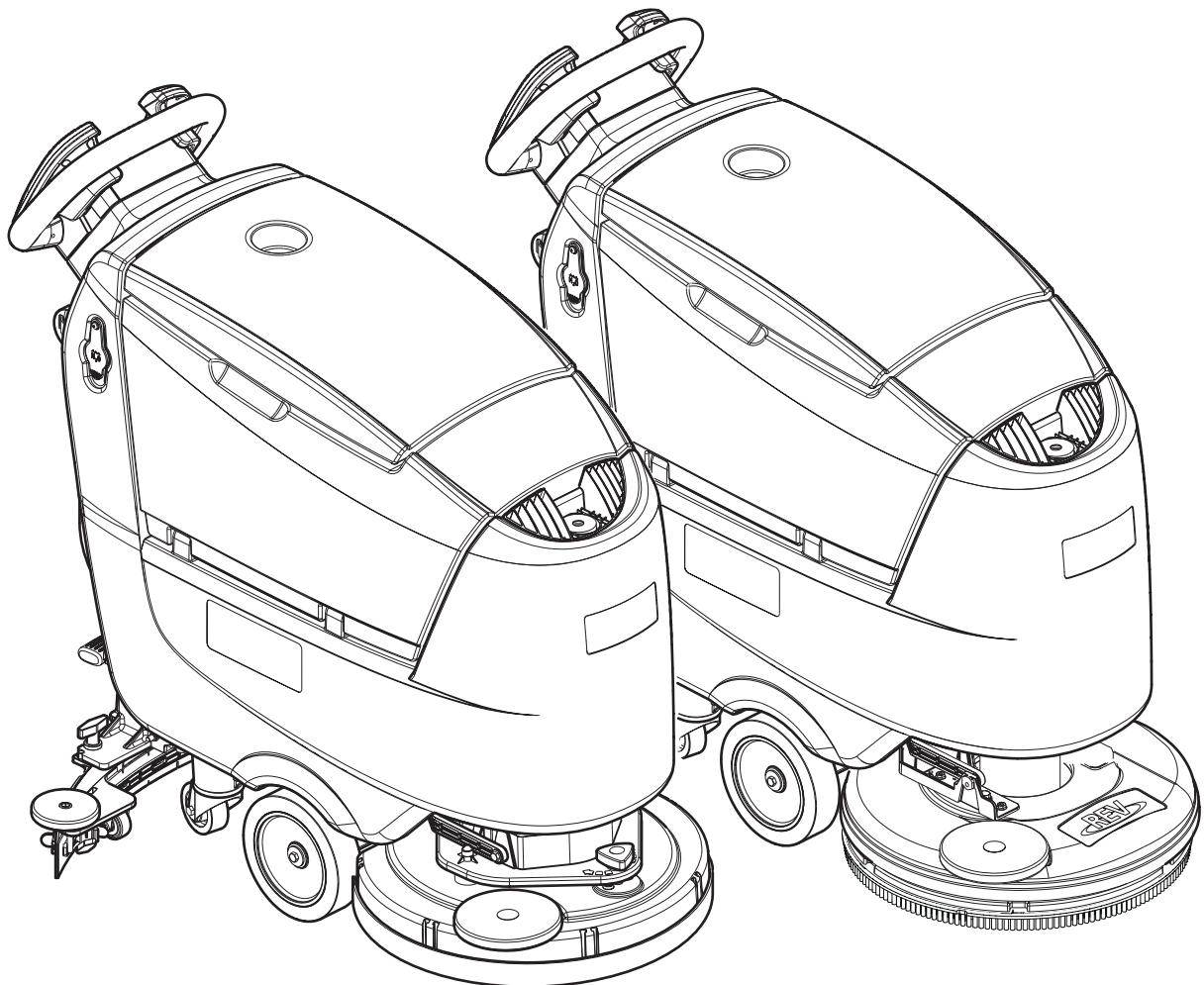


11/2014 Revised 07/2017
(C)
9099974000



ecoflex™

Deutsch
Français
English
Nederlands



Models No.:
9087400020, 9087401020, 9087402020

See previous manual for the models no.:
9087350020, 9087351020, 9087355020



Сертификат за съответствие
Osvědčení o shodě
Konformitätserklärung
Overensstemmelsecertifikat
Declaración de conformidad
Vastavusertifikaat
Déclaration de conformité
Yhdenmukaisuustodistus
Conformity certificate

Πιστοποιητικό συμμόρφωσης
Megfelelősségi nyilatkozat
Potvrda sukladnosti
Dichiarazione di conformità
Atitikties deklaracija
Atbilstības deklarācija
Konformitetscertificering
Conformiteitsverklaring
Declaração de conformidade

Deklaracija zgodności
Certificat de conformitate
Заявление о соответствии
Överensstämmelsecertifikat
Certifikát súladu
Certifikat o ustreznosti
Uyumluluk sertifikası



Модел / Model / Modell / Model / Modelo / Mudel / Modèle / Malli / Model
/ Μοντέλο / Modell / Model / Modello / Modelis / Modelis / Modell / Model
/ Modelo / Model / Model / Модель / Modell / Model / Model / Model :

SC500

Тип / Typ / Typ / Type / Tipo / Tüüp / Type / Tyypit / Type / Τύπος /
Típus / Vrsta / Tipo / Tipas / Tips / Type / Type / Tipo / Typ / Tip / Тип /
Typ / Typ / Tip / Tip :

SCRUBBER-DRYER

Сериен номер / Výrobní číslo / Seriennummer / Seriennummer / Número de serie / Seerianumber / Numéro de série / Sarjanumero / Serial number /
Σειριακός αριθμός / Sorozatszám / Serijski broj / Numero di serie / Serijos numeris / Sērijas numurs / Seriennummer / Seriennummer / Número de série /
Numer seryjny / Număr de serie / Серийный номер / Seriennummer / Výrobné číslo / Serijska številka / Seri Numarası :

Година на производство / Rok výroby / Baujahr / Fabrikationsår / Año de fabricación / Válgjalaskeasta / Année de fabrication / Valmistusvuosi / Year of
construction / Έτος κατασκευής / Gyártási év / Godina izgradnje / Anno di costruzione / Pagaminimo metai / Izgatavošanas gads / Byggeår / Baujaar /
Año de fabrico / Rok produkcji / Anul fabricației / Год выпуска / Tillverkningsår / Rok výroby / Leto izdelave / Leto izdelave/İmal yılı :

BG Долоуподписаният потвърждава, че гореспоменатият модел е произведен в съответствие със следните директиви и стандарти. Техническият файл е съставен от производителя.

CZ Níže podepsaný stvrzuje, že výše uvedený model byl vyroben v souladu s následujícími směrnici a normami. Autorem technického listu je výrobce.

D Der Unterzeichner bestätigt hiermit dass die oben erwähnten Modelle gemäß den folgenden Richtlinien und Normen hergestellt wurden. Die technische Dokumentation wird vom Hersteller erstellt.

DK Undertegnede attesterer herved, at ovennævnte model er produceret i overensstemmelse med følgende direktiver og standarder. Den tekniske fil er udarbejdet af fabrikanten.

E El abajo firmante certifica que los modelos arriba mencionados han sido producidos de acuerdo con las siguientes directivas y estándares. El fascículo técnico está redactado por el fabricante

EST Allakirjutatu kinnitab, et ülalnimetatud mudel on valmistatud kooskõlas järgmistele direktiividele ja normidele. Tehnilise dokumentatsiooni koostab tootja.

F Je soussigné certifie que les modèles ci-dessus sont fabriqués conformément aux directives et normes suivantes. Le dossier technique est rédigé par le fabricant.

FIN Allekirjoittaja vakuuttaa että yllämainittu malli on tuotettu seuraavien direktiivien ja standardien mukaan. Valmistaja kääntää teknisen tiedoston.

GB The undersigned certify that the above mentioned model is produced in accordance with the following directives and standards. The technical file is compiled by the manufacturer.

GR Ο κάτωθι υπογεγραμμένος πιστοποιεί ότι η παραγωγή του προαναφερθέντος μοντέλου γίνεται σύμφωνα με τις ακόλουθες οδηγίες και πρότυπα. Το τεχνικό αρχείο συντάσσεται από τον κατασκευαστή.

H Alulírottak igazoljuk, hogy a fent említett modellt a következő irányelvek és szabványok alapján hoztuk létre. A műszaki fájlt a gyártó készítette.

HR Potpisani potvrđujem da gore spomenuti model proizveden u skladu sa sljedećim direktivama i standardima. Tehničku dokumentaciju sastavlja proizvođač.

I Il sottoscritto dichiara che i modelli sopra menzionati sono prodotti in accordo con le seguenti direttive e standard. Il fascicolo tecnico è redatto dal costruttore.

LT Toliau pateiktu dokumentu patvirtinama, kad minėtas modelis yra pagamintas laikantis nurodytų direktyvų bei standartų. Techninę bylą sudarė gamintojas.

LV Ar šo tiek apliecināts, ka augstākminētais modelis ir izgatavots atbilstoši šādām direktīvām un standartiem. Tehnisko aprakstu ir sastādījis ražotājs.

N Undertegnede attesterer att ovennævnte modell är produceret i överensstemmelse med följande direktiv och standarder. Den tekniske filen er opprettet av produsenten.

NL Ondergetekende verzekert dat de bovengenoemde modellen geproduceerd zijn in overeenstemming met de volgende richtlijnen en standaards. Het technische bestand is door de fabrikant samengesteld.

P A presente assinatura serve para declarar que os modelos supramencionados são produtos em conformidade com as seguintes directivas e normas. A ficha técnica é redigida pelo fabricante.

PL Niżej podpisany zaświadcza, że wymieniony powyżej model produkowany jest zgodnie z następującymi dyrektywami i normami. Dokumenty techniczne zostały przygotowane przez producenta.

RO Subsemnatul atest că modelul sus-menționat este produs în conformitate cu următoarele directive și standarde. Fișierul tehnic este redactat de către producător.

RUS Настоящим удостоверяется, что машина вышеуказанной модели изготовлена в соответствии со следующими директивами и стандартами. Техническая документация составлена производителем.

S Undertecknad intygar att ovennämnda modell är producerad i överensstämmelse med följande direktiv och standarder. Den tekniska filen är sammanställd av tillverkaren.

SK Dolu podpísaný osvedčuje, že hore uvedený model sa vyrába v súlade s nasledujúcimi smernicami a normami. Technický súbor vytvoril výrobca.

SLO Spodaj podpisani potrjujem, da je zgoraj omenjeni model izdelan v skladu z naslednjimi smernicami in standardi. Spis s tehnično dokumentacijo pripravi izdelovalec.

TR Aşağıda İmzası olan kişi, yukarıda bahsedilen model cihazın aşağıda verilen direktiflere ve standartlara uygunlukta imal edildiğini onaylar. Teknik dosya üretici tarafından derlenmiştir.

EC Machinery Directive 2006/42/EC

EN ISO 12100, EN ISO 13857, EN 349, EN 982

EN 60335-1, EN 60335-2-72, EN 50366

EC EMC Directive 2014/30/EU

EN 55014-1, EN 55014-2, EN 61000-6-2

Производителя / Výrobce / Hersteller / Fabrikanten /
Fabricante / Tootja / Fabricant / Valmistaja / Manufacturer
/ Κατασκευαστή / Gyártó / Proizvođač / Costruttore
/ Gamintojas / Ražotājs / Produzenten / Fabrikant /
Fabricante / Producenta / Producător / Производителем /
Tillverkaren / Výrobca / Izdelovalec / Üretici :

Nilfisk S.p.A. a socio unico

Strada Comunale della Braglia, 18 - 26862 - GUARDAMIGLIO (LO) - ITALY

Tel: +39 (0)377 451124, Fax: +39 (0)377 51443

Authorized signatory: Sergio Coccapani, R&D Director

Date:

Signature:

TABLE OF CONTENTS

INTRODUCTION	2
MANUAL PURPOSE AND CONTENTS	2
TARGET	2
HOW TO KEEP THIS MANUAL	2
DECLARATION OF CONFORMITY	2
IDENTIFICATION DATA	2
OTHER REFERENCE MANUALS	2
SPARE PARTS AND MAINTENANCE	2
CHANGES AND IMPROVEMENTS	2
OPERATION CAPABILITIES	3
CONVENTIONS	3
UNPACKING/DELIVERY	3
SAFETY	3
VISIBLE SYMBOLS ON THE MACHINE	3
SYMBOLS THAT APPEAR ON THIS MANUAL	4
GENERAL INSTRUCTIONS	4
MACHINE DESCRIPTION	6
MACHINE STRUCTURE	6
CONTROL PANEL	8
ACCESSORIES/OPTIONS	9
TECHNICAL DATA	9
WIRING DIAGRAM	10
USE/OPERATION	11
MAGNETIC SMART KEY	11
BATTERY CHECK/SETTING ON A NEW MACHINE	11
BATTERY INSTALLATION	11
BEFORE MACHINE START-UP	12
MACHINE START AND STOP	14
MACHINE OPERATION (SCRUBBING/DRYING)	15
TANK EMPTYING	17
AFTER USING THE MACHINE	17
MACHINE LONG INACTIVITY	17
MAINTENANCE	18
SCHEDULED MAINTENANCE TABLE	18
BATTERY CHARGING	19
SUPERVISOR KEY (yellow)	20
SQUEEGEE CLEANING	22
SQUEEGEE BLADE CHECK AND REPLACEMENT	22
CLEANING THE BRUSH	23
RECOVERY TANK CLEANING	23
SOLUTION FILTER CLEANING	24
MACHINE TRACKING ADJUSTMENT	24
DETERGENT TANK CLEANING	25
DRAINING THE ECOFLEX SYSTEM	26
FUSE CHECK/REPLACEMENT	26
TROUBLESHOOTING	27
SCRAPPING	28

INTRODUCTION



NOTE

The numbers in brackets refer to the components shown in Machine Description chapter.

MANUAL PURPOSE AND CONTENTS

The purpose of this Manual is to provide the operator with all necessary information to use the machine properly, in a safe and autonomous way. It contains information about technical data, safety, operation, storage, maintenance, spare parts and disposal. Before performing any procedure on the machine, the operators and qualified technicians must read this Manual carefully. Contact Nilfisk in case of doubts concerning the interpretation of the instructions and for any further information.

TARGET

This Manual is intended for operators and technicians qualified to perform the machine maintenance.

The operators must not perform procedures reserved for qualified technicians. Nilfisk will not be answerable for damages coming from the non-observance of this prohibition.

HOW TO KEEP THIS MANUAL

The Instructions for Use Manual must be kept near the machine, inside an adequate case, away from liquids and other substances that can cause damage to it.

DECLARATION OF CONFORMITY

The Declaration of Conformity, supplied with the machine, certifies the machine conformity with the law in force.



NOTE

Two copies of the original declaration of conformity are provided together with the machine documentation.

IDENTIFICATION DATA

The machine serial number and model name are marked on the plate (4).

Year of production (Date code: A17 means January 2017) and model number are marked on the same plate.

This information is useful when requiring machine spare parts. Use the following table to write down the machine identification data.

Model
Model number
Serial number

OTHER REFERENCE MANUALS

- Electronic battery charger Manual, to be considered as integral part of this Manual
- Spare Parts List (supplied with the machine)
- Service Manual (that can be consulted at Nilfisk Service Centers)

SPARE PARTS AND MAINTENANCE

All necessary operating, maintenance and repair procedures must be performed by qualified personnel or by Nilfisk Service Centers. Only original spare parts and accessories must be used.

Contact Nilfisk for service or to order spare parts and accessories, specifying the model name, model number and serial number.

CHANGES AND IMPROVEMENTS

Nilfisk constantly improves its products and reserves the right to make changes and improvements at its discretion without being obliged to apply such benefits to the machines that were previously sold.

Any change and/or addition of accessory must be approved and performed by Nilfisk.

OPERATION CAPABILITIES

The SC500 scrubber-dryer is used to clean (scrubbing and drying) smooth and solid floors, in commercial or industrial environment, under safe operation conditions by a qualified operator.

The scrubber-dryer cannot be used for fitted carpet and carpet cleaning.

CONVENTIONS

Forward, backward, front, rear, left or right are intended with reference to the operator's position, that is to say in driving position with the hands on the handlebar (1).

UNPACKING/DELIVERY

To unpack the machine, carefully follow the instructions on the packing.

When the machine is delivered, check that the packing and the machine were not damaged during transportation.

In case of visible damages, keep the packing and have it checked by the carrier that delivered it. Call the carrier immediately to fill in a damage claim.

Please check that the following items have been supplied with the machine:

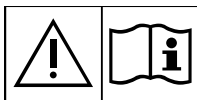
- Technical documents:
 - Scrubber-dryer Instructions for Use Manual
 - Electronic battery charger manual (if installed)
 - Scrubber-dryer Spare Parts List

SAFETY

The following symbols indicate potentially dangerous situations. Always read this information carefully and take all necessary precautions to safeguard people and property.

The operator's cooperation is essential in order to prevent injury. No accident prevention program is effective without the total cooperation of the person responsible for the machine operation. Most of the accidents that may occur in a factory, while working or moving around, are caused by failure to comply with the simplest rules for exercising prudence. A careful and prudent operator is the best guarantee against accidents and is essential for successful completion of any prevention program.

VISIBLE SYMBOLS ON THE MACHINE



WARNING!

Carefully read all the instructions before performing any operation on the machine.



WARNING!

Do not wash the machine with direct or pressurized water jets.



WARNING!

Do not use the machine on slopes with a gradient exceeding the specifications.

SYMBOLS THAT APPEAR ON THIS MANUAL



DANGER!

It indicates a dangerous situation with risk of death for the operator.



WARNING!

It indicates a potential risk of injury for people.



CAUTION!

It indicates a caution or a remark related to important or useful functions. Pay careful attention to the paragraphs marked by this symbol.



NOTE

It indicates a remark related to important or useful functions.



CONSULTATION

It indicates the necessity to refer to the Instructions for Use Manual before performing any procedure.

GENERAL INSTRUCTIONS

Specific warnings and cautions to inform about potential damages to people and machine are shown below.



DANGER!

- *Before performing any maintenance, repair, cleaning or replacement procedure, remove the magnetic smart key (or ignition key) and disconnect the battery connector.*
- *This machine must be used by properly trained operators only.*
- *Do not wear jewels when working near electrical components.*
- *Do not work under the lifted machine without supporting it with safety stands.*
- *Do not operate the machine near toxic, dangerous, flammable and/or explosive powders, liquids or vapours. This machine is not suitable for collecting dangerous powders.*
- *When using lead (WET) batteries, keep sparks, flames and smoking materials away from the batteries. During the normal operation explosive gases are released.*
- *When using lead (WET) batteries, battery charging produces highly explosive hydrogen gas. During battery charging, lift the recovery tank and perform this procedure in well-ventilated areas and away from naked flames.*



WARNING!

- *Carefully read all the instructions before performing any maintenance/repair procedure.*
- *The magnetic smart key has a built-in magnet. Do not place objects having magnetic bands (such as credit cards, electronic keys, phone cards) near the key. The built-in magnet can damage or erase the data stored on the magnetic bands.*
- *Before using the battery charger, ensure that frequency and voltage values, indicated on the machine serial number plate, match the electrical mains voltage.*
- *Do not pull or carry the machine by the battery charger cable and never use the battery charger cable as a handle. Do not close a door on the battery charger cable, or pull the battery charger cable around sharp edges or corners. Do not run the machine on the battery charger cable.*
- *Keep the battery charger cable away from heated surfaces.*
- *Do not charge the batteries if the battery charger cable or the plug are damaged.*
- *To reduce the risk of fire, electric shock, or injury, do not leave the machine unattended when it is plugged in. Before performing any maintenance procedure, disconnect the battery charger cable from the electrical mains.*
- *Do not smoke while charging the batteries.*
- *To avoid any unauthorized use of the machine, remove the magnetic smart key (or ignition key).*
- *Do not leave the machine unattended without being sure that it cannot move independently.*

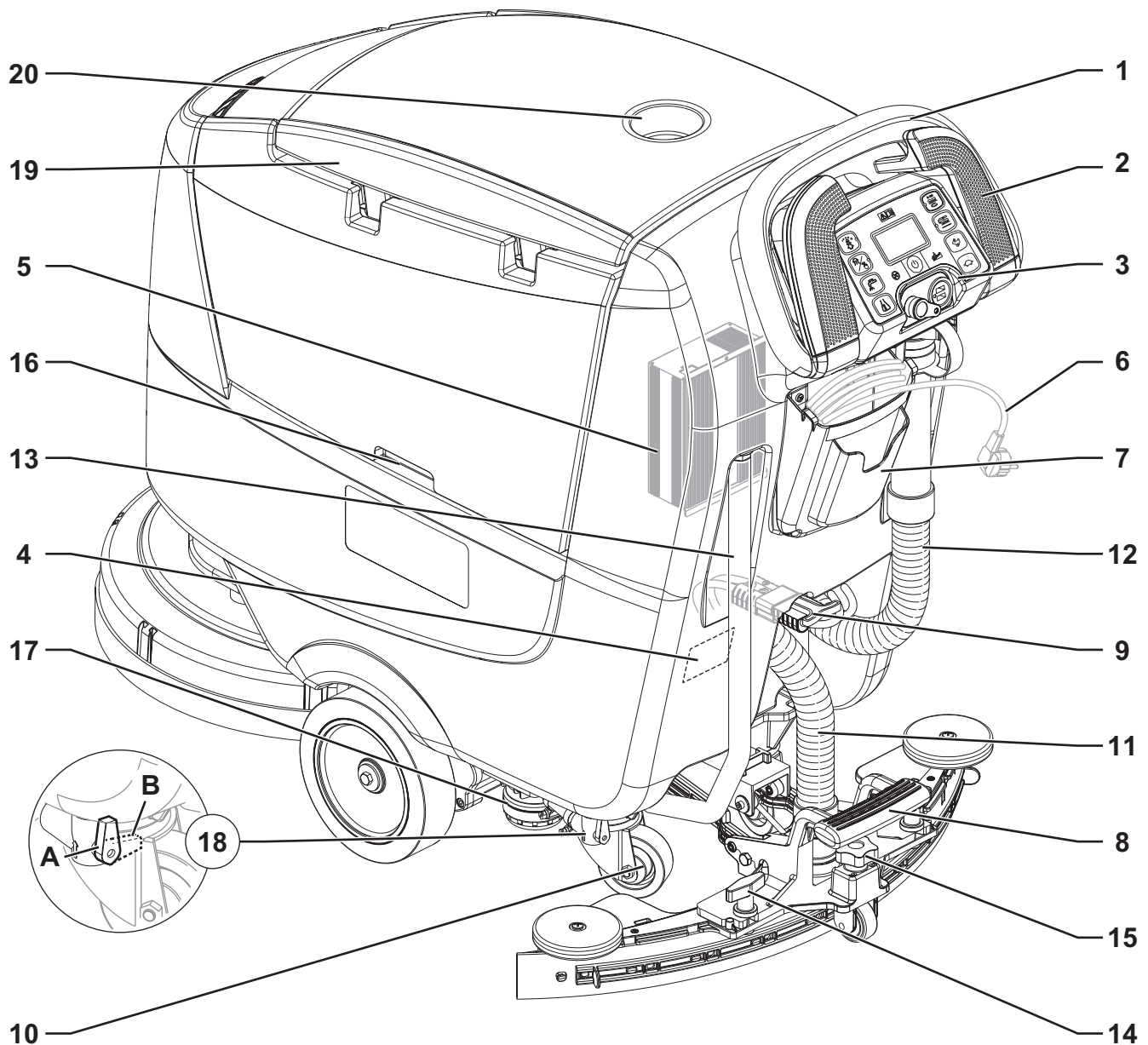
**WARNING!**

- *Always protect the machine against the sun, rain and bad weather, both under operation and inactivity condition. This machine must be used in dry conditions, it must not be used or kept outdoors in wet conditions.*
- *Before using the machine, close all doors and/or covers as shown in the Instructions for Use Manual.*
- *This machine is not intended for use by persons (including children) with reduced physical, sensory or mental capabilities, or lack of experience and knowledge, unless they have been given supervision or instruction concerning use of the machine by a person responsible for their safety. Children should be supervised to ensure that they do not play with the machine.*
- *Close attention is necessary when used near children.*
- *Use only as shown in this Manual. Use only Nilfisk's recommended accessories.*
- *Check the machine carefully before each use, always check that all the components have been properly assembled before use. If the machine is not perfectly assembled it can cause damages to people and properties.*
- *Take all necessary precautions to prevent hair, jewels and loose clothes from being caught by the machine moving parts.*
- *Do not use the machine on slopes.*
- *Do not tilt the machine more than the angle indicated on the machine itself, in order to prevent instability.*
- *Do not use the machine in particularly dusty areas.*
- *Use the machine only where a proper lighting is provided.*
- *While using this machine, take care not to cause damage to people or objects.*
- *Do not bump into shelves or scaffoldings, especially where there is a risk of falling objects.*
- *Do not lean liquid containers on the machine, use the relevant can holder.*
- *The machine working temperature must be between 0 °C and +40 °C.*
- *The machine storage temperature must be between 0 °C and +40 °C.*
- *The humidity must be between 30 % and 95 %.*
- *When using floor cleaning detergents, follow the instructions on the labels of the detergent bottles.*
- *To handle floor cleaning detergents, wear suitable gloves and protections.*
- *Do not use the machine as a means of transport.*
- *Do not allow the brush/pad to operate while the machine is stationary to avoid damaging the floor.*
- *In case of fire, use a powder fire extinguisher, not a water one.*
- *Do not tamper with the machine safety guards and follow the ordinary maintenance instructions scrupulously.*
- *Do not allow any object to enter into the openings. Do not use the machine if the openings are clogged. Always keep the openings free from dust, hairs and any other foreign material which could reduce the air flow.*
- *Do not remove or modify the plates affixed to the machine.*
- *When the machine is to be pushed for service reasons (missing or discharged batteries, etc.), the speed must not exceed 4 km/h.*
- *This machine cannot be used on roads or public streets.*
- *Pay attention during machine transportation when temperature is below freezing point. The water in the recovery tank or in the hoses could freeze and seriously damage the machine.*
- *Use brushes and pads supplied with the machine or those specified in the Instructions for Use Manual. Using other brushes or pads could reduce safety.*
- *In case of machine malfunctions, ensure that these are not due to lack of maintenance. If necessary, request assistance from the authorised personnel or from an authorised Service Center.*
- *If parts must be replaced, require ORIGINAL spare parts from an Authorised Dealer or Retailer.*
- *To ensure machine proper and safe operation, the scheduled maintenance shown in the relevant chapter of this Manual, must be performed by the authorised personnel or by an authorised Service Center.*
- *Do not wash the machine with direct or pressurised water jets, or with corrosive substances.*
- *The machine must be disposed of properly, because of the presence of toxic-harmful materials (batteries, etc.), which are subject to standards that require disposal in special centres (see Scrapping chapter).*

MACHINE DESCRIPTION

MACHINE STRUCTURE

- | | |
|---|---|
| <ol style="list-style-type: none"> 1. Drive handlebar 2. Forward/reverse gear and activation paddle 3. Control panel 4. Serial number plate/technical data/conformity certification 5. Battery charger (*) 6. Battery charger cable (*) 7. Battery charger cable housing and document holder 8. Squeegee lifting/lowering pedal 9. Battery connector (red).
This connector also works as EMERGENCY push-button, to stop immediately all functions. 10. Rear pivoting wheels 11. Squeegee vacuum hose | <ol style="list-style-type: none"> 12. Recovery water drain hose 13. Solution drain and level check hose 14. Squeegee mounting handwheels 15. Squeegee adjusting knob 16. Tank lifting handle 17. Solution filter 18. Solution valve:
A) Open valve
B) Closed valve 19. Recovery tank cover 20. Can holder <p>(*) Optional for BASIC version</p> |
|---|---|

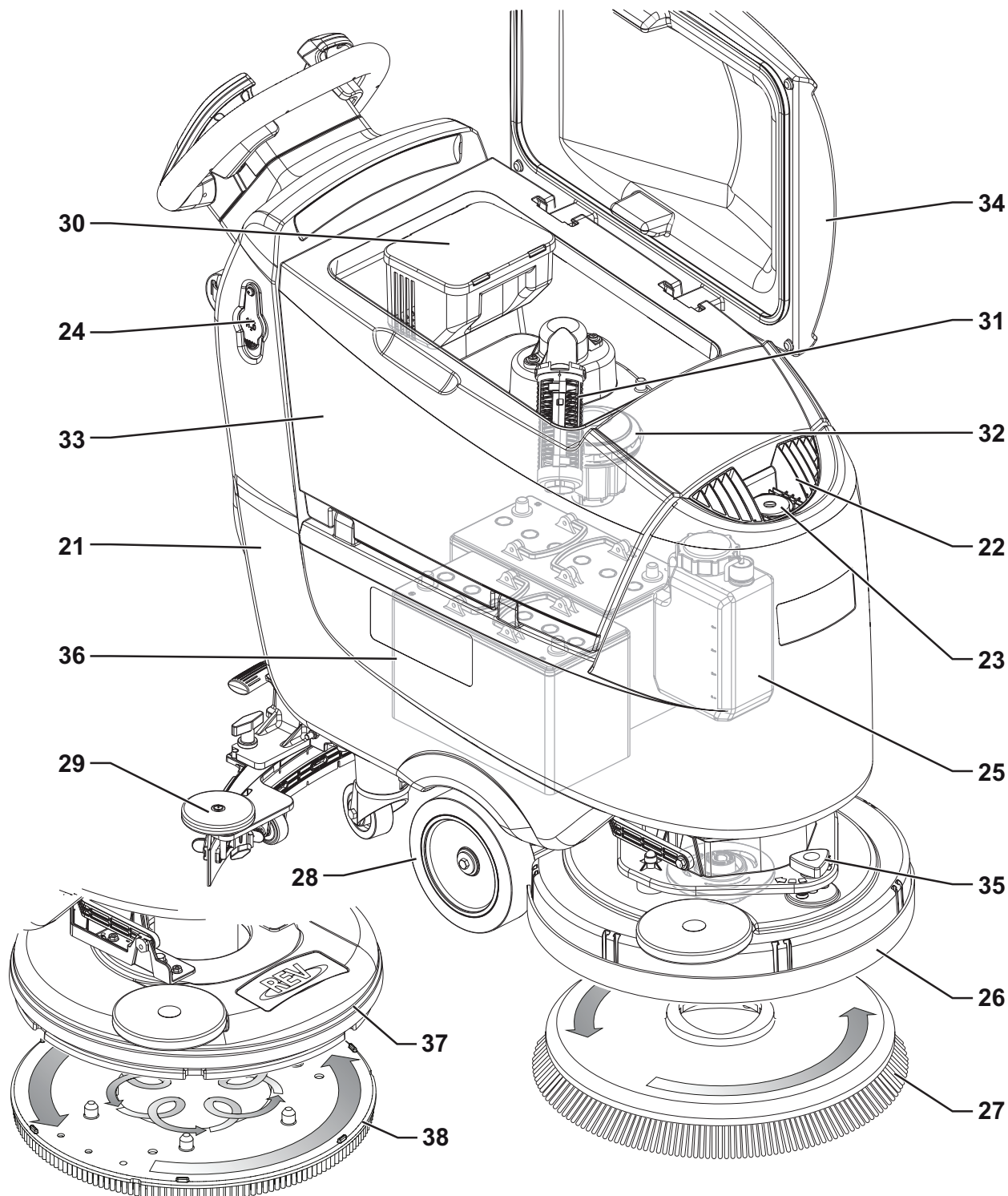


P100837

MACHINE STRUCTURE (Continues)

- | | |
|---|---|
| 21. Solution tank | 31. Vacuum grid with automatic shut-off float |
| 22. Detergent solution tank front filler | 32. Vacuum system motor |
| 23. Water removable filler hose | 33. Recovery tank |
| 24. Detergent solution tank side filler cap | 34. Recovery water tank cover (open) |
| 25. EcoFlex detergent canister (*) | 35. Straight forward movement adjusting knob |
| 26. Disc brush deck | 36. Batteries (*) |
| 27. Brush | 37. REV deck (**) |
| 28. Front driving wheels | 38. REV brush (**) |
| 29. Squeegee | |
| 30. Debris collection tank | |

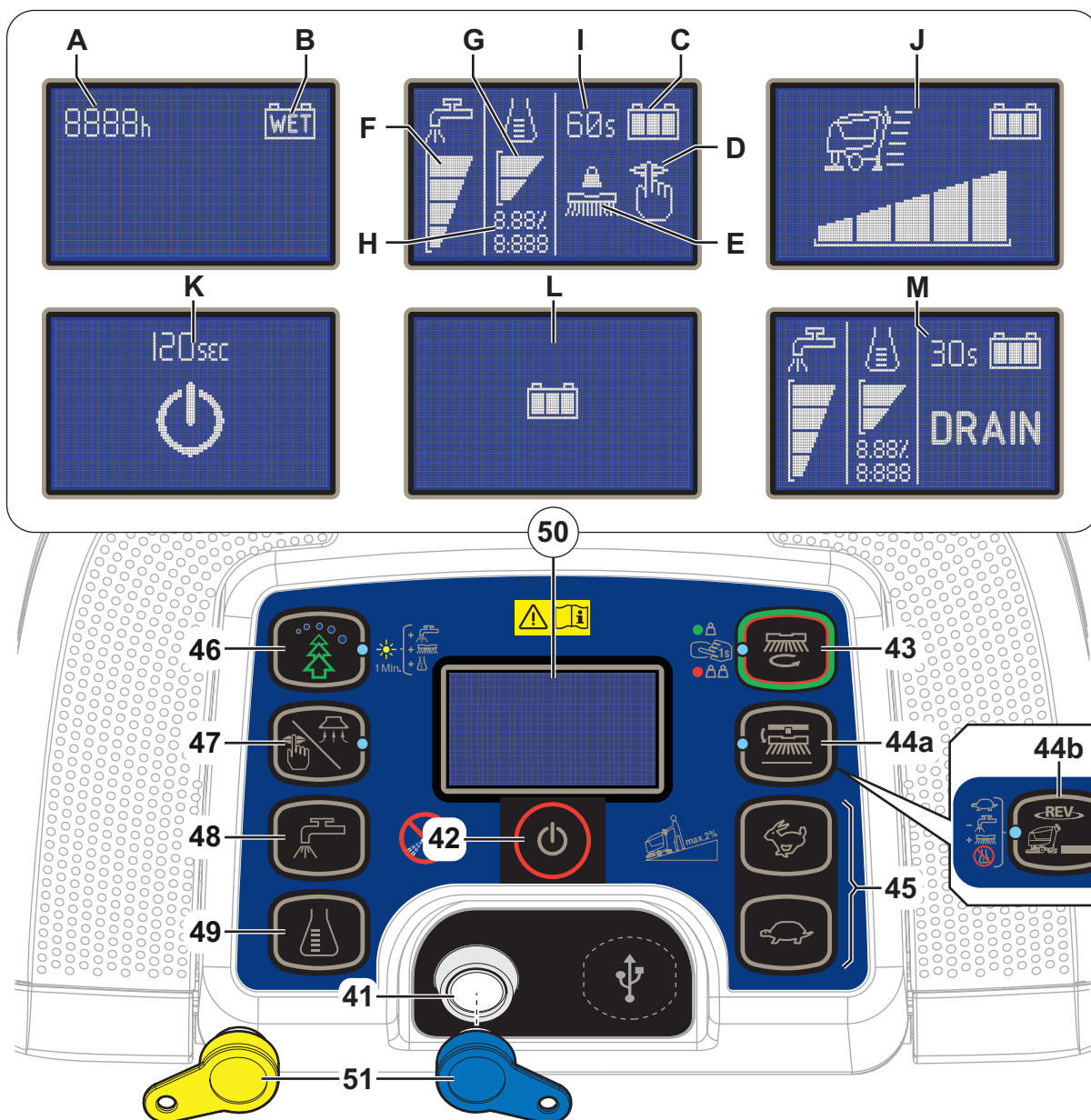
(*) Optional for BASIC version
 (**) For REV version only



P100838

CONTROL PANEL

- 41. Smart key reader
 - 42. Start/stop switch
 - 43. One-Touch™ Scrub ON/OFF push-button
 - Flashing green LED: Brush deck moving up/down
 - Green LED: Ready for work
 - Red LED - Extra pressure active (hold for one second)
 - 44a. Brush release push-button
 - Flashing LED - Releasing system activated
 - 44b. REV function push-button (**)
 - 45. Maximum speed adjustment push-buttons:
 - Hare - Increase speed
 - Tortoise - Decrease speed
 - 46. EcoFlex system push-button (*)
 - LED on - EcoFlex system on
 - Led flashing - Temporary override
 - 47. Vacuum system adjustment/deactivation button
 - LED on - vacuum system activated
 - 48. Detergent flow adjustment button
 - 49. Detergent percentage adjustment push-button (*)
 - 50. Display:
 - A) Hours worked
 - B) Battery type
 - C) Battery charge level
 - D) Vacuum mode
 - E) Brush work mode
 - F) Detergent solution flow quantity
 - G) Detergent percentage quantity (*)
 - H) Percentages of detergent in the washing water (*)
 - I) EcoFlex system override timer (*)
 - J) Maximum machine speed setting
 - K) Auto shut-off timer
 - L) Battery charging with on-board battery charger (*)
 - M) EcoFlex system drain activation (*)
 - 51. Magnetic smart key
 - Blue = User key
 - Yellow = supervisor key
- (*) Optional for BASIC version
 (**) For REV version only



P100839

ACCESSORIES/OPTIONS

In addition to the standard components, the machine can be equipped with the following accessories/options, according to the machine specific use:

- GEL batteries
- Splash guard
- Electronic battery charger
- Natural rubber squeegee blades
- Brushes of different materials
- EcoFlex
- Pads of different materials
- USB port

For further information concerning the optional accessories, contact an authorised Retailer.

TECHNICAL DATA

Model	Nilfisk SC500 53 B	Nilfisk SC500 53R B
Solution tank capacity	45 litres	
Recovery tank capacity	45 litres	
Machine length	1,277 mm	1,302 mm
Machine width with squeegee	720 mm	
Machine width without squeegee	532 mm	538 mm
Machine height	1,063 mm	
Cleaning width	530 mm	
Driving wheel diameter	200 mm	
Driving wheel specific pressure on the floor	0.7 N/mm ²	
Rear wheel diameter	80 mm	
Rear wheel specific pressure on the floor	2.1 N/mm ²	
Brush/pad diameter	530/508 mm	
Brush pressure with extra pressure function turned off	15 kg	22 kg
Brush pressure with extra pressure function turned on	30 kg	30 kg
Solution flow values	0.75 cl/m / 1.5 cl/m 3.0 cl/m / 2.8 l/min	0.38 cl/m / 0.75 cl/m 1.5 cl/m / 2.8 l/min
EcoFlex system detergent percentage	0.25 % ÷ 3 %	
Sound pressure level at workstation (ISO 11201, ISO 4871, EN 60335-2-72) (LpA)	63 ± 3 dB(A)	65 ± 3 dB(A)
Sound pressure level at workstation in silent mode (LpA)	60 ± 3 dB(A)	61 ± 3 dB(A)
Machine sound power level (ISO 3744, ISO 4871, EN 60335-2-72) (LwA)	81 dB(A)	83 dB(A)
Vibration level at the operator's arms (ISO 5349-1, EN 60335-2-72)	< 2.5 m/s ²	
Maximum gradient when working	2 %	
Drive system motor power	200 W	
Drive speed (variable)	0 - 5 km/h	
Vacuum system motor power	280 W	
Vacuum system circuit capacity	760 mm H ₂ O	
Brush motor power	450 W	670 W
Brush rotation speed	155 rpm	-
Total absorbed power (*)	500 W	
IP protection class	X4	
Protection class (electric)	III (I for the battery charger)	
Battery compartment size	350x350x260 mm	
System voltage	24 V	
Standard batteries (2)	12 V 105 AhC5	
Battery charger	24 V 13 A	
Work autonomy (*)	3.5 hour	
Weight without batteries and with empty tanks	83 kg 85 kg (full package)	88 kg
Gross vehicle weight (GVW)	207 kg	210 kg
Shipping weight	114 kg 192 kg (full package)	119 kg

(*) Values reflect standard operating conditions (EN 60335-2-72)

WIRING DIAGRAM

Key

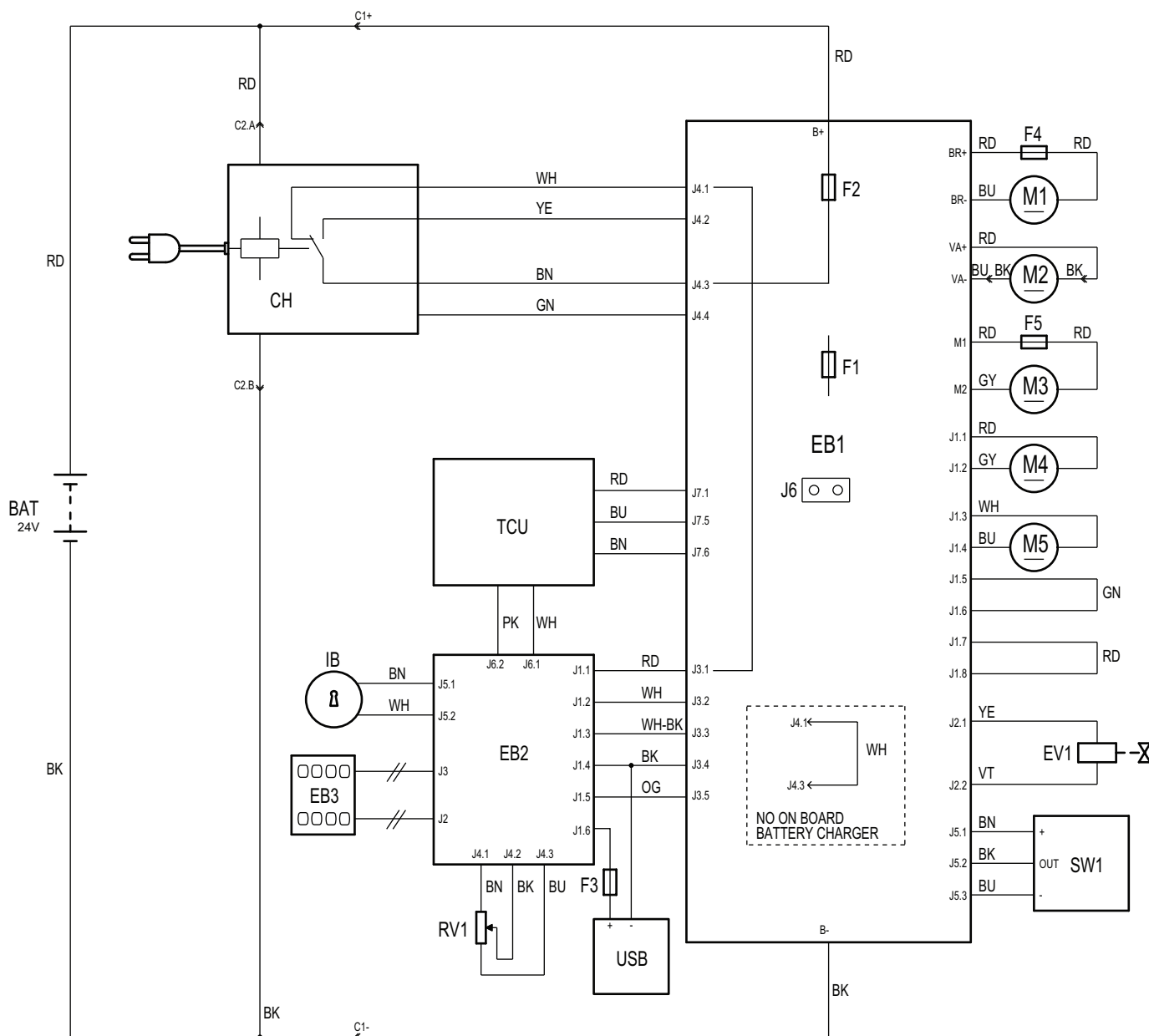
BAT	24 V batteries (*)
C1	Battery connector
C2	Battery charger main connector (*)
CH	Battery charger (*)
EB1	Function electronic board
EB2	Display electronic board
EB3	Dashboard instrument board
EV1	Solenoid valve
F1	Function electronic board fuse
F2	Signal circuit fuse
F3	USB port fuse
F4	Brush motor fuse
F5	Drive system motor fuse
IB	Smart key
M1	Brush motor
M2	Vacuum system motor
M3	Drive system motor
M4	EcoFlex pump (*)

M5	Brush deck actuator
RV1	Speed potentiometer
SW1	Detergent level sensor (*)
TCU	TrackClean (optional)
USB	USB port (optional)

Colour codes

BK	Black
BU	Blue
BN	Brown
GN	Green
GY	Grey
OG	Orange
PK	Pink
RD	Red
VT	Violet
WH	White
YE	Yellow

(*) Optional for BASIC version



P100840

USE/OPERATION



WARNING!

On some points of the machine there are some adhesive plates indicating:

- **DANGER**
- **WARNING**
- **CAUTION**
- **CONSULTATION**

While reading this Manual, the operator must pay particular attention to the symbols shown on the plates (see Visible Symbols On The Machine paragraph).

Do not cover these plates for any reason and immediately replace them if damaged.

MAGNETIC SMART KEY

A magnetic smart key (51) is required to start the machine. If the start switch (42) is pressed and the key is not in the key reader (41), the display will turn on temporarily and it will show a key insertion request, then it will turn off.

There are two different magnetic smart keys:

1. "User" key (blue) for scrubbing/drying operations and basic information.
2. "Supervisor" key (yellow) for accessing additional features (see the Supervisor key paragraph in Maintenance chapter).

BATTERY CHECK/SETTING ON A NEW MACHINE



WARNING!

The electric components of the machine can be seriously damaged if the batteries are either improperly installed or connected.

The batteries must be installed by qualified personnel only.

Check the batteries for damage before installation.

Handle the batteries with great care.

The machine requires 2 12 V batteries, connected according to the diagram shown in Figure 1.

The machine can be supplied in one of the following modes:

Batteries already installed on the machine

1. Ensure that the battery connector (9) is connected.
2. When first using the machine with new batteries, perform a full charging cycle (see the procedure in Maintenance chapter).

Without batteries

1. Buy appropriate batteries (see "Technical Data" paragraph). For battery choice and installation, apply to qualified battery Retailers.
2. Set the machine according to the type of batteries installed as shown in the Supervisor key paragraph, in Maintenance chapter.

BATTERY INSTALLATION

Battery Installation

1. Remove the user key (51).
2. Disconnect the battery connector (9).
3. Lift the cover (34) and check that the recovery tank (33) is empty; if not, empty it using the drain hose (12).
4. Close the cover (19).
5. Grasp the handle (16) and carefully lift the tank (33).
6. The machine is supplied with cables suitable to install 2 12 V batteries. Carefully lift the batteries up to the compartment, then install them correctly.
7. Route and install the battery cable as shown in Figure 1, then carefully tighten the nut on each battery terminal.
8. Place the protection cap on each terminal, then connect the battery connector (9).
9. Grasp the handle (16) and carefully lower the tank (33).

Battery Charging

10. Fully charge the batteries (see the procedure in Maintenance chapter).

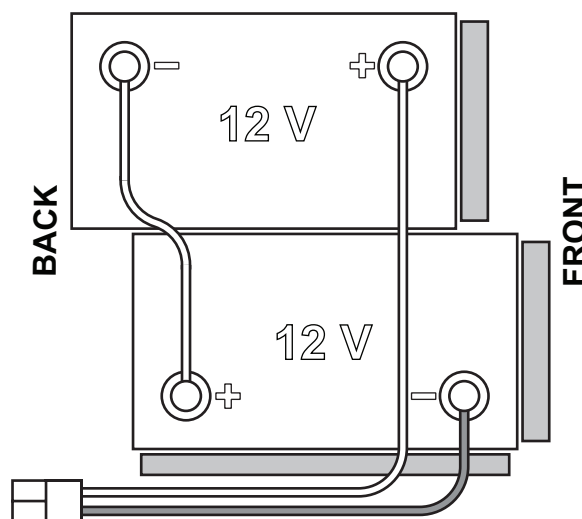


Figure 1

P100841

BEFORE MACHINE START-UP



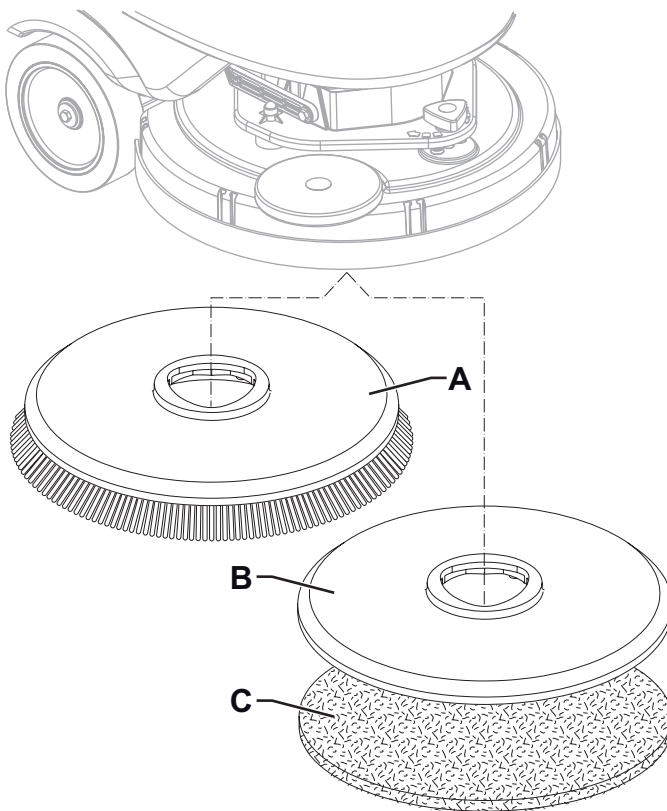
WARNING!

When starting the machine, or before operating the One Touch button (43), make sure that there is no foreign material between the deck and the tank assembly which could obstruct the deck movement. If the machine has been turned off without lifting the deck, the deck would lift automatically at next machine start-up.

Brush or pad-holder removal/installation

According to the kind of cleaning to be performed, the machine can be equipped either with the brush (A, Fig. 2) or the pad-holder (B) with pad (C) together with the appropriate deck.

1. Place the brush (A) or the pad-holder (B) under the brush deck (26).
2. Place the user key (51) in the key reader (41), then press the push-button (42) to start the machine.
3. Press the turtle push-button (45) to reduce the driving speed to idle.
4. Press the One-Touch button (43) to lower the deck onto the brush.
5. To engage the brush, press the paddle (2), then release it. If necessary, repeat the procedure until the brush is engaged.



CAUTION!

Turn the machine speed to idle and slightly press the paddle, otherwise the machine starts to move.

6. To remove the brush, the deck must be lifted by pressing the One-Touch push-button (43), then press the release push-button (44a).



When the display shows the  icon (50), wait until the brush is lowered onto the floor.

Figure 2

P100842

Available brushes and their relevant application guides (suggestions only)

Models	46 GRIT	80 GRIT	180 GRIT	240 GRIT	500 GRIT	PROLENE	PROLITE	UNION MIX
General cleaning:								
Concrete								
Terrazzo floor								
Ceramic tiles/quarystones								
Marble								
Vinyl tiles								
Rubber tiles								
Polishing:								
Rubber tiles								
Marble								
Vinyl tiles								

Brush or pad-holder removal/installation (REV system)

1. Make sure that the REV deck (37) is lifted.
2. Turn off the machine with the push-button (42) and remove the user key (51).
3. According to the kind of cleaning to be performed, install the pad (A, Fig. 3) or the brush (C, optional) and note the following:
 - Place the pad (A) under the deck and press it until it is fastened with the Velcro of the drive disc (B).
 - Place the brush (C, optional) under the deck, and then match the centering pins (D) to the respective holes of the drive disc (B), and then engage the brush with the three mounting screws (E).
4. To remove the pad or brush, proceed in the reverse order.

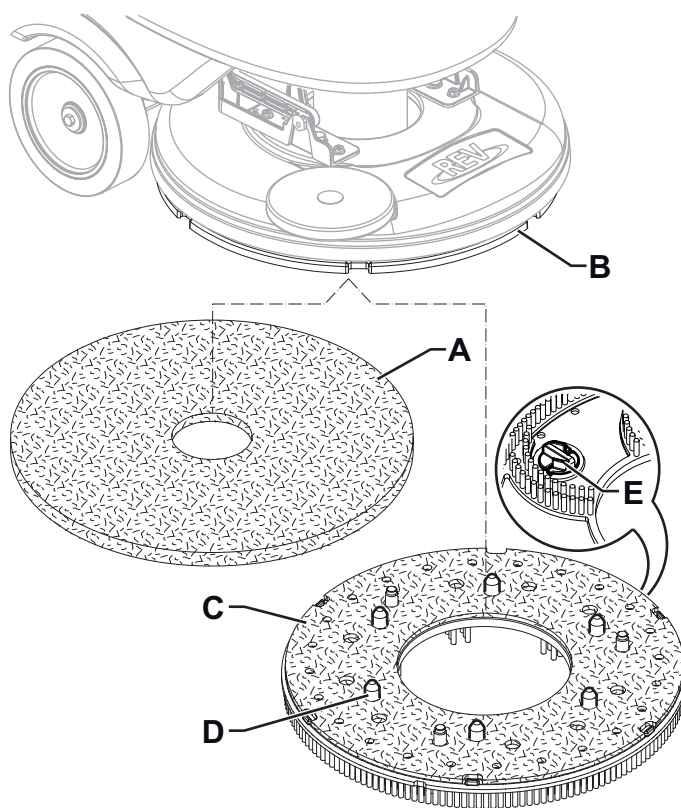


Figure 3

P100857

Squeegee installation

1. Install the squeegee (A, Fig. 4) and fasten it to the bracket (C) with the handwheels (B).
2. If necessary, adjust the squeegee with the knob (D) so that the rear blade (E) and front blade (F) touch the floor as shown in the figure.

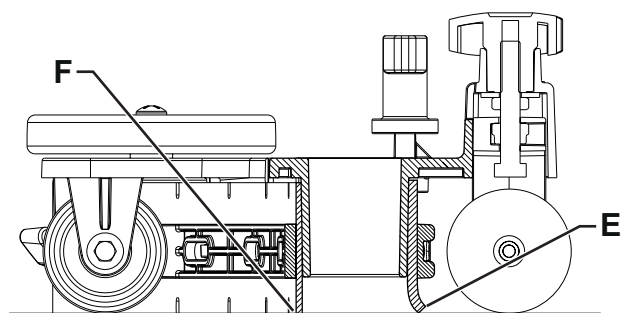
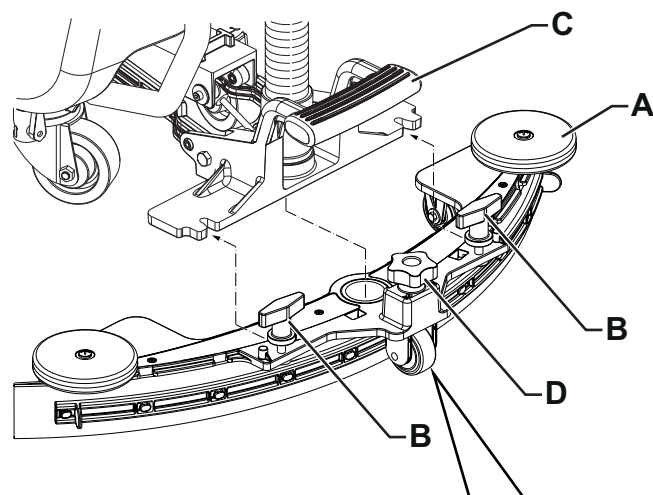


Figure 4

P100843

Solution tank filling



CAUTION!
Use only low-foam and non-flammable detergents, intended for automatic scrubber applications.



WARNING!
When using floor cleaning detergents, follow the instructions on the labels of the detergent bottles.
To handle floor cleaning detergents, wear suitable gloves and protections.



NOTE
If the machine is equipped with EcoFlex system pour clean water in the tank, otherwise pour solution.

1. Ensure that the solution valve (18) is open (18-A).
2. To fill the solution tank (21) use the front filler (22), or open the cap (24) to access the side filler.

(For machines without EcoFlex system)

3. Fill the tank (21) with a solution suitable for the work to be performed.
Do not fill the tank completely, leave a few inches from the edge. Use the level hose (13) as reference.
Always follow the dilution instructions on the label of the chemical product used to prepare the solution.
The solution temperature must not exceed 40 °C.

(For machines with EcoFlex system)

4. Fill the tank (21) with clean water. Use the water removable filler hose (23).
Do not fill the tank completely, leave a few inches from the edge. Use the level hose (13) as reference.
The water temperature must not exceed 40 °C.

Detergent tank filling (For machines with EcoFlex system)

5. Lift the cover (34) and check that the recovery tank (33) is empty; if not, empty it using the drain hose (12).
6. Close the cover (19).
7. Grasp the handle (16) and carefully lift the tank (33).
8. Fill the tank (25) with a detergent suitable for the work to be performed (highly concentrated detergent).
Do not fill the detergent tank completely, leave a few inches from the edge.

**NOTE**

To accelerate filling of the hoses and system operation (with a new system, if the system has been emptied for cleaning, etc.), it is a good idea to drain the EcoFlex system once or several times (see the procedure in the Maintenance chapter).

MACHINE START AND STOP**Starting the machine**

1. Prepare the machine as shown in the previous paragraph.
2. Place the user key (51) in the key reader (41), then press the push-button (42) to start the machine.
3. In the first 2 seconds after machine start-up, the display (50) indicates the machine working hours (50-A) and the type of batteries installed (50-B).

**NOTE**

Check the battery charge level.

When the display shows at least one segment of the battery symbol (50-C) which is on but not flashing, the machine is ready for use.

When the battery symbol (50-C) shows just one segment flashing, the batteries have to be charged (see the procedure in Maintenance chapter).

4. Drive the machine to the area it is required by starting it with your hands on the handlebar (1) and pushing the paddle (2) forward to move forward, and backwards to move in reverse. The speed can be adjusted by pressing the paddle (2) more or less. The maximum speed can be set with the push-buttons (45).

Stopping the machine

5. Stop the machine by releasing the paddle (2).
6. Turn off the machine by pressing the push-button (42) and remove the user key (51).

**NOTE**

The machine is running without the user key (51) in the key reader (41), it automatically switches off after 10 seconds of complete idle.

**NOTE**

If the machine is on but not working, it automatically turns off after 5 minutes.

7. Make sure that the machine cannot move independently.

**CAUTION!**

***In the event of an emergency, to stop all machine functions immediately, disconnect the battery connector (9).
Reset the machine functions by connecting again the connector.***

MACHINE OPERATION (SCRUBBING/DRYING)

1. Start the machine as shown in the previous paragraph.
2. Lower the squeegee (29) with the pedal (8).
3. Press the One-Touch push-button (43) to lower the brush deck and start scrubbing and drying.
4. Start cleaning by manoeuvring the machine and pressing the paddle (2).
If necessary, adjust the maximum speed with the push-buttons (45).
5. Adjust the detergent flow by pressing the push-button (48) as necessary, depending on the type of cleaning to be performed.



NOTE

For the first 3 flow levels (Fig. 5), the amount of solution dispensed is automatically adjusted according to the machine speed, in order to obtain a constant amount of solution per linear meter of cleaning. Level 4 (when enabled) supplies the maximum possible quantity of detergent solution, regardless of the machine speed (to enable or disable this feature, see the Supervisor key paragraph in Maintenance chapter). The level 0 closes the solution flow completely.

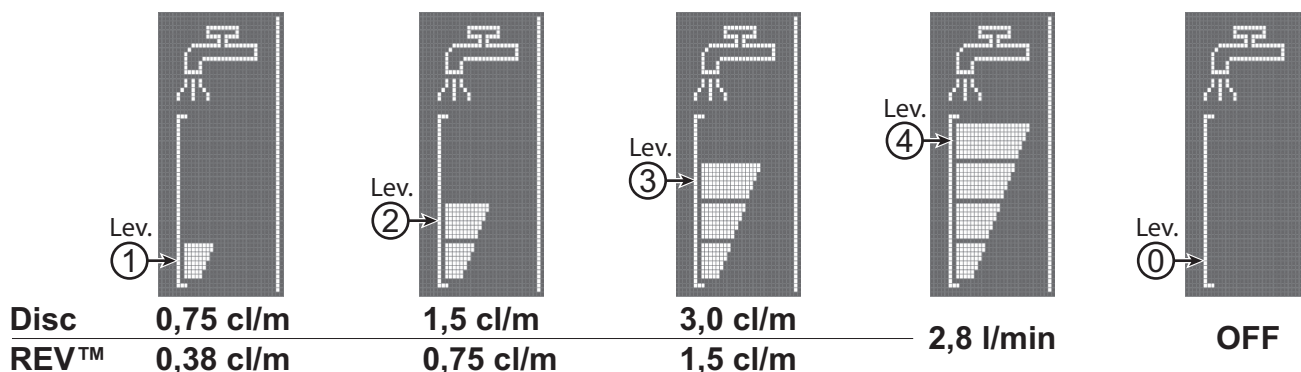


Figure 5

P100858

6. If necessary, to reduce the noise, turn on the vacuum system mute function by pressing the push-button (47).



NOTE

For correct scrubbing/drying of floors at the sides of the walls, Nilfisk suggests to go near the walls with the right side of the machine as shown in figure 6.

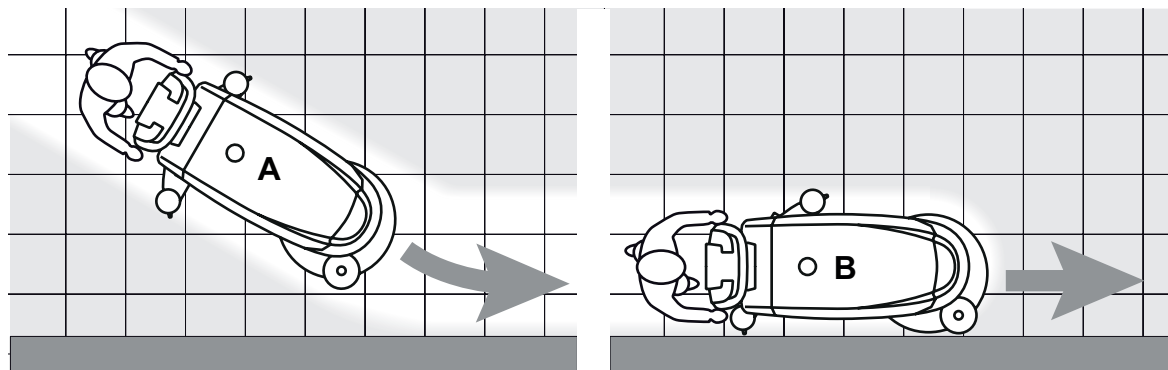


Figure 6

P100845



CAUTION!

To avoid any damage to the floor surface, turn off the brush when the machine is stationary, especially when the extra pressure function is on.

7. At the end of the work, press the One-Touch push-button (43) to lift the brush deck. After 10 seconds, the vacuum system turns off too.
8. Lift the squeegee (29) with the pedal (8).

Adjusting of detergent concentration in the washing water

(For machines with EcoFlex system)

The system for mixing the detergent in the washing water is automatically activated when the brush is running.

The percentage of detergent added to the washing water is set to level 1 (Fig. 7).

By pressing the push-button (49), it is possible to set the percentage level to 2, or reset it to level 0.

The set percentages are shown on the display (50-H).

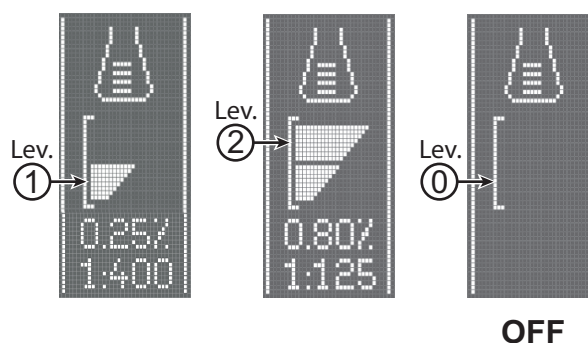


Figure 7

P100846

EcoFlex System

Press the EcoFlex push-button (46) when stronger washing power is needed temporarily.

With the EcoFlex system activated (LED flashing), increased solution flow, activation of the extra pressure of the brush and an increase in the solution detergent concentration (level 2 if the level was set to 1 - level 1 if the level was set to 0) is obtained.

Press the EcoFlex push-button (46) again, to restore the original settings (LED on).



NOTE

If the push-button (46) is not pressed again, the original settings are restored automatically after 60 seconds.



NOTE

All of the above solution flow and detergent concentration values are factory settings. To change these settings, see the Supervisor key paragraph in Maintenance chapter.

REV system (for REV version only)

Press the REV push-button (44b) when a specific washing mode is required.

With the REV system activated the drive speed is decreased, the brush extra pressure is activated, the detergent is stopped and the washing water quantity is reduced.

Working with brush extra pressure function turned on

If the floor proves to be particularly difficult to clean, it is possible to turn on the brush extra pressure function, according to the following procedure:

1. Press the One-Touch push-button (43) to lower the brush deck as shown in "Starting The Machine" paragraph.
2. Press and hold the One-Touch push-button (43) for more than 1 second. The extra pressure function activation is shown by

LED which turns from green to red, and by the icon  on the display (50).

3. To return to normal pressure, press and hold the One-Touch push-button (43) for more than 1 second.
4. To lift the brush deck without returning to the normal pressure, press the One-Touch push-button (43) and release it immediately.



CAUTION!

In case of brush motor overload, due to foreign bodies which prevent them from turning, or to excessively aggressive floors/brushes, the safety system stops the brush after about one minute of continuous overload. If the overload takes place when the extra pressure function is on, the system automatically turns the extra pressure function off.

If the overload persists, the brush stops.

To start scrubbing again after a brush stop due to overload, turn off and then on the machine with the push-button (42).

Battery discharge during operation

When there is only one segment turned on and flashing on the battery symbol (50-C), it is advisable to charge the batteries, because the residual autonomy will last for a few minutes (depending on battery characteristics and work to be performed). When the battery symbol (50-C) is flashing and no segment is turned on, the battery autonomy is over. After a few seconds, the brush is automatically turned off, while the vacuum system and the drive system stay on, to finish drying the floor and drive the machine to the appointed recharging area.

**CAUTION!**

Do not use the machine with discharged batteries, to avoid damaging the batteries and reducing the battery life.

TANK EMPTYING

An automatic shut-off float system (31) turns off the vacuum system when the recovery tank (33) is full.

The vacuum system deactivation is signalled by a sudden increase in the vacuum system motor noise, and the floor is not dried.

**CAUTION!**

If the vacuum system turns off accidentally (for example, when the float is activated because of a sudden machine movement), to resume the operation: turn off the vacuum system by pressing the push-button (47), then open the cover (19) and check that the float inside the grid (31) has gone down. Then close the cover (19) and turn on the vacuum system by pressing the push-button (47).

When the recovery tank (33) is full, empty it according to the following procedure.

Recovery tank emptying

1. Raise the brush deck by pressing the One-Touch push-button (43).
2. Lift the squeegee (29) with the pedal (8).
3. Drive the machine to the appointed disposal area.
4. Turn off the machine with the push-button (42) and remove the user key (51).
5. Empty the recovery tank (33) with the drain hose (12). Then, rinse the tank with clean water.

Solution tank emptying

6. Perform steps 1 to 4.
7. Empty the detergent solution tank (21) using the level hose (13). Then, rinse the tank with clean water.

AFTER USING THE MACHINE

After working, before leaving the machine:

1. Remove the brush as shown in the relevant paragraph.
2. Remove the user key (51).
3. Empty the tanks (21) and (33) as shown in the relevant paragraphs.
4. Perform the daily maintenance procedures (see the Maintenance chapter).
5. Store the machine in a clean and dry place, with the brush and the squeegee lifted or removed.

MACHINE LONG INACTIVITY

If the machine is not going to be used for more than 30 days, proceed as follows:

1. Perform the procedures shown in After using the machine paragraph.
2. For versions with EcoFlex system, empty the detergent tank (25) and clean the system with a draining cycle (see the procedure in Maintenance chapter).
3. Close the solution tank valve (18-B).
4. Disconnect the battery connector (9).

MAINTENANCE

The lifespan of the machine and its maximum operating safety are ensured by correct and regular maintenance. The following table provides the scheduled maintenance. The intervals shown may vary according to particular working conditions, which are to be defined by the person in charge of the maintenance.



WARNING!

The procedures must be performed with the machine off and the battery disconnected. Moreover, read carefully the instructions in the Safety chapter before performing any maintenance procedure.

All scheduled or extraordinary maintenance procedures must be performed by qualified personnel, or by an authorised Service Center.



CAUTION!



When the Service icon appears on the display (50), contact an authorised Nilfisk Service Centre for scheduled maintenance.

This Manual describes only the simplest and most common maintenance procedures. For other maintenance procedures shown in the Scheduled Maintenance Table, refer to the Service Manual that can be consulted at any Service Center.

SCHEDULED MAINTENANCE TABLE

Procedure	Daily, after using the machine	Weekly	Every six months	Yearly
Battery Charging				
Squeegee Cleaning				
Brush/pad cleaning				
Recovery tank and debris tray cleaning, and cover gasket check				
EcoFlex system cleaning and draining				
Squeegee Blade Check and Replacement				
Solution Filter Cleaning				
Battery (WET) fluid level check				
Squeegee blade replacement				
Drive and brush motor vent check and cleaning			(1)	
Brush motor carbon brush check or replacement				(1)
Drive system motor carbon brush check or replacement				(1)
Brush deck vibration-damper replacement (only for REV version)				(1)

(1) This maintenance procedure must be performed by an authorised Nilfisk Service Center.

BATTERY CHARGING



NOTE

Charge the batteries when there is only one flashing segment displayed in the battery symbol (50-C), or at the end of the shift.

Keeping the batteries charged make their life last longer.



CAUTION!

When the batteries are discharged, charge them as soon as possible, as that condition makes their life shorter. Check for battery charge at least once a week.



CAUTION!

If the machine is not equipped with on-board battery charger, choose an external battery charger suitable for the type of batteries installed.



WARNING!

When using lead (WET) batteries, battery charging produces highly explosive hydrogen gas. Charge the batteries in well-ventilated areas and away from naked flames.

Do not smoke while charging the batteries.

Keep the recovery tank lifted until the battery charging cycle is over.



WARNING!

Pay careful attention when charging lead batteries (WET) as there may be battery fluid leakages. The battery fluid is corrosive. If it comes in contact with skin or eyes, rinse thoroughly with water and consult a physician.

1. Drive the machine to the appointed recharging area.
2. Ensure that the machine is off and the user key (51) has been removed.
3. Lift the cover (34) and check that the recovery tank (33) is empty; if not, empty it using the drain hose (12).
4. Close the cover (19).
5. Grasp the handle (16) and carefully lift the tank (33).
6. (For WET CELL batteries only) Check the level of electrolyte inside the batteries. If necessary, unscrew the caps and top up. When the correct level is restored, close the caps and clean the tops of the batteries.

Charging the Batteries with an External Battery Charger

1. Check that the external battery charger is suitable by referring to the relevant Manual. The battery charger voltage rating must be 24 V.
2. Disconnect the battery connector (9), which is fitted with a handle, and connect it to the external battery charger.
3. Connect the battery charger to the electrical mains.
4. After charging, disconnect the battery charger from the electrical mains and from the battery connector (9).
5. Connect the battery connector (9) to the machine.
6. Carefully lower the recovery tank (33).



WARNING!

Never connect the external battery charger to the opposing part of the connector fixed to the machine. The electronic system could be irreparably damaged.

Battery charging with battery charger installed on the machine

1. Plug the battery charger (6) into the mains electricity supply (the mains voltage and frequency must be compatible with the battery charger values shown on the machine serial number plate).



NOTE

When the battery charger is connected to the electrical mains, all machine functions are automatically cut off.

When the first or second segment from the left in the battery symbol (50-L) is flashing, this means that the battery charger is charging the batteries.

When the third segment from the left in the battery symbol (50-L) is flashing, this means that the battery charger is finishing the battery charging cycle.

2. When all segments of the battery symbol (50-L) are steadily lit, the battery charging cycle is complete.
3. Disconnect the battery charger plug (6) from the mains and place it in its holder (7).
4. Carefully lower the recovery tank (33).
5. Now the machine is ready to be used.



NOTE

For further information about the operation of the battery charger (5), see the relevant Manual.

SUPERVISOR KEY (yellow)

The supervisor key (yellow) allows to check some additional information on some machine operating parameters and to adjust some settings according to specific requirements.

Main Screen (E, Fig. 8)

1. Put the supervisor key (yellow) in the key reader (41) instead of the user key (blue), then press the push-button (42) to show the main screen on the display.
2. Press push-button (A) to change the machine settings (see Machine Settings Screen section).
3. Press push-button (B) to check for any stored machine alarms (see Alarms Log Screen section).
4. Press push-button (C) to check the machine's hours of operation (see Operating Time Counter Screen section).
5. Press the push-button (D) to enter the user key management menu (see the User Key Management Screen paragraph).

Machine Settings Screen (F, Fig. 8)

This function allows you to customise some parameters described in the following table of modifiable parameters.

1. Press push-button (C) to increase the value of the current parameter.
Press push-button (D) to decrease the value of the current parameter.
2. Press push-button (A) to move to the next parameter.
3. Press push-button (B) to return to the main screen.

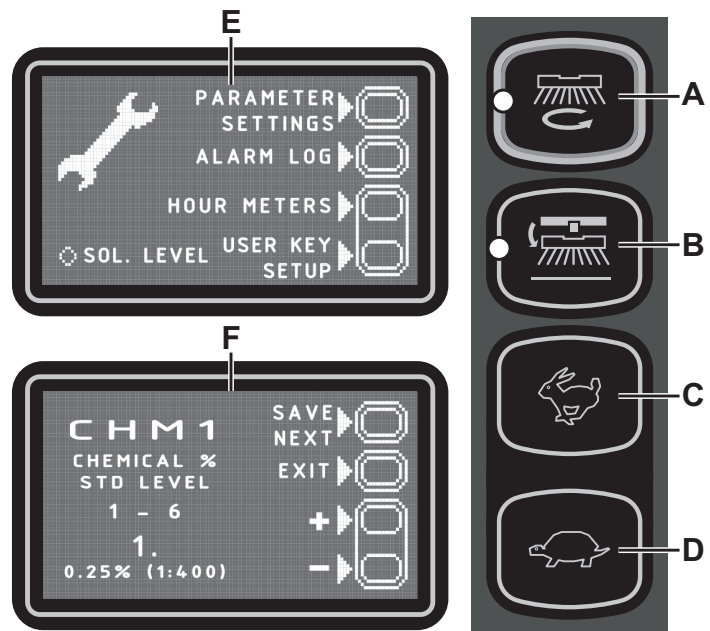


Figure 8

P100847

TABLE OF MODIFIABLE PARAMETERS		Values			
Code	Description	Minimum	Factory Setting	Maximum	
CHM1	Detergent concentration level 1	0.25 % (1:400)	0.25 % (1:400)	3 % (1:33)	
CHM2	Detergent concentration level 2	0.25 % (1:400)	0.80 % (1:125)	3 % (1:33)	
P1/P3	Level 1 solution flow rate in relation to level 3 (flow rate as function of speed)	0 %	25 %	100 %	
P2/P3	Level 2 solution flow rate in relation to level 3 (flow rate as function of speed)	0 %	50 %	100 %	
P3	Level 3 solution flow rate (flow rate as function of speed)	DISC	1.0 cl/m	3.0 cl/m	5.0 cl/m
		REV	1.0 cl/m	1.5 cl/m	5.0 cl/m
P4	Enablement of level 4 (2.8 l/min regardless of speed)	OFF	OFF	ON	
SPT	EcoFlex function timer	0 (disabled)	60 sec.	300 sec.	
XPRES	Brush deck extra pressure enabling	OFF	ON	ON	
FVMIN	Minimum forward speed	0 %	25 %	100 %	
FVMAX	Maximum forward speed	10 %	100 %	100 %	
RVMAX	Maximum reverse speed	10 %	30 %	50 %	
BAT (**)	Installed battery type (see table)	0	1	5	
TOFF	Automatic shut-off time	0 (disabled)	300 sec.	600 sec.	
BRGH	Display contrast	5	20	50	
VRID	Vacuum power in silent mode	1	1	5	
RPM (*)	Reduced brush rpm activation threshold	5	9	20	
RESET	Restore factory settings for all parameters	OFF	OFF	ON	

(*) Increase the value of this parameter to reduce the brush motor speed in a wider range of applications and vice versa.

(**) As described in the Use/Operation chapter, set the machine and the on-board battery charger (where fitted) on the basis of the type of battery to be installed by modifying the BAT parameter as shown in the following table:

Installed battery type		Value
WET	Wet cell batteries	0
GEL / AGM	Generic GEL or AGM batteries	1
GEL DISCOVER	DISCOVER® brand GEL batteries	2
GEL OPTIMA	OPTIMA™ brand GEL batteries	3
GEL EXIDE	EXIDE®/SONNENSHINE brand GEL batteries	4
GEL FULLRIVER	FULLRIVER® brand GEL batteries	5

Alarms log screen (G, Fig. 9)

This function allows you to check for any stored alarms on the machine. Use this function only with support from a Nilfisk Service Centre to solve any operating problems. To return to the main screen (E, Fig. 8), press push-button (A) repeatedly.

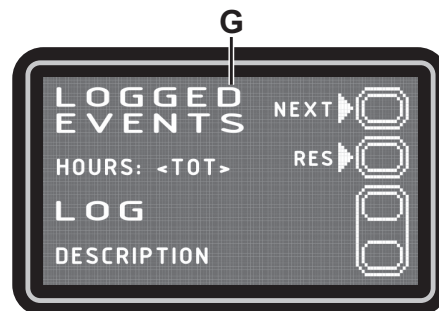


Figure 9

P100848

Operating Time Counter Screen (H, Fig. 10)

This function allows you to check the total accumulated hours of work for each machine subsystem:

- TOTAL counter (machine running time)
- DRIVE counter (drive system usage time)
- BRUSH counter (brush rotation system usage time)
- VACUUM counter (vacuum system usage time)

To return to the main screen (E, Fig. 8), press push-button (A).

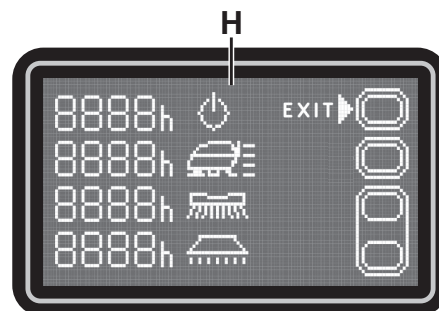


Figure 10

P100849

User Key Management Screen (I, Fig. 11)

This feature allows to determine whether the machine can be used with any user key (factory setting) or only with one or more specific user keys.

- Identification of a specific user key to be used for the machine:
 1. Remove the Supervisor key (if any) from the key reader.
 2. Place the user key in the key reader and press the push-button (A).
- Removal of a specific user key from the list of keys to be used for the machine:
 1. Remove the Supervisor key (if any) from the key reader.
 2. Place the user key in the key reader and press the push-button (B).
- Return to factory setting (any user key enabled for the machine):
 1. Remove the Supervisor key (if any) from the key reader.
 2. Press the push-button (B).
 3. Confirm the operation by pressing the push-button (A).

To return to the user mode screen, press push-button (C). To return to the main screen (E, Fig. 7), press push-button (A).

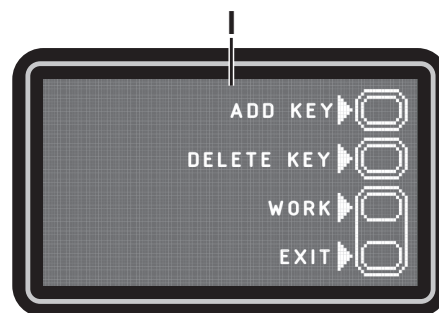


Figure 11

P100849

SQUEEGEE CLEANING



NOTE

The squeegee must be clean and its blades must be in good conditions in order to get a good drying.



CAUTION!

It is advisable to wear protective gloves when cleaning the squeegee because there may be sharp debris.

1. Drive the machine on a level floor.
2. Ensure that the machine is off and the user key (51) has been removed.
3. Loosen the handwheels (14) and remove the squeegee (29).
4. Wash and clean the squeegee. In particular, clean the compartments (A, Fig. 12) and the vacuum hole (B). Check the condition of the front (C) and rear (D) blades, ensuring there are no cuts and tears; if necessary, replace them as shown below.
5. Install the squeegee in the reverse order of removal.

SQUEEGEE BLADE CHECK AND REPLACEMENT

1. Clean the squeegee as shown in the previous paragraph.
2. Check the condition of the front (C, Fig. 12) and rear (D) blades, ensuring there are no cuts and tears; if necessary, replace them as shown below. Check that the front corner (E) of the rear blade is not worn; otherwise, turn the blade to replace the worn corner with one of the three remaining intact corners. If the other corners are worn too, replace the blade according to the following procedure:
 - Using the tab (F), release and remove the elastic strap (G) from the fasteners (H), then turn or replace the rear blade (D).
 - Install the blade in the reverse order of removal. Fasten the elastic strap (G) to the fasteners (H) starting from one side. To make the fastening procedure easier, secure the fasteners one at a time, by locking the strap before the fastener with one hand (M) and pulling it with the other hand (N).
 - Unscrew the handwheels (I) and remove the strap (J), then turn or replace the front blade (C).
 - Install the blade in the reverse order of removal.
3. Install the squeegee (29) and screw down the handwheels (14).
4. Lower the squeegee to the floor to check the height of the blades, proceeding as follows:
 - Check that the lip (K) of the front blade (C) and the lip (L) of the rear blade (D) are resting as shown in the figure.
 - Use the knob (15) to make adjustments.

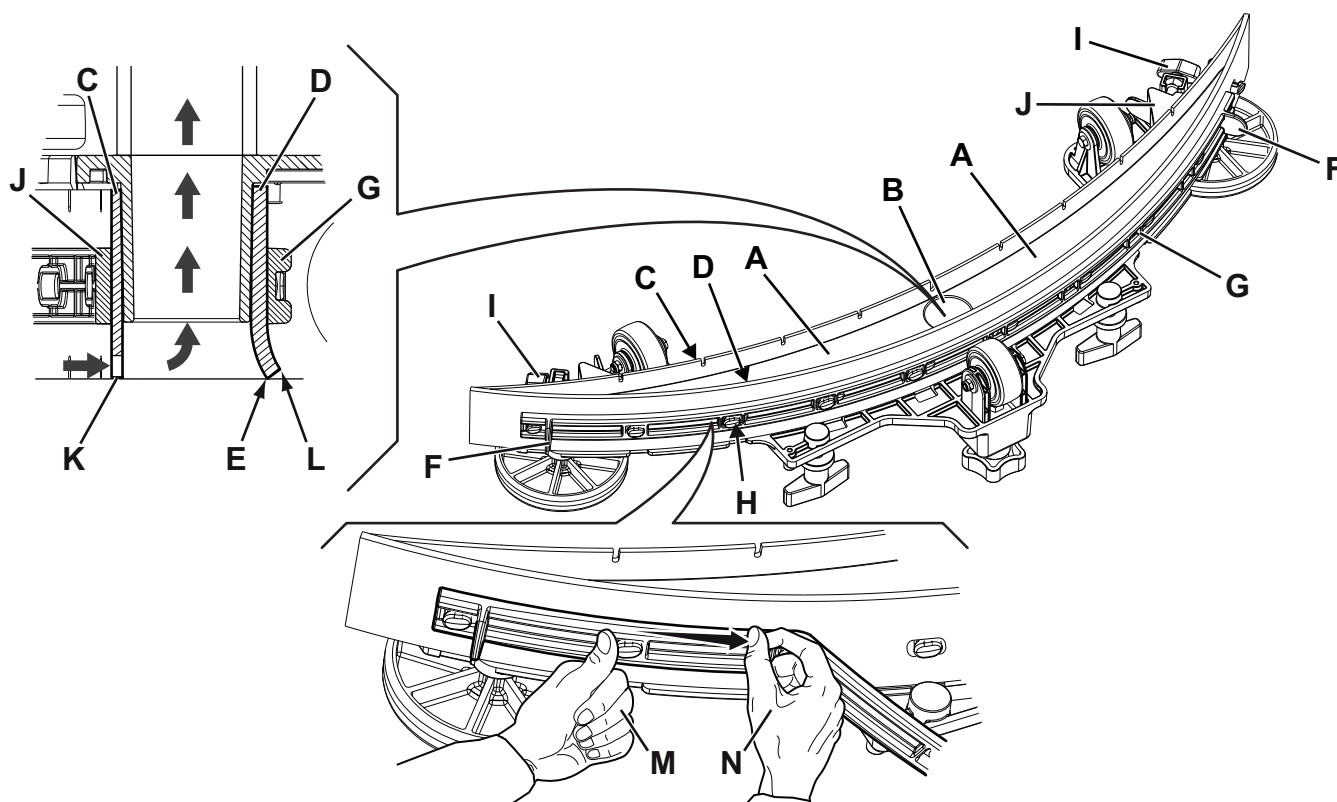


Figure 12

P100850

CLEANING THE BRUSH



CAUTION!

It is advisable to wear protective gloves when cleaning the brush because there may be sharp debris.

1. Remove the brush as shown in Use/Operation chapter.
2. Clean the brush with water and detergent.
3. Check the condition of the brush bristles, ensuring they are not excessively worn; if necessary, replace the brush.

RECOVERY TANK CLEANING

1. Drive the machine to the appointed disposal area.
2. Ensure that the machine is off and the user key (51) has been removed.
3. Raise the cover (34).
4. Wash the inside of the tank (33) and the cover with clean water.
5. Drain the water in the tank through the hose (12).
6. Clean the vacuum grid (31), release the fasteners (A, Fig. 13), open the grid (B) and recover the float (C) then clean it carefully and reinstall it.
7. Remove the debris collection tank (D) and open its cover, then clean it carefully and reinstall it on the vacuum hose.
8. Check the condition of the tank cover gasket (E).



NOTE

The gasket (E) allows the creation of a vacuum in the tank, which is necessary to suck up the recovery water.

If necessary, replace the gasket (E) by removing it from its housing (F). When fitting the new gasket, position the joint (G) in the lower area, as shown in the figure.

9. Check that the seating surface (H) of the gasket (E) is in good condition, clean and suitable to form a seal with the gasket itself.
10. Close the cover (19).

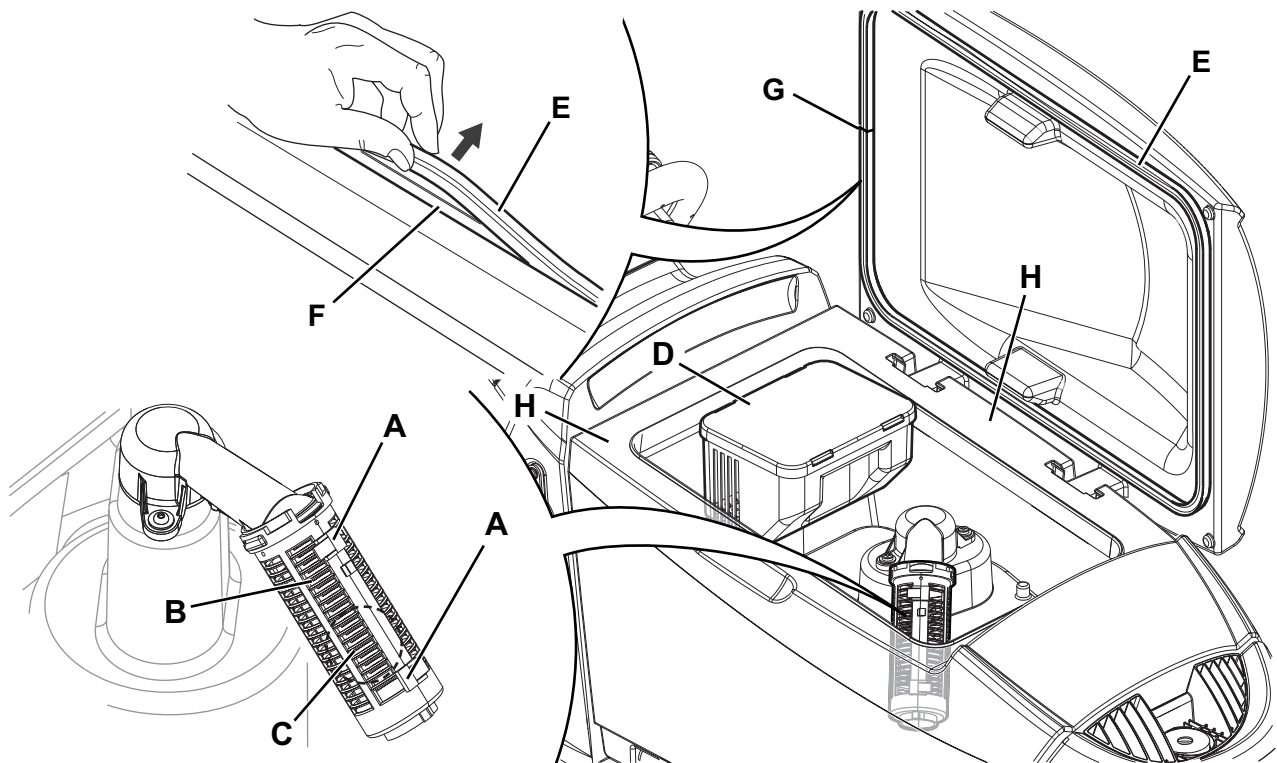


Figure 13

P100851

SOLUTION FILTER CLEANING

1. Drive the machine on a level floor.
2. Ensure that the machine is off and the user key (51) has been removed.
3. Close the detergent solution tank valve (A, Fig. 14). The valve is closed when it is in position (B) and it is open when it is in position (C).
4. Remove the transparent cover (D) and the gasket (E), then remove the filter strainer (F). Wash and rinse them, then refit them carefully onto the filter support (G).
5. Open the valve (A).

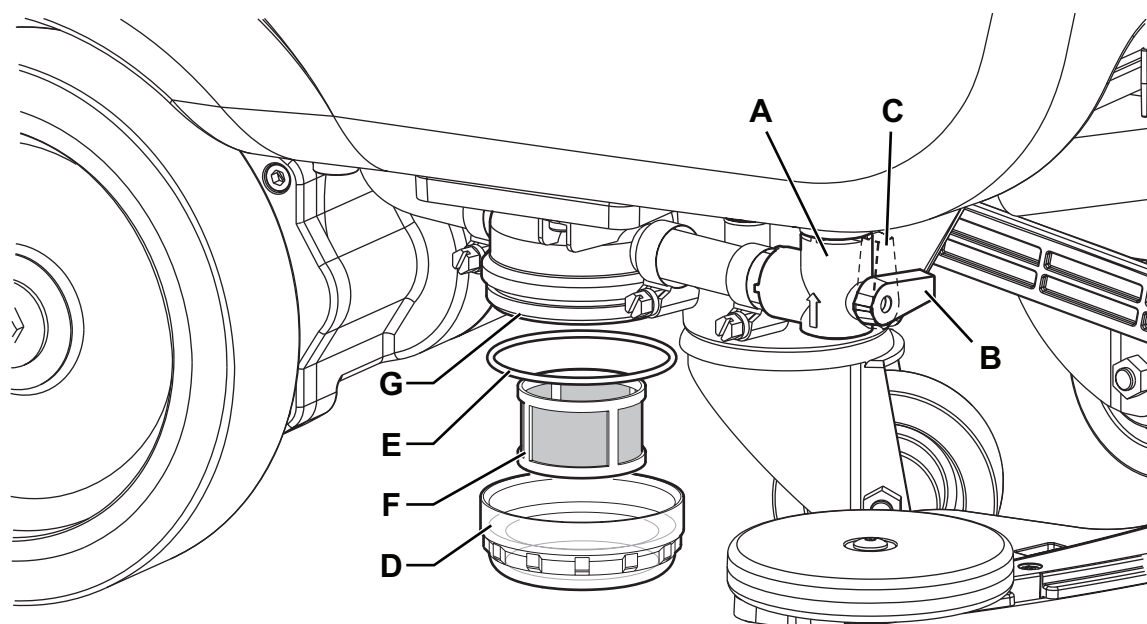


Figure 14

P100852

MACHINE TRACKING ADJUSTMENT

The machine tracking (straight movement) may vary according to the type of floor to be cleaned and depending on whether the brush or the pad is used.

If it is difficult to keep the machine moving straight as it tends to pull to the left or to the right with the brush deck lowered and during cleaning, adjust the handwheel (35) by turning it clockwise or counter-clockwise to correct this pull and obtain a generally neutral straight-ahead movement.

DETERGENT TANK CLEANING

(For machines with EcoFlex system)

Clean the detergent tank (25) as follows.

1. Drive the machine to the appointed disposal area.
2. Ensure that the machine is off and the user key (51) has been removed.
3. Lift the cover (34) and check that the recovery tank (33) is empty; if not, empty it using the drain hose (12).
4. Close the cover (19).
5. Grasp the handle (16) and carefully lift the tank (33).
6. Unscrew the cap (A, Fig. 15) from the detergent tank (B).
7. Remove the tank.
8. Rinse and wash out the tank with clean water in the appointed disposal area.
9. Replace the detergent tank (B) as shown in the figure, then refit the plug (A).
10. When the detergent tank has been drained, it may be necessary to drain the EcoFlex system too (see procedure in following section).

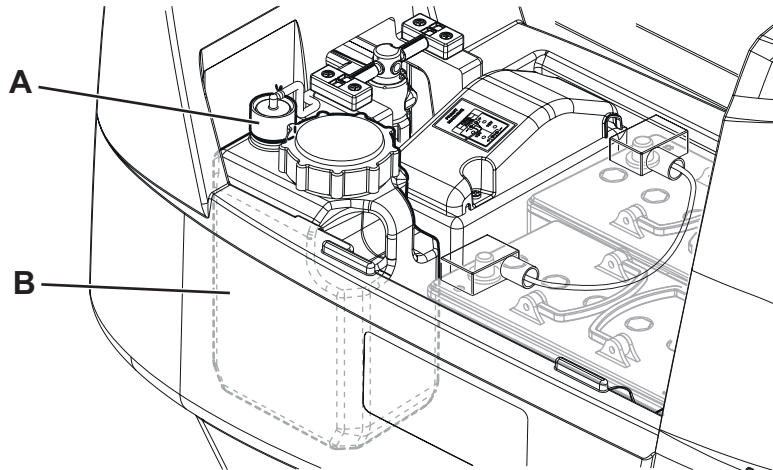


Figure 15

P100853

DRAINING THE ECOFLEX SYSTEM

(For machines with EcoFlex system)

Clean the detergent tank as shown in the previous section.

To remove residual detergent from the detergent hoses and pump, proceed as follows.

1. Place the user key (51) in the key reader (41), then press the push-button (42) to start the machine.
2. Check that the detergent quantity indicator (50-G) on the display has at least one segment lit.
3. Press and hold buttons (48) and (49) at the same time until screen (50-M) appears on the display (after approximately 5 seconds).
4. Release buttons (48) and (49) and wait for the countdown timer on the display to finish and the vacuum system to be activated.
5. Collect the detergent remained on the floor.
6. Turn off the machine with the push-button (42) and remove the user key (51).
7. Raise the tank (33), then check that the detergent tank hose (25) is empty; if not, perform steps 3 to 7 again.



NOTE

The draining cycle lasts about 30 seconds, then the vacuum function automatically turns on, which allows to remove the detergent remained.

The draining cycle can also be performed with the detergent tank (25) full of water, thus cleaning the system thoroughly. It is advisable to perform this type of draining to clean the EcoFlex system from dirt and deposits if the machine has not been used/cleaned for a long time.

The draining cycle can also be performed to quickly fill the detergent supply hose when the tank (25) is full but the system is still empty.

If necessary, the draining cycle can be performed several times in succession.

FUSE CHECK/REPLACEMENT



NOTE

All machine electrical circuits are protected by auto-resettable electronic devices. The safety fuses activates only in case of serious damage.

It is recommended to have the fuses replaced by qualified personnel only.

Refer to the Service Manual available at any Nilfisk Retailer.

TROUBLESHOOTING

TROUBLE	POSSIBLE CAUSE	REMEDY
The motors are not operating; the display (50) and button LEDs do not turn on.	The battery connector is disconnected.	Connect.
	The batteries are completely discharged.	Charge the batteries.
The machine does not move and the display (50) shows the alarm: WARNING ALARM T3	Machine turned on with paddle pressed.	Release the paddle. If the problem persists, contact an authorised Service Center.
At machine start-up, the button (43) LED flashes and the brushes do not work.	Machine switched off without first raising the brush deck.	Wait for the deck to raise before turning the brushes on again by pressing the switch.
The brush does not operate; the battery symbol (50-C) border flashes and the display shows the alarm message: WARNING ALARM G4	The batteries are discharged.	Charge the batteries. If the problem persists, replace the batteries.
When working, the display shows the alarm message: WARNING ALARM F2	Brush motor overload.	Use a different/less aggressive brush and/or avoid working with extra pressure turned on.
	There are foreign materials (tangled threads, etc.) preventing the brush from rotating.	Clean the brush hub.
The display (50) shows the alarm message: WARNING ALARM T2	Drive motor overload.	Turn off the machine and then turn it on again. Avoid using the machine on slopes greater than those indicated or going over excessively tall obstacles.
While recharging the batteries with the on-board battery charger, the display (50) shows the alarm message: WARNING ALARM C4 or HH	Battery charger not able to correctly recharge the batteries within the maximum time.	Run the battery charging cycle again. If the problem persists, replace the batteries.
The display (50) shows an alarm message of the following type: WARNING ALARM XX Where "XX" is a code other than those listed above.	The machine electronic control system is in alarm condition.	Turn off the machine and then turn it on again. If the problem persists, contact an authorised Service Center.
The display (50) shows the alarm message: INVALID SMART KEY	The user key is not enabled.	Add the specific user key to the list of enabled user keys.
The dirty water vacuuming is insufficient.	The recovery tank is full.	Empty the tank.
	The vacuum grid is clogged or the float is stuck closed.	Clean the vacuum grid.
	Debris collection filter container clogged.	Clean.
	The hose is disconnected from the squeegee.	Connect.
	The squeegee is dirty or the squeegee blades are worn or damaged.	Clean the squeegee or overturn/replace the blades.
	The tank cover is not properly closed, or the gasket is damaged.	Correctly close the cover or clean/replace the gasket.
The solution flow is insufficient.	Empty detergent solution tank.	Refill.
	The solution filter is dirty.	Clean the filter.
	The EcoFlex system tank (optional) is dirty/encrusted.	Clean with the drain cycle.
The squeegee leaves marks on the floor.	There is debris under the squeegee blades.	Remove the debris.
	The squeegee blades are worn, chipped or torn.	Overturn or replace the blades.
	The squeegee has not been balanced with the handwheel.	Adjust the squeegee.



NOTE

If the machine has been purchased with an on-board battery charger, the machine cannot operate if this device is not on board. In case of battery charger malfunction, contact an authorised Service Center.

For any further information, contact Nilfisk Service Centres.

SCRAPPING

Have the machine scrapped by a qualified scrapper.

Before scrapping the machine, remove and separate the following materials, which must be disposed of properly according to the Law in force:

- Batteries
- Brushes
- Plastic hoses and components
- Electrical and electronic components (*)

(*) Refer to the nearest Nilfisk Center especially when scrapping electrical and electronic components.

Machine material composition and recyclability

Type	Recyclable percentage	SC500 weight percentage
Aluminium	100 %	7 %
Electric motors - various	29 %	29 %
Ferrous materials	100 %	2 %
Wiring harness	80 %	2 %
Liquids	100 %	0 %
Plastic - non-recyclable material	0 %	2 %
Plastic - recyclable material	100 %	7 %
Polyethylene	92 %	48 %
Rubber	20 %	2 %

