

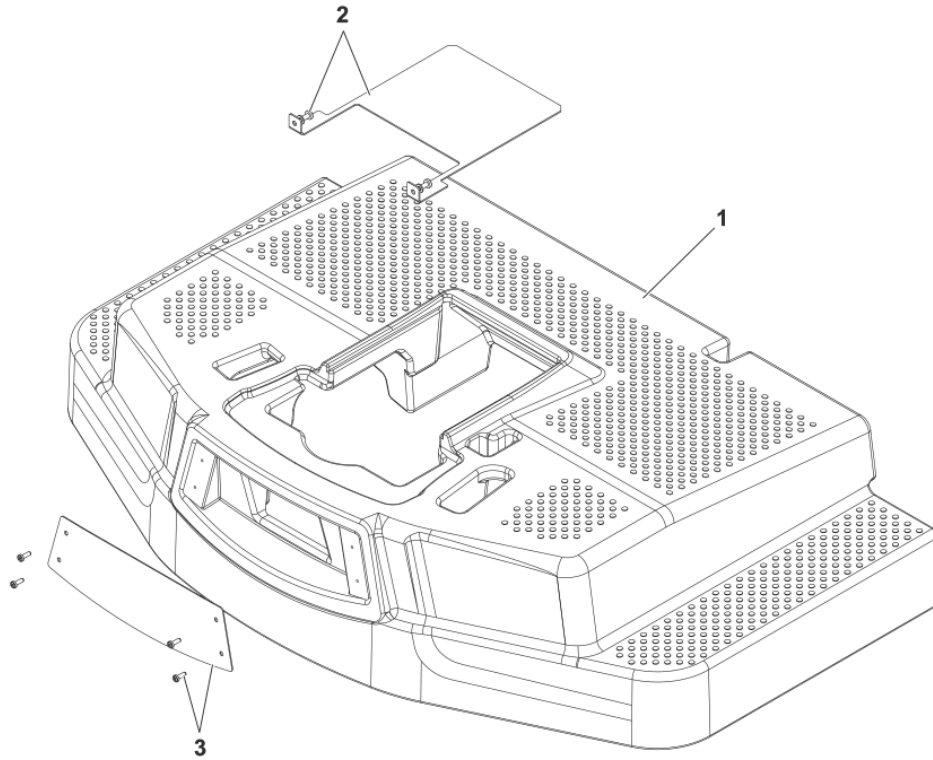
PARTS LIST



2016.06.13

TABLE OF CONTENTS

PL FOOTBOARD ASSY.....	1
PL SUPPORT SEAT ASSY.....	3
PL PLATE ASSY.....	5
PL COVERS ASSY.....	7
PL HATCHES ASSY.....	9
PL COLUMN DASHBOARD ASSY.....	11
PL STEERING MOTORWHEEL ASSY.....	13
PL MOTORWHEEL ASSY.....	15
PL ACCELERATOR PEDAL ASSY.....	17
PL BRAKE PEDAL ASSY.....	19
PL REAR WHEELS ASSY.....	21
PL ELECTRICAL COMPONENTS ASSY.....	23
PL RIGHT BROOM ASSY.....	25
PL LEFT BROOM ASSY.....	27
PL MAIN BROOM ASSY.....	29
PL MAIN BROOM ADJUSTMENT.....	31
PL LEFT ARM MAIN BROOM ASSY.....	33
PL SKIRTS ASSY.....	35
PL FRONT SKIRT ASSY.....	37
PL LIFTING HOPPER ASSY.....	39
PL LIFTING HOPPER ASSY 2.....	41
PL CYLINDERS ASSY.....	43
PL HYDRAULIC ASSY.....	45
PL FILTER SUPPORT ASSY.....	47
PL FAN SUPPORT ASSY.....	49
PL SHAKER FILTER ASSY.....	51
PL VACUUM FAN ASSY.....	53
PL ELECTRIC SYSTEM.....	55
PL ACCESSORIES - FILTER POCKET.....	57
PL ACCESSORIES - GUARD SIDE BROOM.....	59
PL ACCESSORIES - DUSTGUARD.....	61
PL ACCESSORIES - GUARD OVERHEAD - CANOPY FOR OHG.....	63
PL ACCESSORIES - CHARGER BATT. ONBOARD - LIGHT FRONT - USB PORT.....	65
PL WIRING DIAGRAM BATTERY.....	67
PL RECOMMENDED SW5500 B.....	69



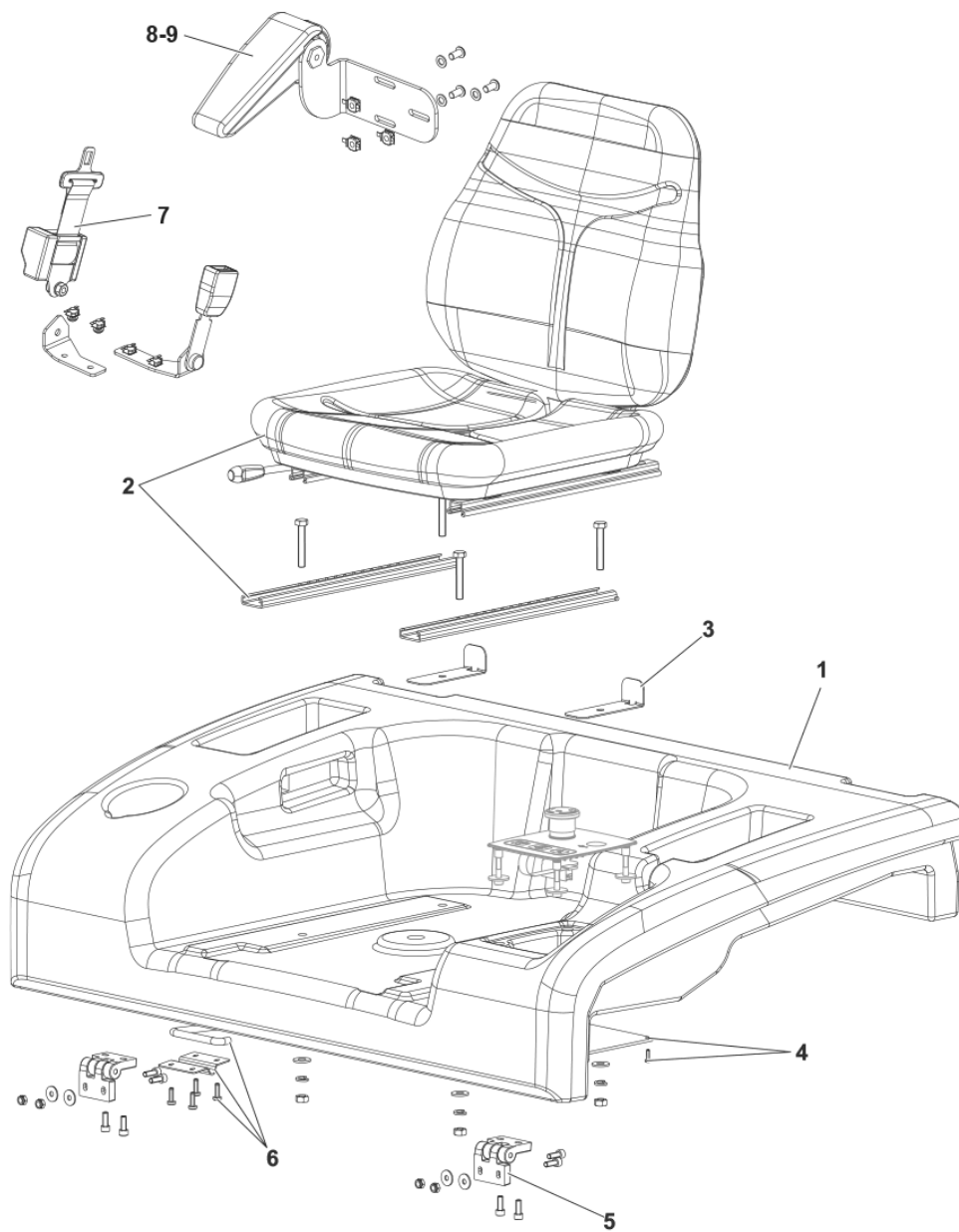
PL FOOTBOARD ASSY

SW5500 B NIL

2016.03.01

2016.03.02

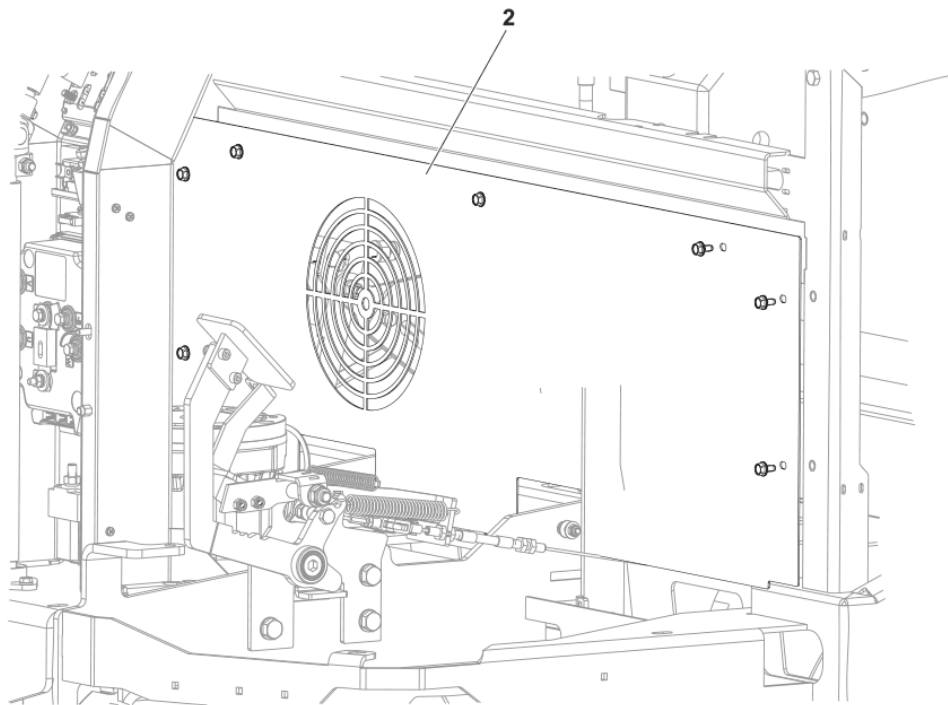
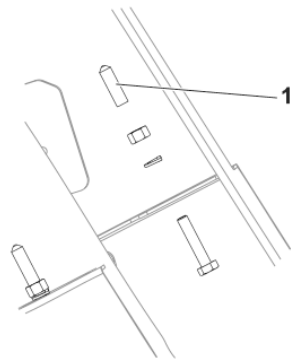
No.	Part No.	Qty.	Description	Part Note
1	1466852000	1	FOOTBOARD PLASTIC BLACK KIT	
2	1466847000	1	PLATE MET. F FOOTBOARD INSPECTION KIT	
3	1466848000	1	PLATE MET. BLACK FRONT F FOOTBOARD KIT	



No.	Part No.	Qty.	Description	Part Note
1	1466837000	1	SUPPORT PLASTIC GREY F SEAT PKD	
2	1467028000	1	SEAT PKD	
3	1466937000	2	BRACKET MET. BLACK F SEAT BLOCK PKD	
2	1466887000	1	SEAT SUSPENSION KIT	[1]
3	1467078000	2	BRACKET BLACK SUSPENSION SEAT BLOCK PKD	[2]
4	1466839000	1	COVER PLASTIC F SAFETY SWITCH KIT	
5	9098329000	1	HINGES KIT	
6	1465042000	1	SUPPORT F SAFETY BAR KIT	
7	1464954000	1	BELTS SAFETY KIT	[3]
8	1464960000	1	ARMREST LT SEAT KIT	[4]
9	33019556	1	ARMREST RT SEAT KIT	[5]

Part Notes:

- [1] - OPTIONAL - INS. INSTR. 1466897000
- [2] - FOR SEAT SUSPENSION - REF. 1466887000
- [3] - OPTIONAL - INST. INSTR. 1465247000
- [4] - OPTIONAL - INST. INSTR. 1465249000
- [5] - OPTIONAL



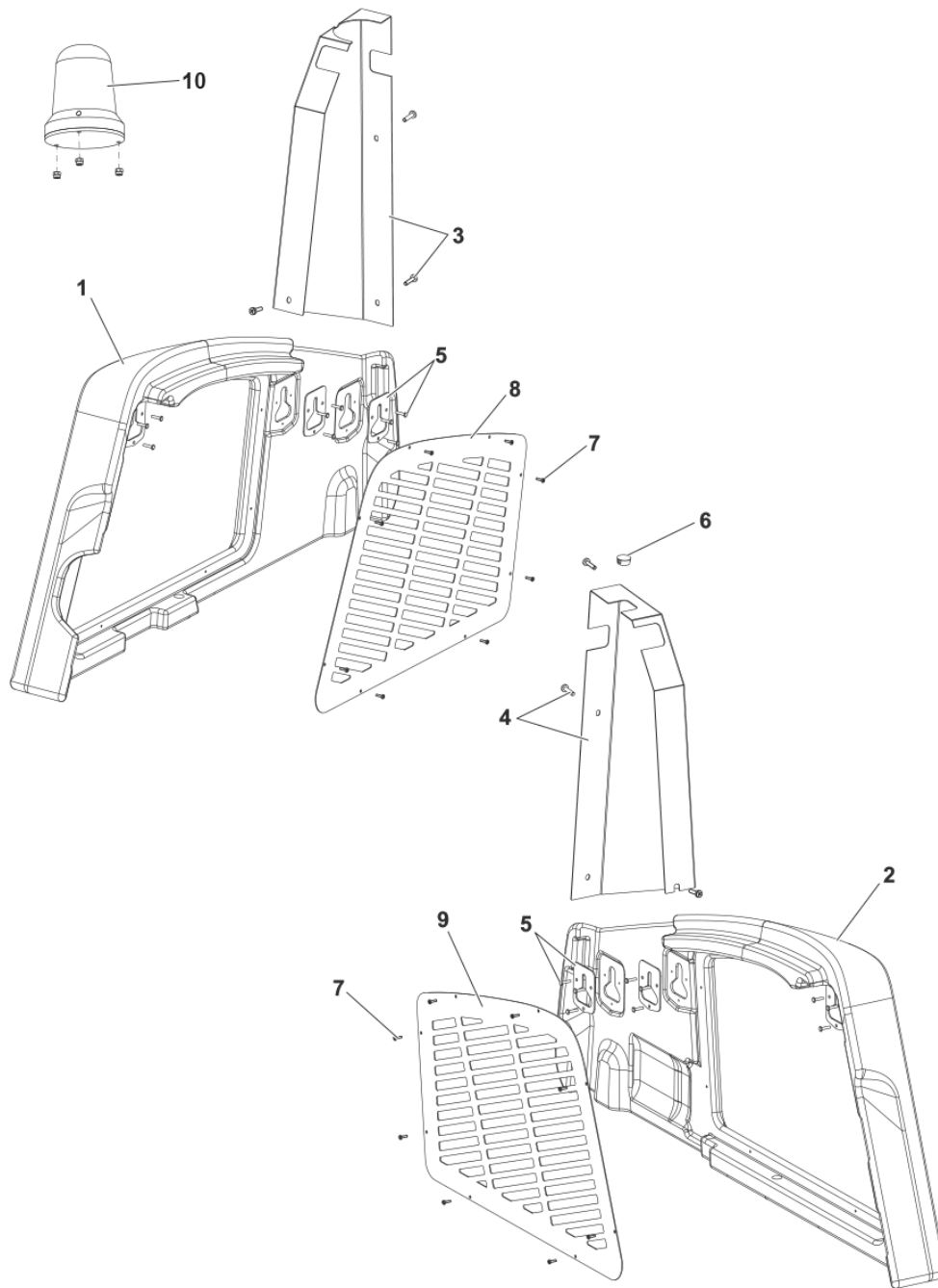
PL PLATE ASSY

SW5500 B NIL

2016.03.01

2016.03.02

No.	Part No.	Qty.	Description	Part Note
1	1467013000	2	CAP VINYL 3 PCS SET	
2	1466864000	1	PANEL METAL FRONT F CHASSIS BLACK KIT	



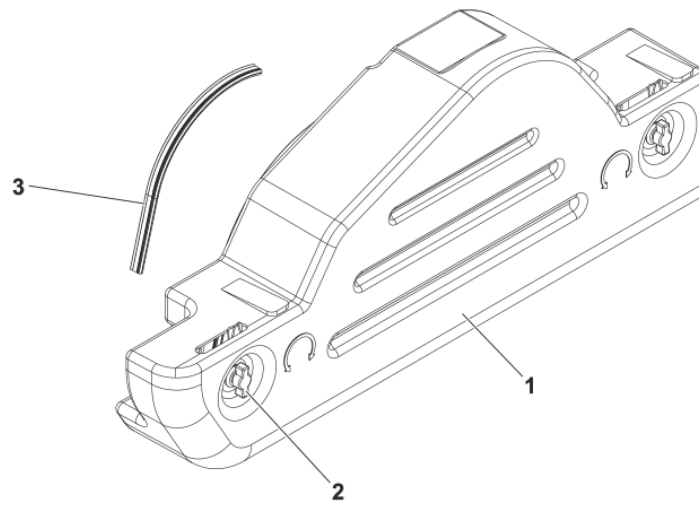
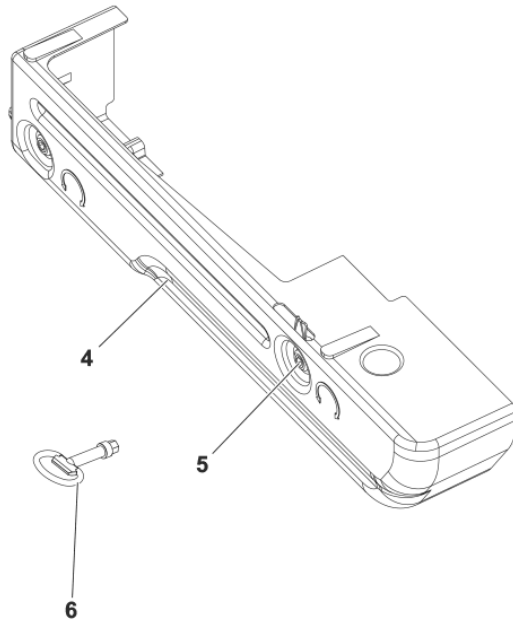
PL COVERS ASSY

SW5500 B NIL

2016.03.02

2016.03.03

No.	Part No.	Qty.	Description	Part Note
1	1466844000	1	COVER RT PLASTIC GREY KIT	
2	1466843000	1	COVER LT PLASTIC GREY KIT	
3	1466841000	1	COVER METALLIC BLACK RT SHOULDER KIT	
4	1466840000	1	COVER METALLIC BLACK LT SHOULDER KIT	
5	1466842000	6	PLATE F SIDE PANEL FIXING KIT	
6	1467027000	1	CAP D.22.6 PKD	
7	1467008000	2	SCREW 3.5X12 PAN PHIL W/O BIT 10 PCS SET	
8	1466794000	1	GRID SIDE MET. BLACK KIT	
9	1466794000	1	GRID SIDE MET. BLACK KIT	
10	1464948000	1	BEACON KIT	



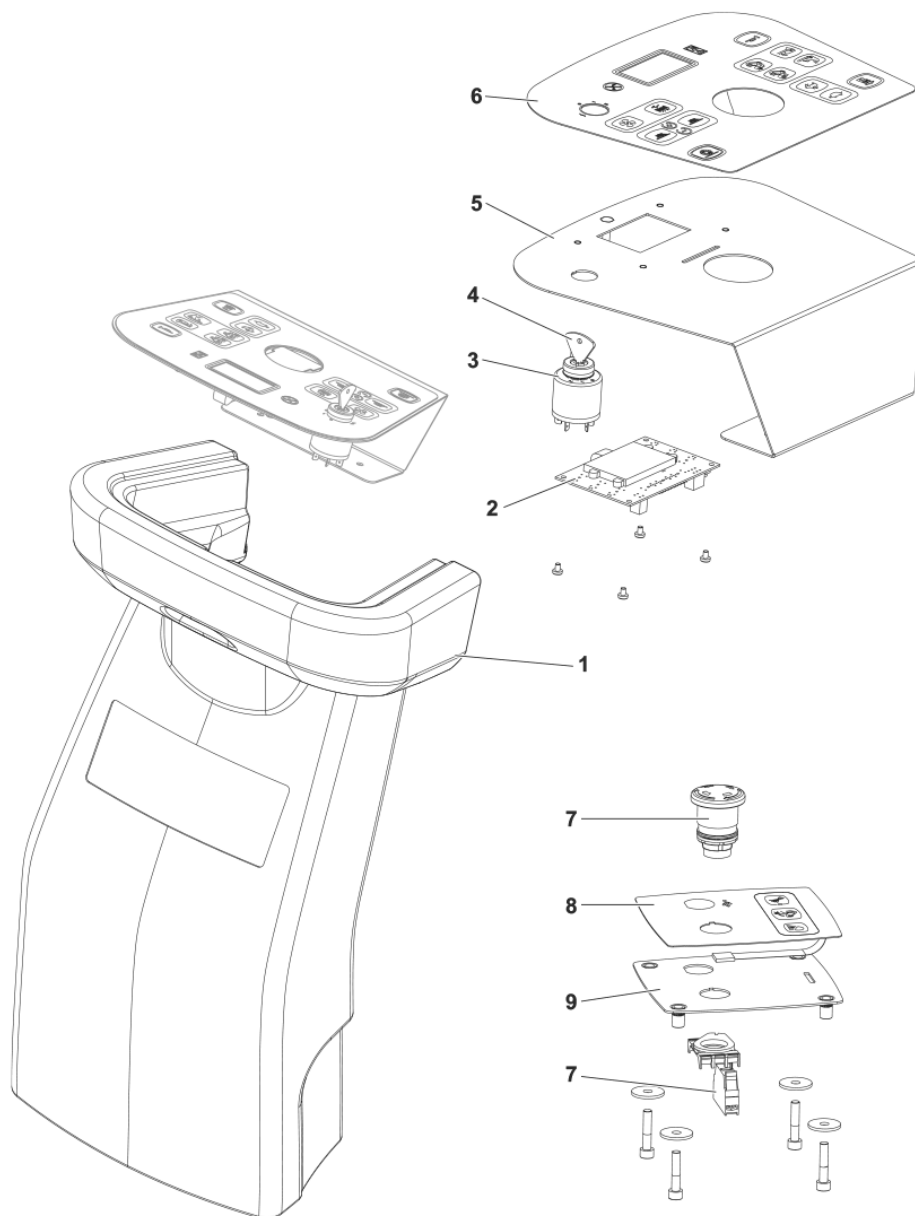
PL HATCHES ASSY

SW5500 B NIL

2016.03.01

2016.03.02

No.	Part No.	Qty.	Description	Part Note
1	1466849000	1	HATCH LOWER BLACK LT SIDE KIT	
2	1467041000	2	LOCK PKD	
3	1466850000	1	GASKET DOUBLE BULB RUBBER L.415MM PKD	
4	1466851000	1	HATCH LOWER BLACK RT SIDE KIT	
5	1467109000	1	LOCK WITH KEY FOR HATCH PKD	
6	1467057000	1	KEY HEX 10MM MALE PKD	



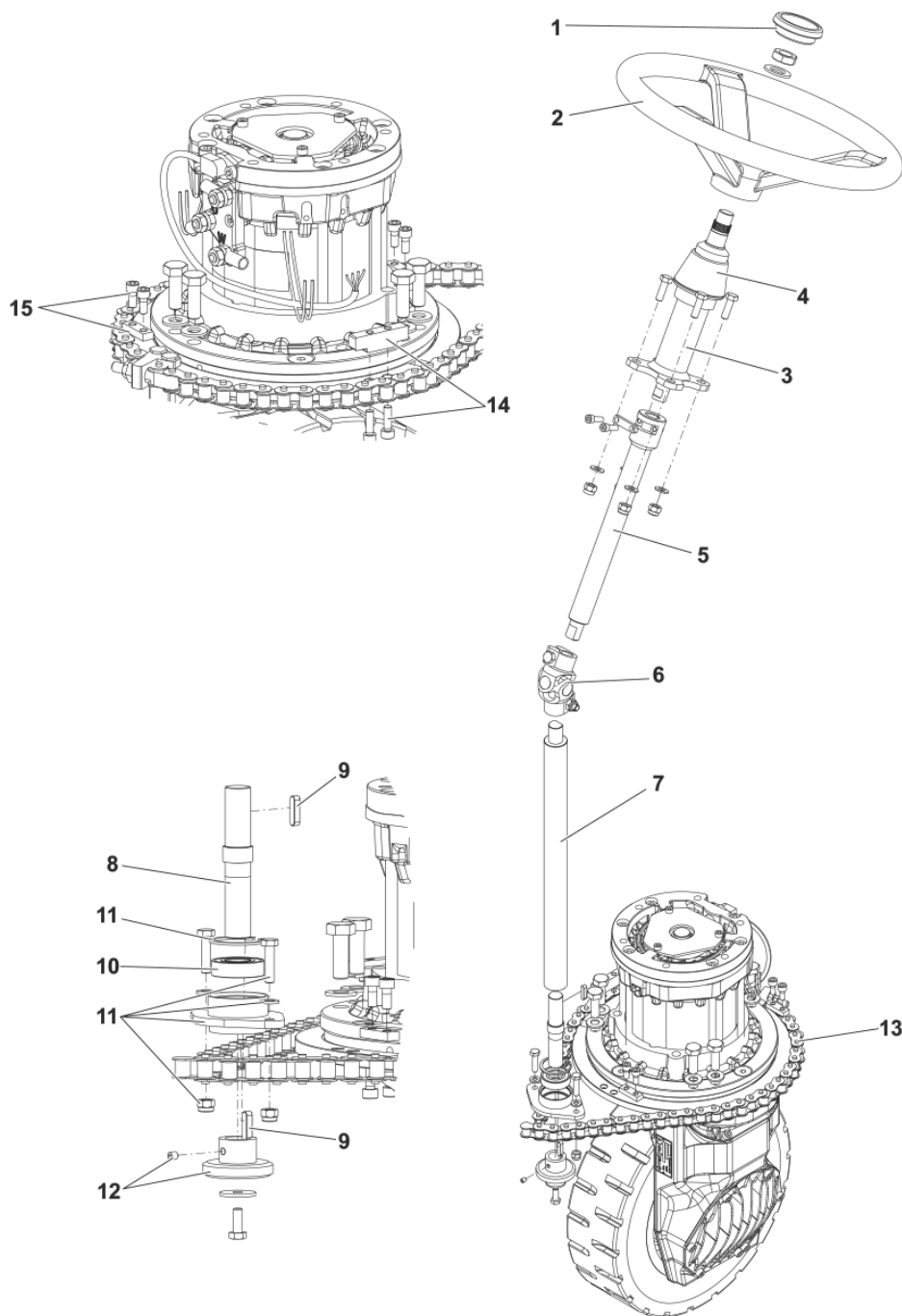
PL COLUMN DASHBOARD ASSY

SW5500 B NIL

2016.03.01

2016.03.14

No.	Part No.	Qty.	Description	Part Note
1	1466677000	1	COLUMN PLASTIC GREY PKD	
2	1466681000	1	CONTROLLER DISPLAY PKD	
3	33020442	1	KEY STARTER SWITCH W/SPARE KEY KIT	
4	1467014000	1	KEY F STARTER SWITCH 2 PCS SET	
5	1466682000	1	PLATE MET. BLACK F MAIN DASHBOARD PKD	
6	1466679000	1	DASHBOARD CONTROL PANEL BLUE PKD	
7	1466683000	1	SWITCH EMERGENCY KIT	
8	1466684000	1	DASHBOARD SIDE CONTROL PANEL PKD	
9	1466685000	1	PLATE MET. BLACK F SIDE DASHBOARD PKD	



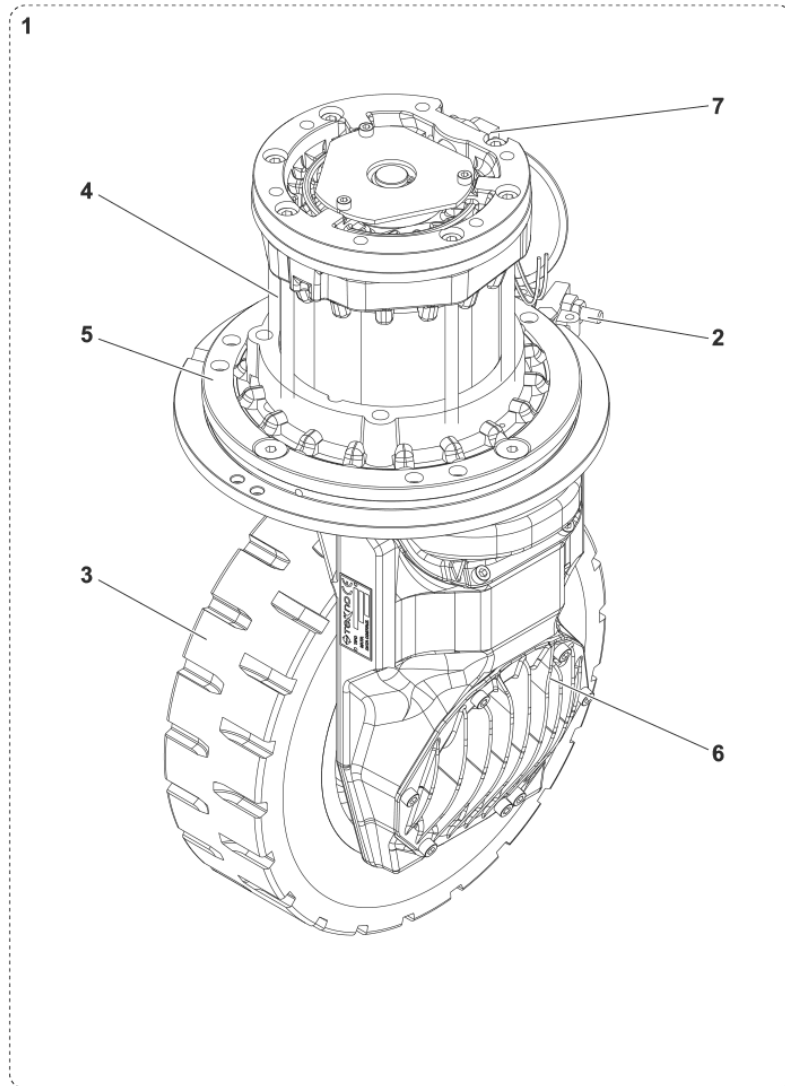
PL STEERING MOTORWHEEL ASSY

SW5500 B NIL

2016.03.01

2016.03.02

No.	Part No.	Qty.	Description	Part Note
1	1467031000	1	CAP PKD	
2	1467048000	1	WHEEL STEERING D.362 PKD	
3	1466525000	1	COLUMN STEERING PKD	
4	1467055000	1	COVER FOR STEERING COLUMN PKD	
5	1466593000	1	SHAFT GALV. UPPER F STEERING KIT	
6	1466319000	1	JOINT UNIVERSAL D.17 PKD	
7	1466594000	1	SHAFT GALV. VERTICAL F STEERING PKD	
8	1466595000	1	SHAFT GALV. F STEERING PKD	
9	1466147000	2	KEY 5X5X20 UNI6604A PKD	
10	1467030000	1	BEARING BALL 6003 2RS PKD	
11	1466601000	1	HOUSING PHOS. F STEERING BEARING KIT	
12	1466599000	1	PINION Z8 5/8X3/8 MET. KIT	
13	1466600000	1	CHAIN ISO 10B-1 57 PITCHES 2 LINKS PKD	
14	1466597000	1	STOP F STEERING GALV. ON MOTORWHEEL KIT	
15	1466596000	1	STOP F STEERING GALV. ON CHASSIS KIT	



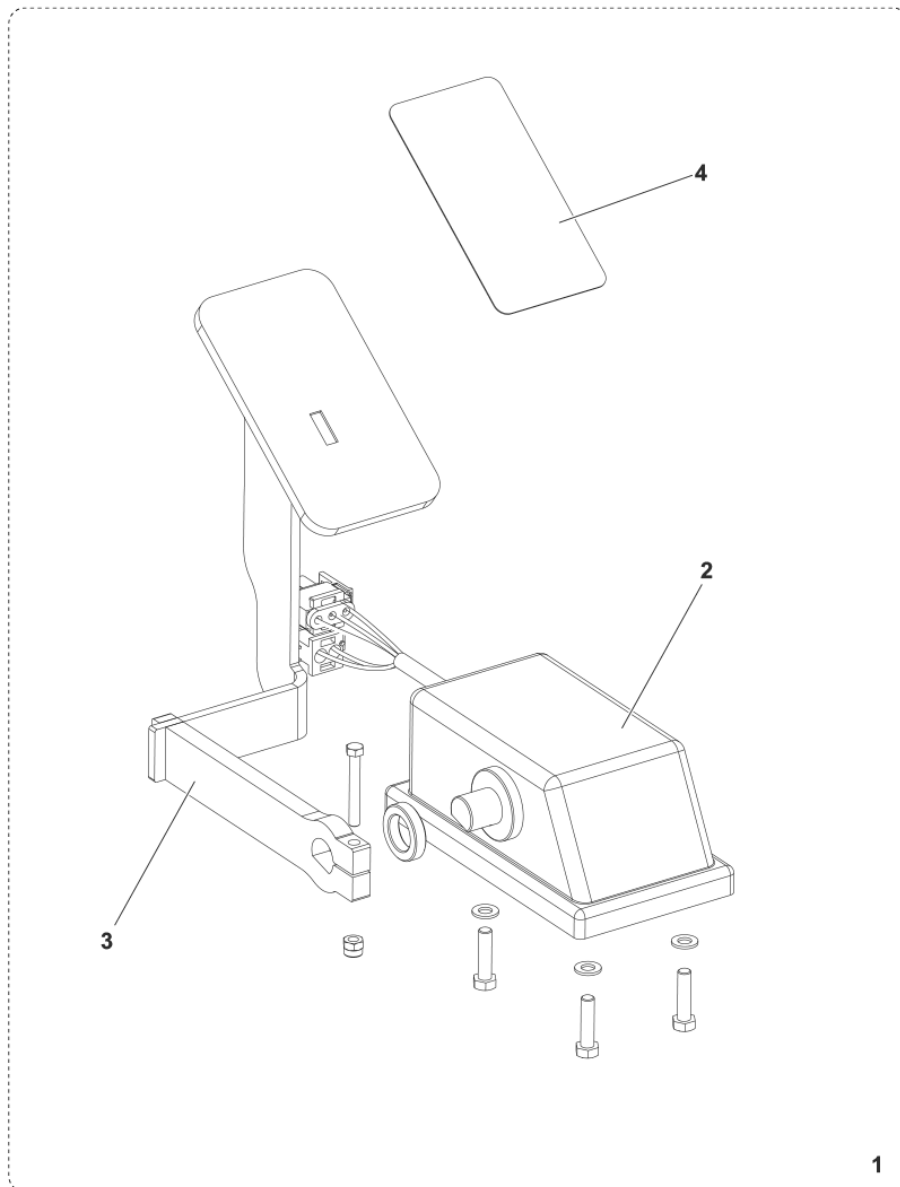
PL MOTORWHEEL ASSY

SW5500 B NIL

2016.03.01

2016.04.21

No.	Part No.	Qty.	Description	Part Note
1	1467191000	1	MOTORWHEEL TV-130 24V AC 1.2KW KIT	
2	1465990000	1	STRETCHER F CHAIN	
3	1466255000	1	WHEEL NON MARKING D300X85	
4	1466461000	1	MOTOR AC 24V 1.2KW	
5	1466468000	1	PLATE STEERING F MOTORWHEEL TV-130MF	
6	1466474000	1	GEAR BOX F MOTORWHEEL TV-130 1/28.4	
7	1467192000	1	SENSOR SPEED KIT	



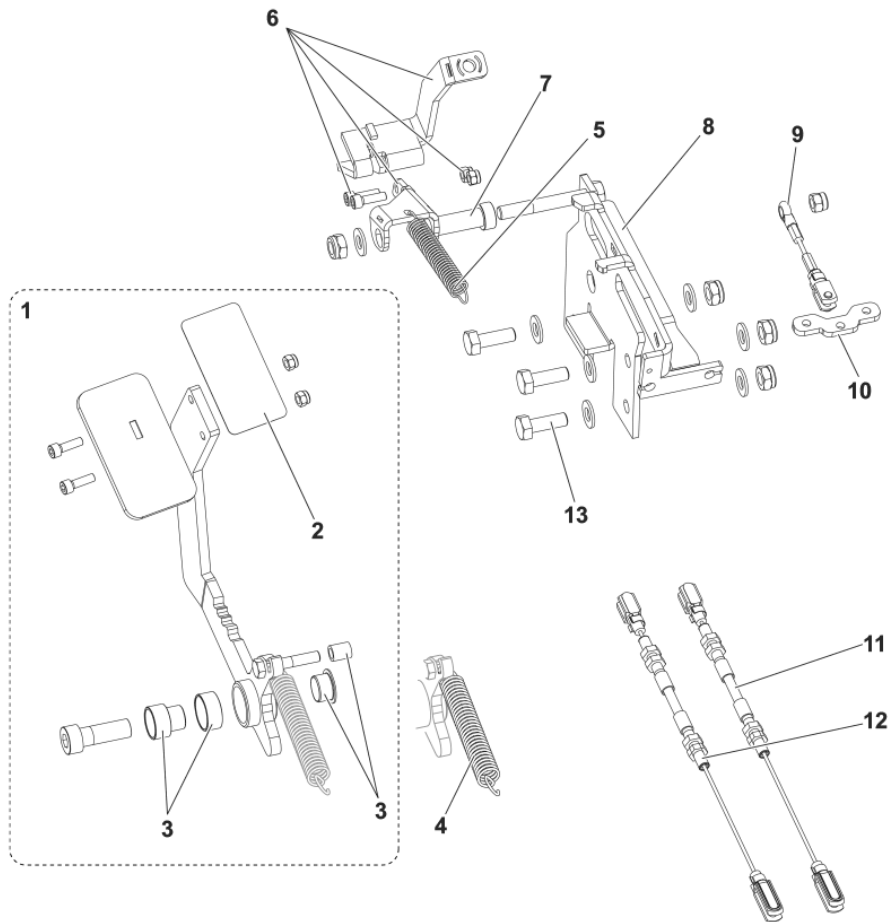
PL ACCELERATOR PEDAL ASSY

SW5500 B NIL

2016.03.01

2016.03.02

No.	Part No.	Qty.	Description	Part Note
1	1466589000	1	PEDAL ELECTRONIC ACCELERATOR KIT	
2	1466592000	1	ACCELERATOR ELECTRONIC PKD	
3	1466590000	1	PEDAL F ACCELERATOR KIT	
4	1466591000	1	ANTI-SLIP SURFACING BLACK 50X95MM KIT	



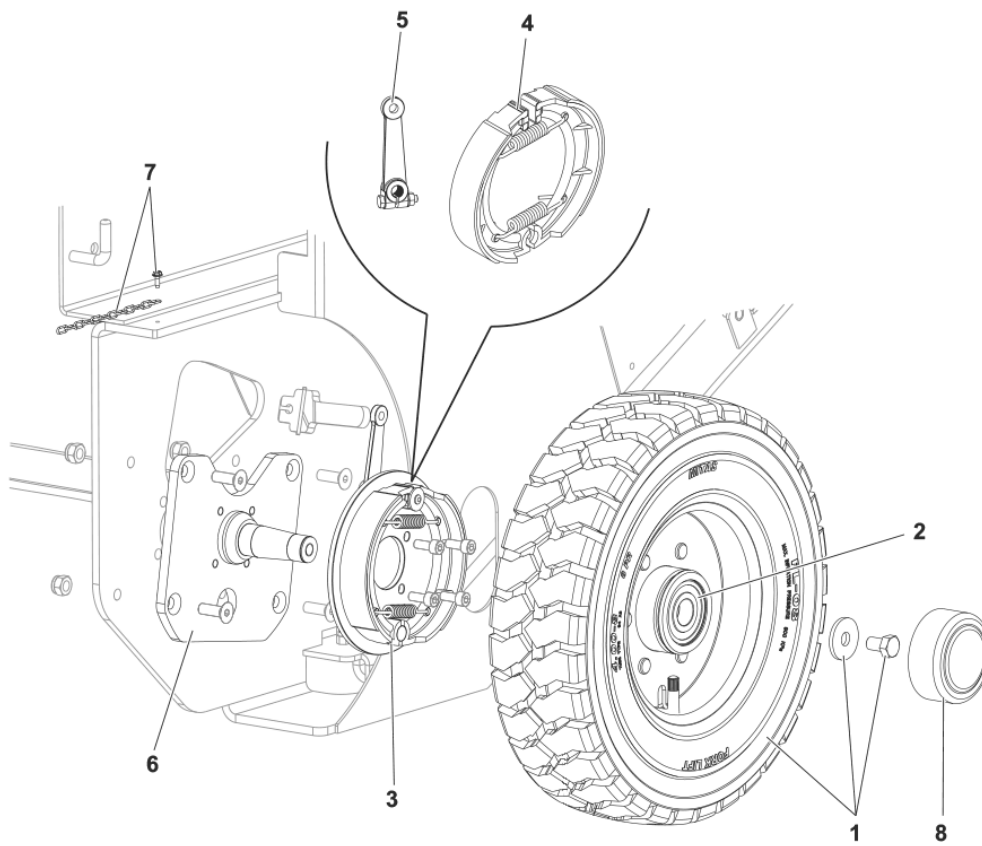
PL BRAKE PEDAL ASSY

SW5500 B NIL

2016.03.01

2016.03.02

No.	Part No.	Qty.	Description	Part Note
1	1466653000	1	PEDAL F BRAKE KIT	
2	1466591000	1	ANTI-SLIP SURFACING BLACK 50X95MM KIT	
3	1466654000	1	BUSHING F BRAKE PEDAL KIT	
4	1467046000	1	SPRING BRAKE PKD	
5	1467039000	1	SPRING TRACTION CARBON STEEL PKD	
6	1466660000	1	PEDAL PARKING BRAKE KIT	
7	1466877000	1	SPACER 54X14X10.2 GALV. PKD	
8	1466659000	1	PLATE MET. BLACK F BRAKE PEDAL SUPP. PKD	
9	1466658000	1	WIRE PRIMARY BRAKE PKD	
10	1466657000	1	PLATE GALV. F BRAKES BALANCING PKD	
11	1466655000	1	WIRE F RT BRAKE PKD	
12	1466656000	1	WIRE F LT BRAKE PKD	
13	1466661000	1	HARDWARE F BRAKE PEDAL KIT	



PL REAR WHEELS ASSY

SW5500 B NIL

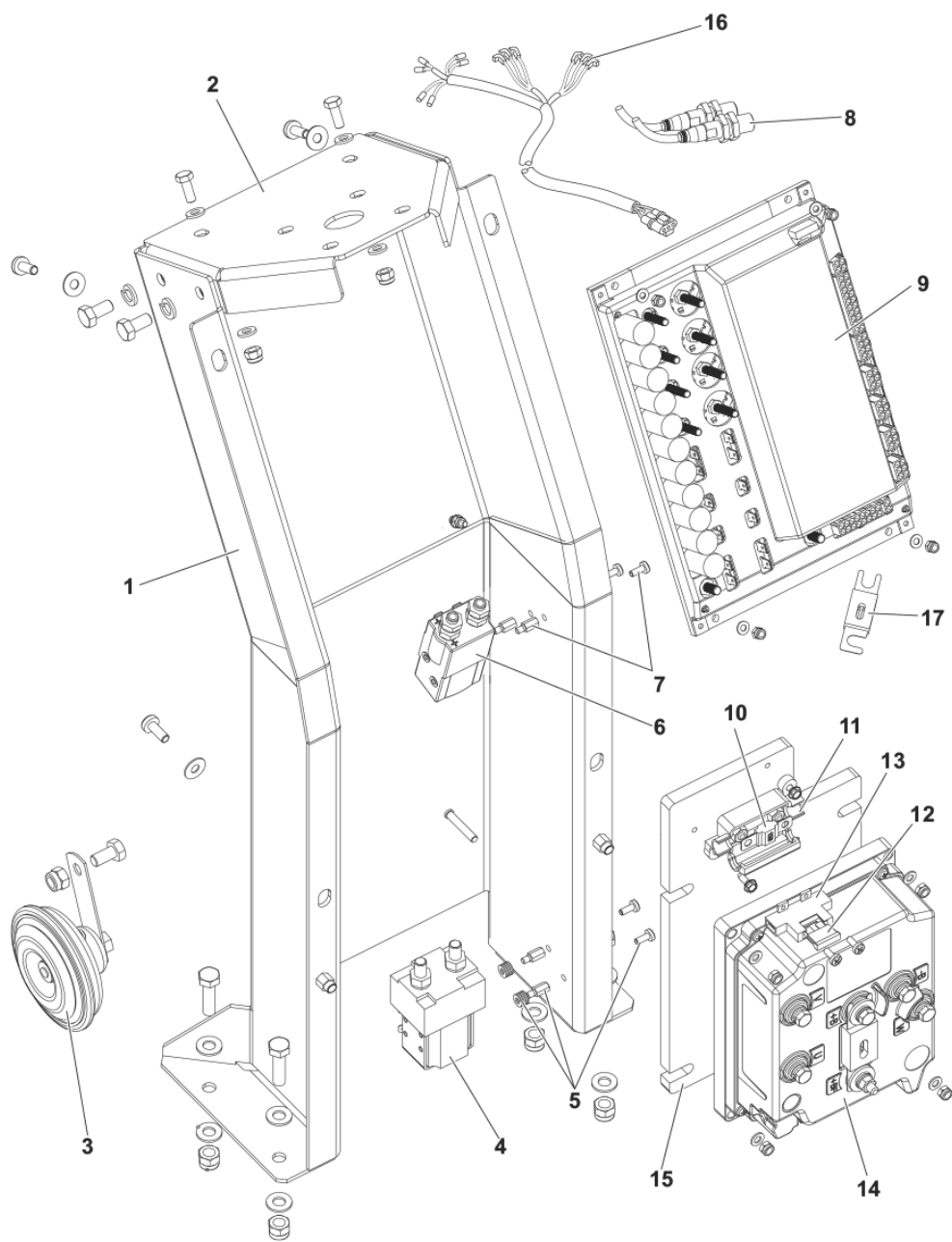
2016.03.02

2016.03.02

No.	Part No.	Qty.	Description	Part Note
1	1466587000	2	WHEELS FOAMED 4.00-8 CPL KIT	
1	1466588000	2	WHEELS SOLID 4.00-8 NON MARKING CPL KIT	[1]
1	1466860000	2	WHEELS SOLID 4.00-8 CPL KIT	[1]
2	33023318	2	BEARING AND SPACER F 5.00-8 WHEEL KIT	
3	33020205	2	DRUM BRAKE KIT	
4	1467066000	2	SHOE BRAKE PKD	
5	1467244000	2	LEVER F DRUM BRAKE PKD	
6	1467060000	2	SUPPORT FRONT WHEEL PKD	
7	1466586000	1	CHAIN GROUND L. 160MM KIT	
8	1467021000	1	CAP 2 PCS SET	

Part Notes:

[1] - OPTIONAL



PL ELECTRICAL COMPONENTS ASSY

SW5500 B NIL

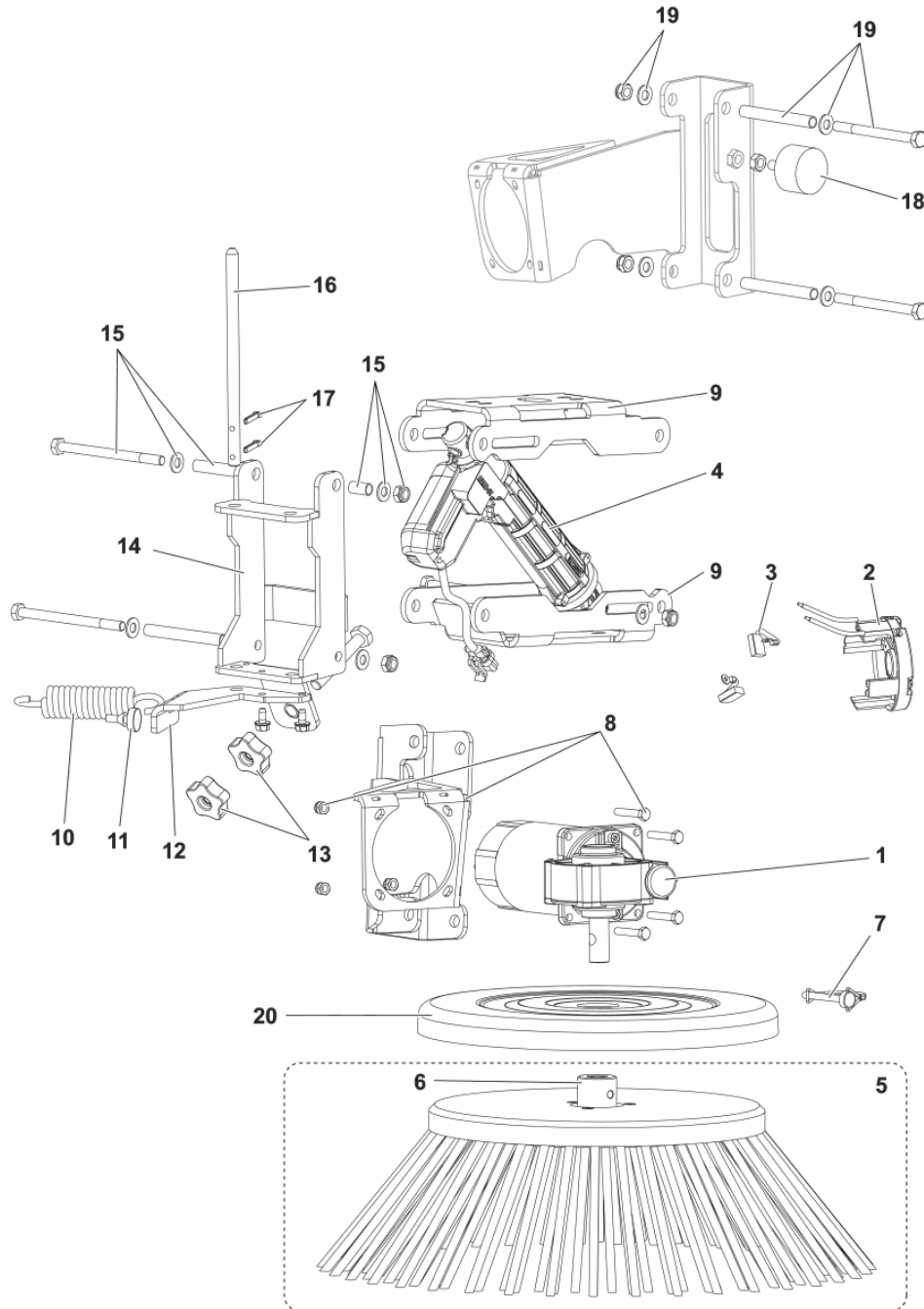
2016.03.01

2016.03.02

No.	Part No.	Qty.	Description	Part Note
1	1466648000	1	COLUMN METALLIC BLACK F STEERING PKD	
2	1466651000	1	PLATE UPPER STEERING COLUMN MET. PKD	
3	1467032000	1	HORN 24V PKD	
4	1466644000	1	CONTACTOR 24V 200A PKD	
5	1466643000	1	HARDWARE F HIGH CONTACTOR FIXING KIT	
6	1466645000	1	CONTACTOR 24V 100A PKD	
7	1466628000	1	HARDWARE F HIGH CONTACTOR FIXING KIT	
8	1467062000	2	SWITCH BACK UP PROXIMITY PKD	
9	1466647000	1	CONTROLLER MAIN MACHINE PKD	
10	1466652000	1	FUSE BOLT DOWN 150A PKD	
11	1465073000	1	HOLDER FUSE KIT	
12	1467034000	1	FUSE BLADE 10A PKD	
13	1467035000	1	HOLDER FUSE THERMOPL. UL 94-V0 PKD	
14	1466649000	1	CONTROLLER DRIVE WHEEL 24V 240A A.C. PKD	
15	1466650000	1	PLATE TRAC. BOARD HEAT SINK ALLUM. PKD	
16	1466646000	1	HARNESS STEERING COLUMN PKD	
17	1467241000	1	FUSE BOLT-DOWN 160A PKD	
18	1466410000	1	PROGRAMMER F CANBUS KIT	[1]

Part Notes:

[1] - OPTIONAL - NOT SHOWN



PL RIGHT BROOM ASSY

SW5500 B NIL

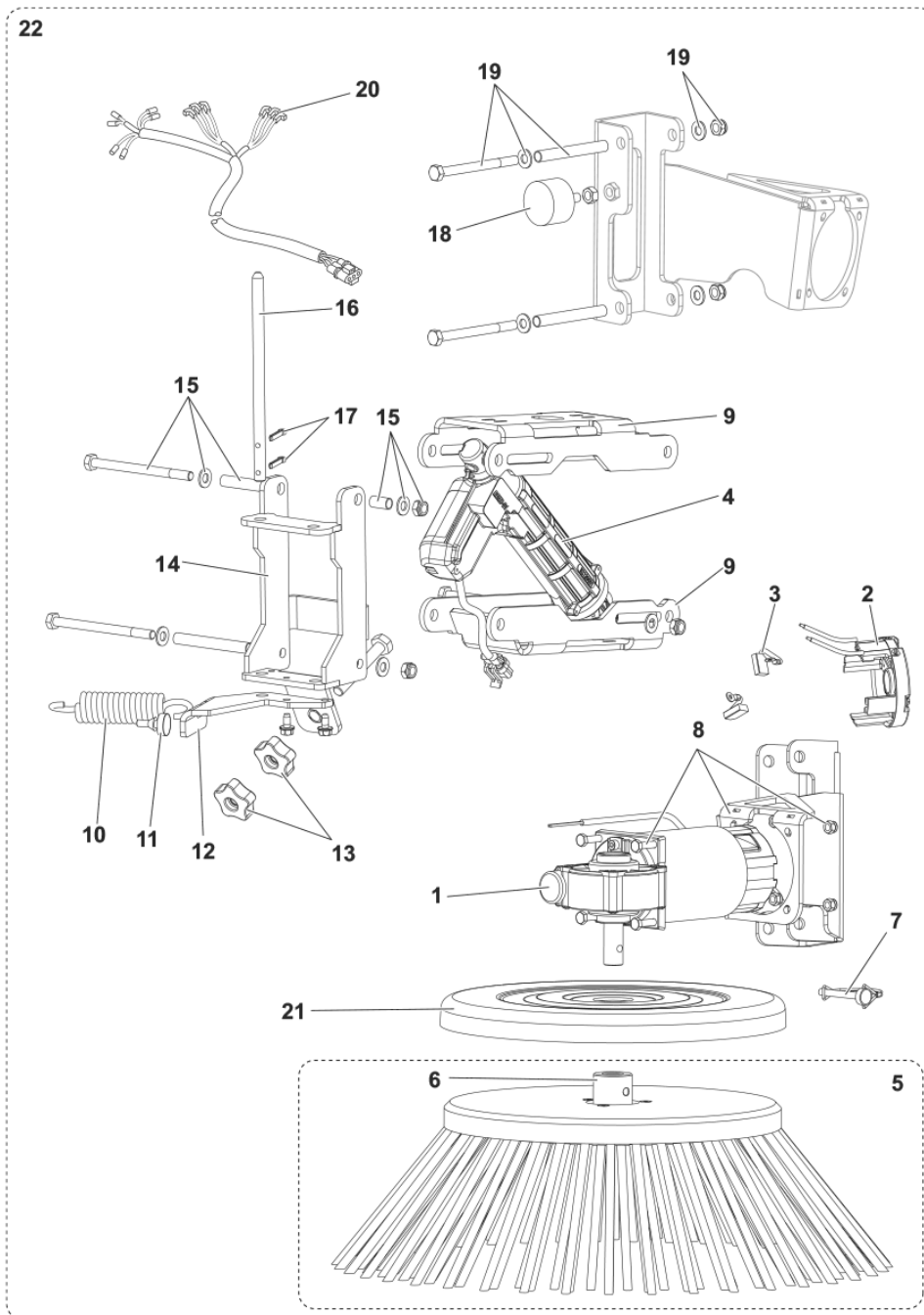
2016.03.01

2016.03.02

No.	Part No.	Qty.	Description	Part Note
1	1466668000	1	MOTOR GEARBOX 24VDC 120W RT BROOM PKD	
2	1467215000	1	CAP F MOTOR BRUSHES PKD	
3	1467083000	1	CARBON BRUSH 2 PCS SET	
4	1466663000	1	ACTUATOR LINEAR 24V DC STRK 45MM PKD	
5	1466670000	1	BROOM SIDE 302X500 PPL 1.5 BLACK	
5	1466936000	1	BROOM SIDE 302X500 MIX STEEL	[1]
5	1467076000	1	BROOM SIDE 302X500 MIX 5	[1]
6	1466859000	1	HUB F SIDE BROOM PKD	
7	1467070000	1	PIN D.10 BROOM LOCKING PKD	
8	1466667000	1	BRACKET MET. BLACK F RT GEARBOX SUPP KIT	
9	1466662000	2	ARM MET. BLACK F SIDE BROOM SUPP. PKD	
10	1467071000	1	SPRING PKD	
11	1467006000	1	PLUG ANTI VIBRATION D.8-D.20 10 PCS SET	
12	1466665000	1	PLATE SIDE BROOM STOP PKD	
13	1467036000	2	KNOB LOBES M10 FEMALE PKD	
14	1466671000	1	SUPPORT MET. BLACK F SIDE BROOM PKD	
15	1466675000	1	HARDWARE F SIDE BROOM SUPPORT KIT	
16	1466676000	1	PIN GALV. F SIDE BROOM PKD	
17	1467005000	1	PIN SPLIT 4X25 UNI1336 10 PCS SET	
18	1467047000	1	BUMPER M8 40x25MM PKD	
19	1466673000	1	HARDWARE F RT GEARBOX BRAKET SUPP. KIT	
20	1466669000	1	COVER PLASTIC SIDE BROOM PROTECT. PKD	

Part Notes:

[1] - OPTIONAL



PL LEFT BROOM ASSY

SW5500 B NIL

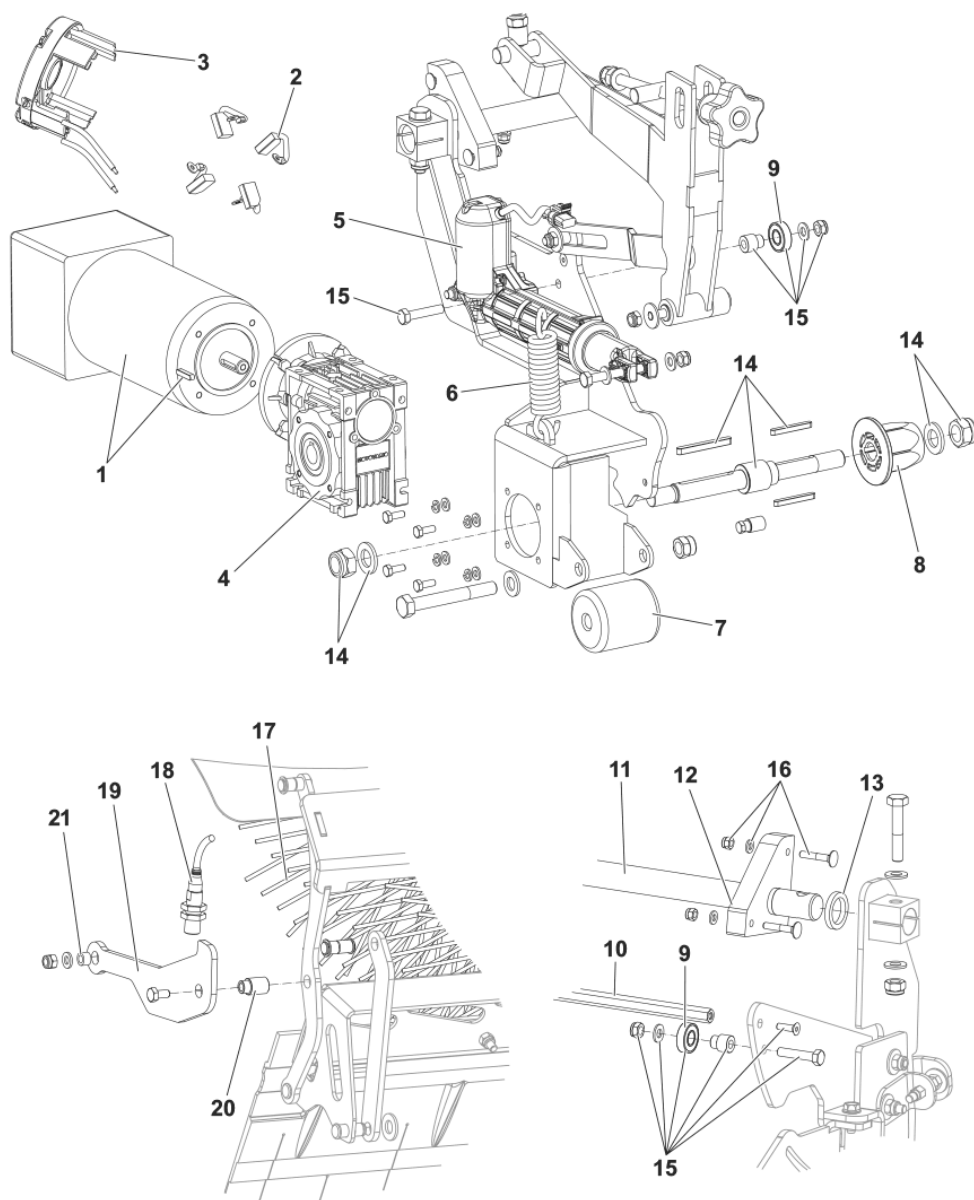
2016.03.01

2016.03.02

No.	Part No.	Qty.	Description	Part Note
1	1466674000	1	MOTOR GEARBOX 24VDC 120W LT BROOM PKD	
2	1467215000	1	CAP F MOTOR BRUSHES PKD	
3	1467083000	1	CARBON BRUSH 2 PCS SET	
4	1466663000	1	ACTUATOR LINEAR 24V DC STRK 45MM PKD	
5	1466670000	1	BROOM SIDE 302X500 PPL 1.5 BLACK	
5	1466936000	1	BROOM SIDE 302X500 MIX STEEL	[1]
5	1467076000	1	BROOM SIDE 302X500 MIX 5	[1]
6	1466859000	1	HUB F SIDE BROOM PKD	
7	1467070000	1	PIN D.10 BROOM LOCKING PKD	
8	1466666000	1	BRACKET MET. F LT GEARBOX SUPP. KIT	
9	1466662000	2	ARM MET. BLACK F SIDE BROOM SUPP. PKD	
10	1467071000	1	SPRING PKD	
11	1467006000	1	PLUG ANTI VIBRATION D.8-D.20 10 PCS SET	
12	1466665000	1	PLATE SIDE BROOM STOP PKD	
13	1467036000	2	KNOB LOBES M10 FEMALE PKD	
14	1466671000	1	SUPPORT MET. BLACK F SIDE BROOM PKD	
15	1466675000	1	HARDWARE F SIDE BROOM SUPPORT KIT	
16	1466676000	1	PIN GALV. F SIDE BROOM PKD	
17	1467005000	1	PIN SPLIT 4X25 UNI1336 10 PCS SET	
18	1467047000	1	BUMPER M8 40x25MM PKD	
19	1466672000	1	HARDWARE F LT GEARBOX BRAKET SUPP. KIT	
20	1466664000	1	HARNESS F LT SIDE BROOM PKD	
21	1466669000	1	COVER PLASTIC SIDE BROOM PROTECT. PKD	
22*	1466888000	1	BROOM LEFT SIDE PPL 1.5 KIT	[2]

Part Notes:

- [1] - OPTIONAL
- [2] - OPTIONAL - INST. INSTR. 1466898000



PL MAIN BROOM ASSY

SW5500 B NIL

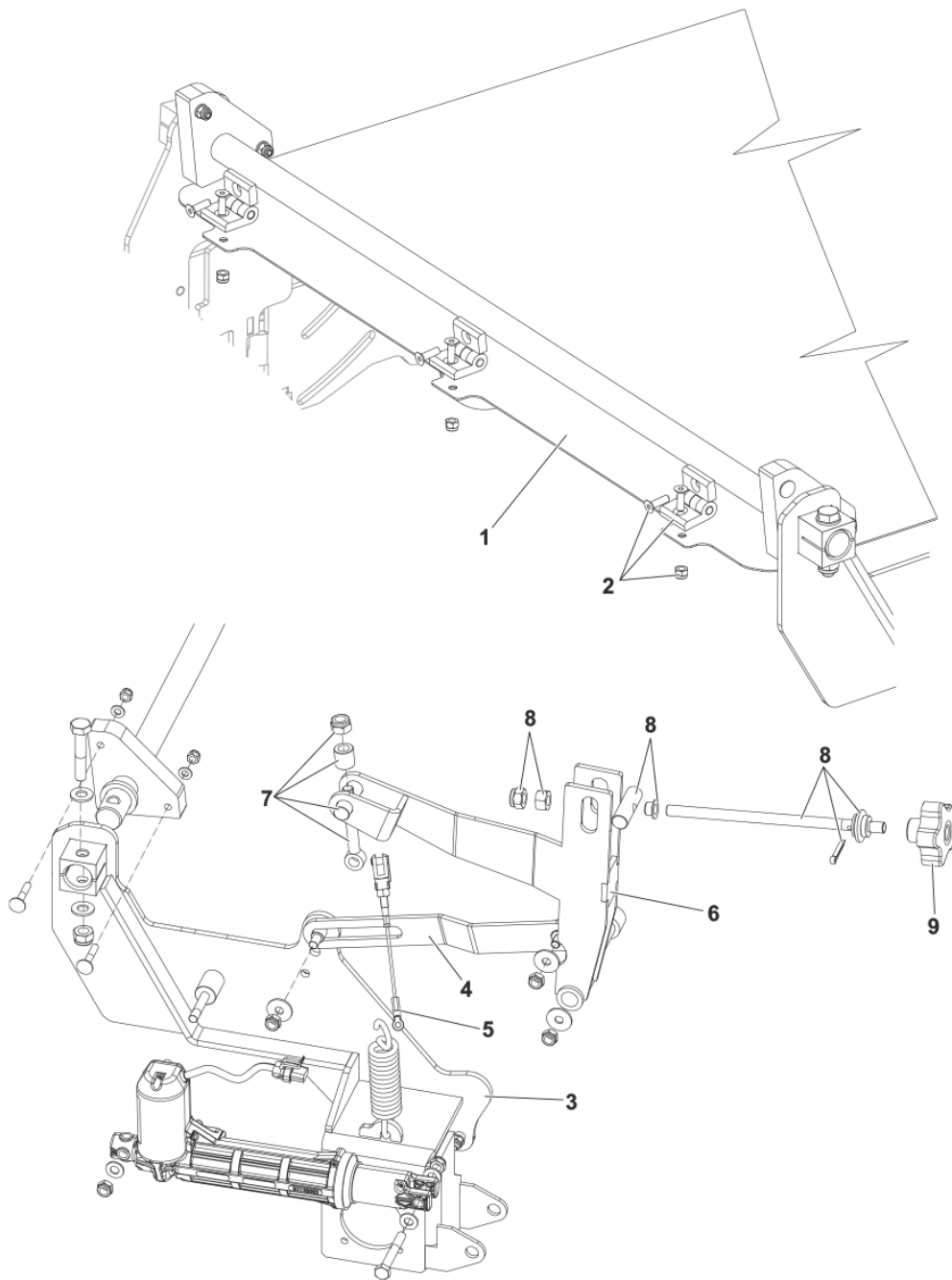
2016.03.01

2016.03.21

No.	Part No.	Qty.	Description	Part Note
1	1466946000	1	MOTOR 24V 1250W 3800 RPM IP44 MP80L KIT	
2	L08603949	1	CARBON BRUSHES SET 4 PCS	
3	1467214000	1	CAP F MP80L MOTOR BRUSHES PKD	
4	1466691000	1	GEAR BOX 7.5/1 71 B14 PKD	
5	1466663000	1	ACTUATOR LINEAR 24V DC STRK 45MM PKD	
6	1467071000	1	SPRING PKD	
7	1467069000	1	ROLLER SIDE BLADE PKD	
8	1467056000	1	HUB MAIN BROOM PKD	
9	44905699	2	BEARING BALL 6001 2RS PKD	
10	1466689000	1	SHAFT HEX REINFORCE F MAIN BROOM PKD	
11	1466693000	1	SHAFT GALV. MAIN BROOM PKD	
12	1466694000	2	SUPPORT PLASTIC F MAIN BROOM SHAFT KIT	
13	1466695000	2	SPACER PLASTIC F MAIN BROOM SHAFT KIT	
14	1466690000	1	SHAFT F MAIN BROOM KIT	
15	1466688000	1	SUPPORT F MOVABLE GUIDE KIT	
16	1466692000	2	HARDWARE F MAIN BROOM SUPPORT KIT	
17	1465717000	1	BROOM MAIN 360X850 8R PPL 0.8	
17	1465730000	1	BROOM MAIN 360X850 8R MIX STEEL WHITE	[1]
17	1465731000	1	BROOM MAIN 360X850 8R PPL 1 BLACK	[1]
18	1467062000	1	SWITCH BACK UP PROXIMITY PKD	
19	1466705000	1	PLATE LINKING GALV. F FRONT SKIRT PKD	
20	1466865000	1	PIN D10/13 GALV. PKD	
21	1467037000	1	SPACER 6.1X10X6.5 PKD	

Part Notes:

[1] - OPTIONAL



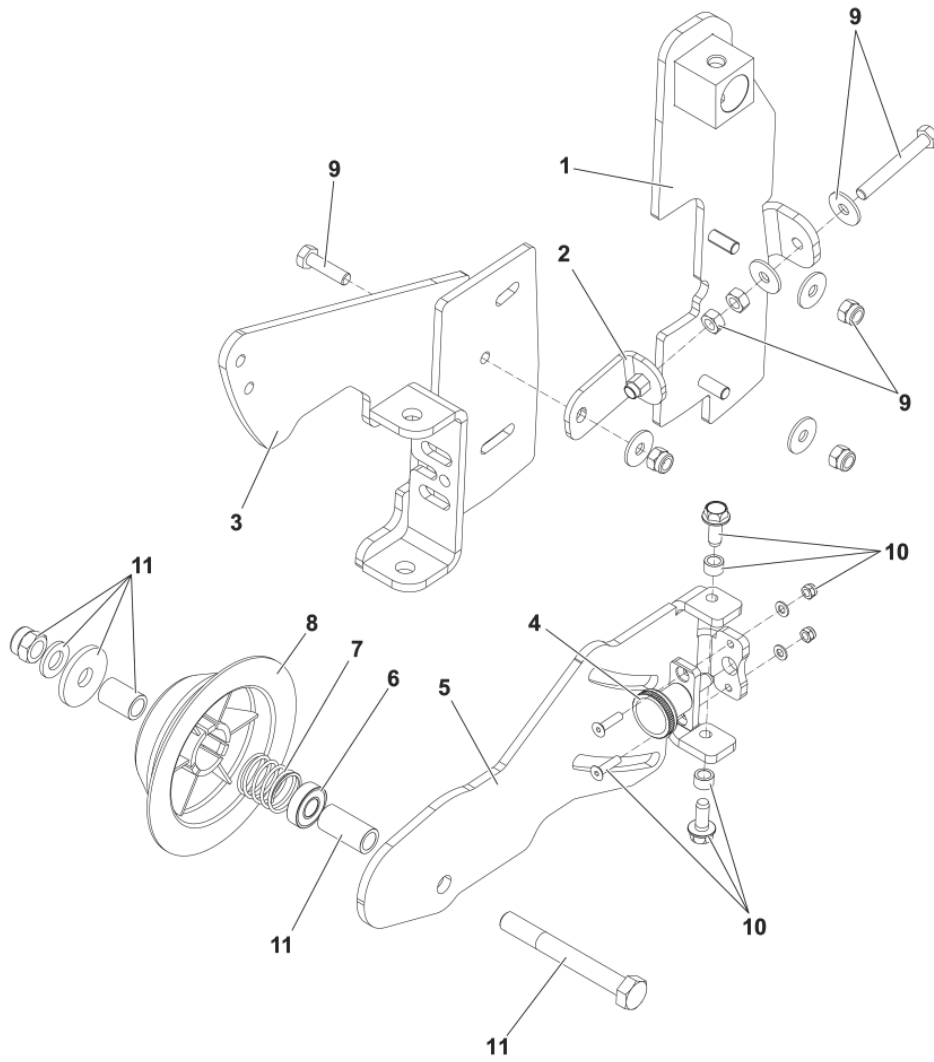
PL MAIN BROOM ADJUSTMENT

SW5500 B NIL

2016.03.01

2016.03.02

No.	Part No.	Qty.	Description	Part Note
1	1466699000	1	PLATE GALV. MOBILE WALL PKD	
2	1466698000	3	HINGES F MOVABLE WALL KIT	
3	1466703000	1	ARM RT GALV. F MAIN BROOM SUPPORT PKD	
4	1466704000	1	LEVER GALV. F MAIN BROOM SUPPORT PKD	
5	1466697000	1	TIE-ROD METALLIC F BROOM SPRING PKD	
6	1466702000	1	LEVER GALV. F MAIN BROOM LIFTING PKD	
7	1466696000	1	ADJUSTING F MAIN BROOM SPRING KIT	
8	1466700000	1	SCREW F MAIN BROOM SETTING KIT	
9	1466701000	1	KNOB LOBES M10 F W/ ORANGE CAP PKD	



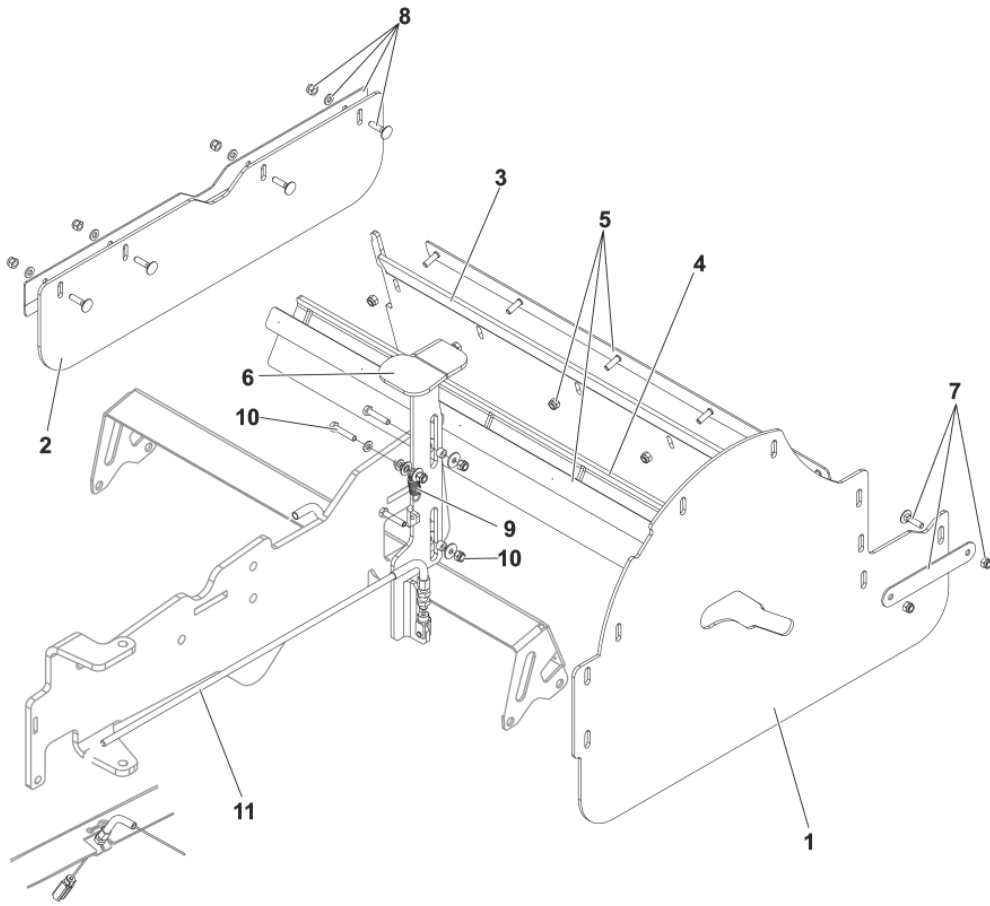
PL LEFT ARM MAIN BROOM ASSY

SW5500 B NIL

2016.03.01

2016.03.02

No.	Part No.	Qty.	Description	Part Note
1	1466625000	1	ARM LT GALV. F MAIN BROOM FIXED PKD	
2	1466627000	1	PLATE GALV. F MAIN BROOM SETTING PKD	
3	1466626000	1	ARM LT GALV. F MAIN BROOM MOBILE PKD	
4	1466623000	1	PLUNGER INDEXING WITH FLANGE PKD	
5	1466621000	1	BRACKET GALV. F MAIN BR. INSPECTION PKD	
6	44905699	1	BEARING BALL 6001 2RS PKD	
7	1467024000	1	SPRING PKD	
8	1467023000	1	HUB LEFT MAIN BROOM PKD	
9	1466624000	1	HARDWARE F MAIN BROOM LT ARM KIT	
10	1466622000	1	HARDWARE F MAIN BR. INSPECT. BRACKET KIT	
11	1466620000	1	HARDWARE F IDLE HUB KIT	



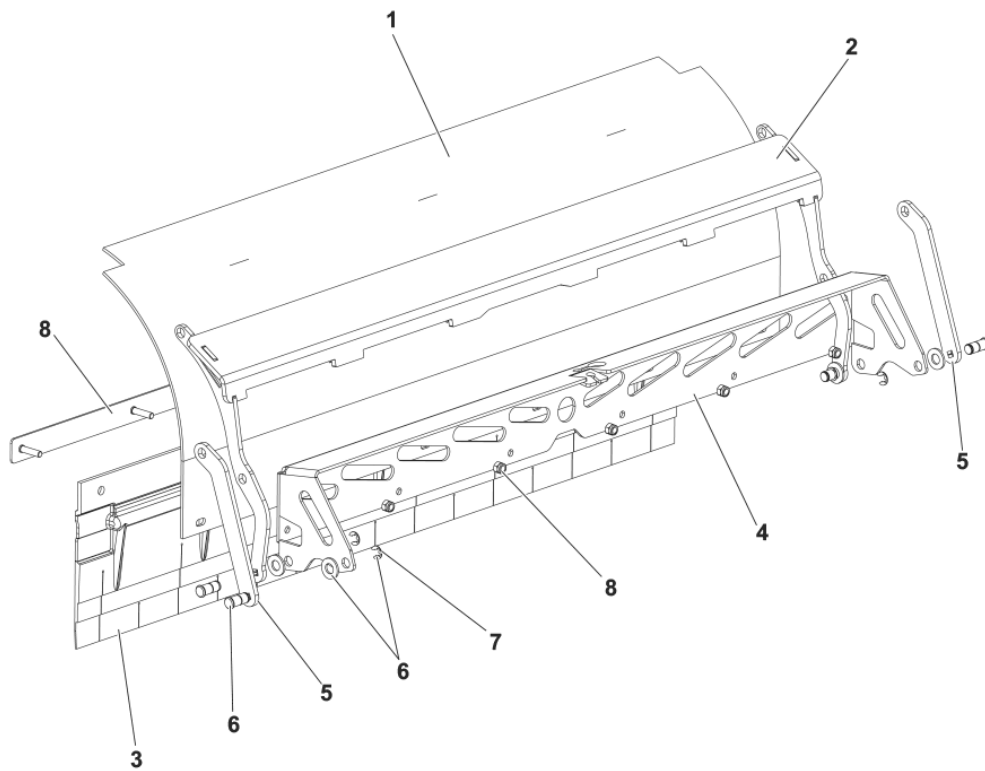
PL SKIRTS ASSY

SW5500 B NIL

2016.03.01

2016.03.02

No.	Part No.	Qty.	Description	Part Note
1	1466614000	1	SKIRT LT SIDE BLACK RUBBER PKD	
2	1466619000	1	SKIRT RT SIDE BLACK RUBBER PKD	
3	1466613000	1	SKIRT REAR PRIMARY BLACK RUBBER PKD	
4	1466616000	1	SKIRT REAR RECYCLING BLACK RUBBER PKD	
5	1466617000	1	PLATE GALV. F PRIMARY REAR SKIRT KIT	
6	1466611000	1	PEDAL GALV.F FRONT SKIRT RAISING PKD	
7	1466615000	1	PLATE GALV. F LT SKIRT KIT	
8	1466618000	1	PLATE GALV. F RT SIDE SKIRT KIT	
9	1467039000	1	SPRING TRACTION CARBON STEEL PKD	
10	1466610000	1	HARDWARE F FRONT SKIRT PEDAL KIT	
11	1466612000	1	WIRE F FRONT SKIRT RAISING PKD	



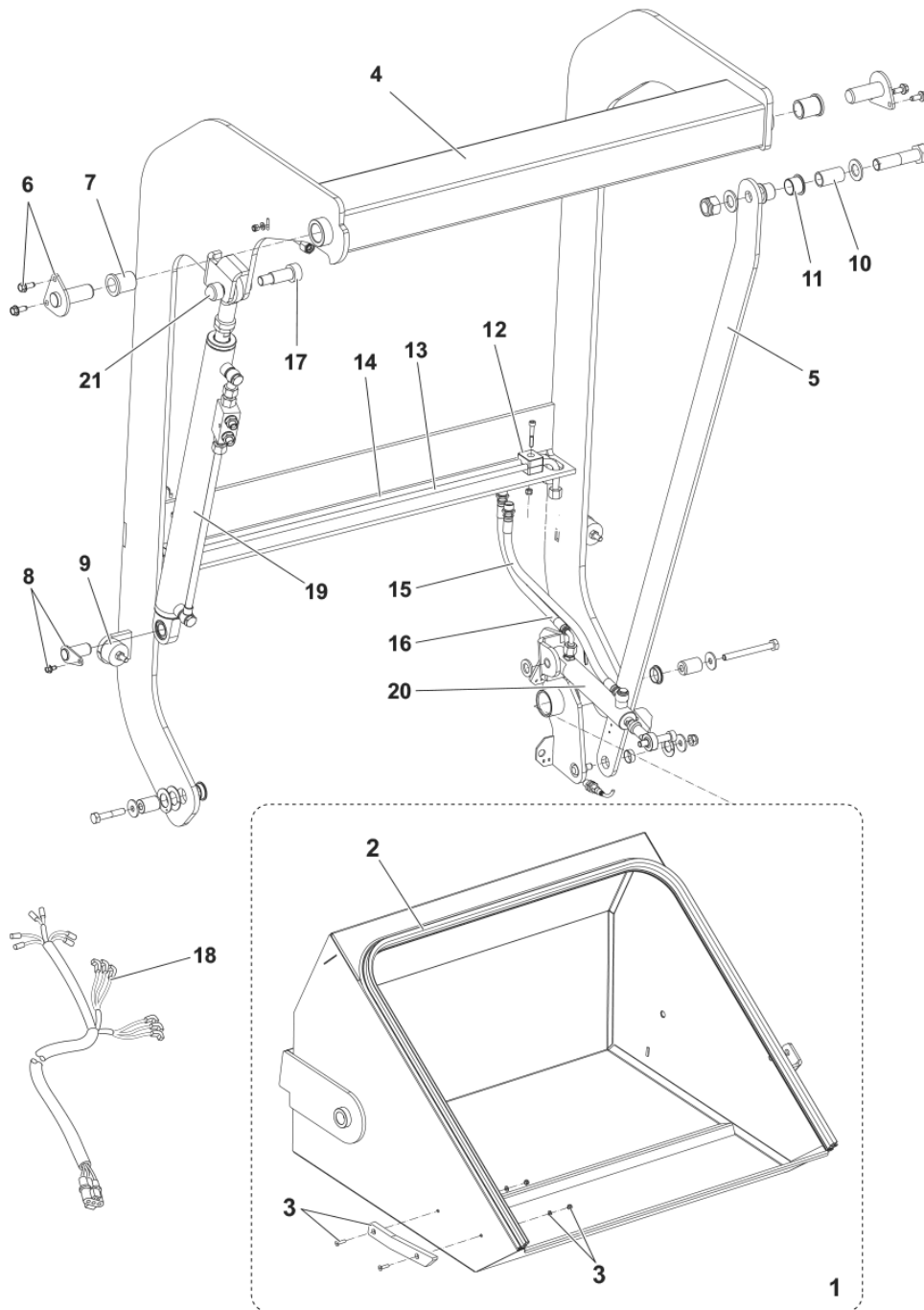
PL FRONT SKIRT ASSY

SW5500 B NIL

2016.03.01

2016.03.02

No.	Part No.	Qty.	Description	Part Note
1	1466605000	1	WALL MOBILE LOWER BLACK RUBBER PKD	
2	1466609000	1	SUPPORT PRIMARY GALV. F FRONT SKIRT PKD	
3	1466606000	1	SKIRT FRONT OVERMOLDED BLACK RUBBER PKD	
4	1466603000	1	SUPPORT GALV. F FRONT SKIRT PKD	
5	1466604000	2	PLATE SECONDARY GALV. F FRONT SKIRT KIT	
6	1466607000	1	PINS D10 FRONT SKIRT SUPPORT FIXING KIT	
7	1466608000	1	SEEGER RING D.7 DIN6799 10 PCS SET	
8	1466602000	1	PLATE GALV. F FRONT SKIRT KIT	



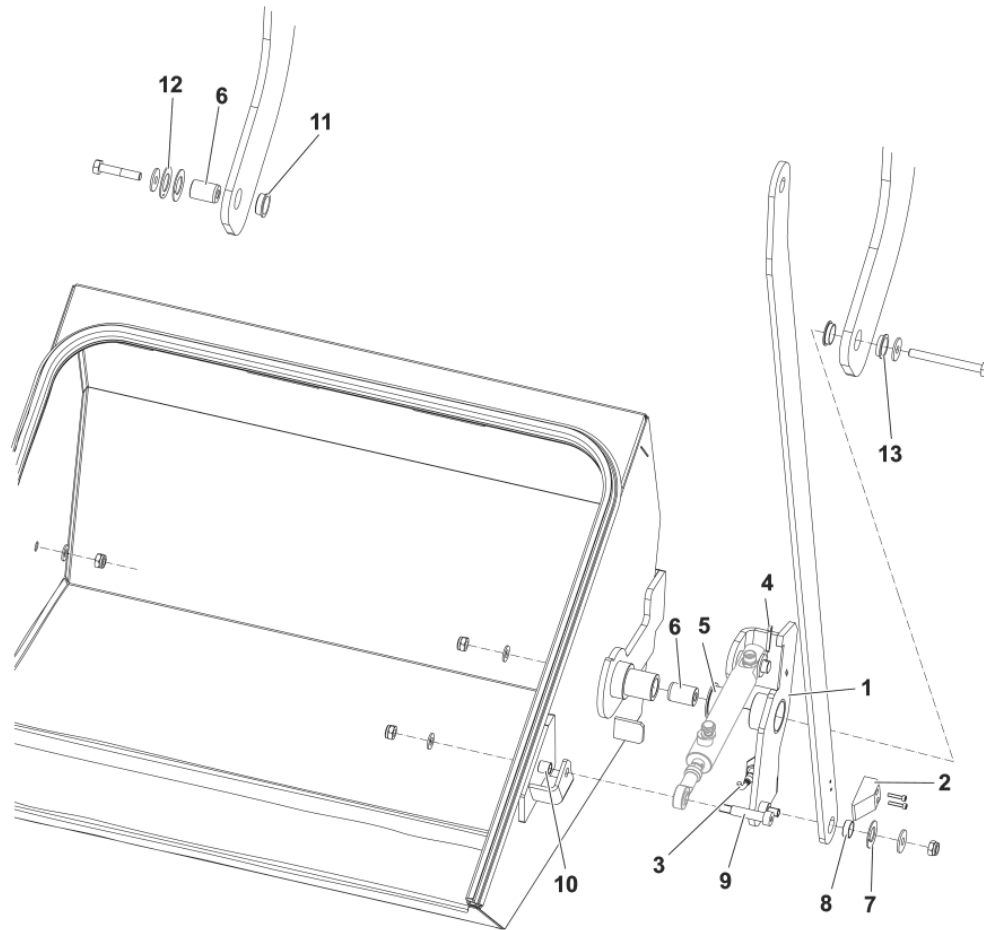
PL LIFTING HOPPER ASSY

SW5500 B NIL

2016.03.01

2016.03.02

No.	Part No.	Qty.	Description	Part Note
1	1466718000	1	HOPPER WASTE CPL KIT	
2	1466862000	1	GASKET DOUBLE BULB RUBBER L.2020MM PKD	
3	1466861000	1	CAM PLASTIC F HOPPER POSITIONING KIT	
4	1466715000	1	ARM PRIMARY F HOPPER LIFTING BLACK PKD	
5	1466716000	1	ARM SECONDARY MET. F HOPPER LIFTING PKD	
6	1466713000	2	PIN PIVOTING F HOPPER ARM KIT	
7	1467045000	2	BEARING FLANGE MFM-2532-40 PKD	
8	1466714000	1	PIN F LIFTING CYLINDER KIT	
9	1467047000	2	BUMPER M8 40x25MM PKD	
10	1466719000	1	SPACER 20X25X43.5 GALV. PKD	
11	1466720000	1	BEARING FL.IGLIDUR GFM-2528-21 2 PCS SET	
12	1466717000	3	CLAMP TWIN D.10 PLASTIC BLUE 3 PCS SET	
13	1466728000	1	HOSE SEMI RIGID D.10 HOPPER DUMPING PKD	
14	1466729000	1	HOSE SEMI RIGID D.10 HOPPER RECALL PKD	
15	1466730000	1	HOSE HYDRAULIC 1/4 R1AT L. 550MM PKD	
16	1466731000	1	HOSE HYDRAULIC 1/4 R1AT L. 490MM PKD	
17	1467018000	1	SCREW SHOULDER 20X40 M16 2 PCS SET	
18	1466863000	1	HARNES HOPPER PKD	
19	1466790000	1	CYLINDER HYDRAULIC 40/25/470 CPL KIT	
20	1466723000	1	CYLINDER HYDRAULIC 25/16/120 CPL KIT	
21	1466732000	1	CAP PLASTIC BLACK F M16 NUT PKD	



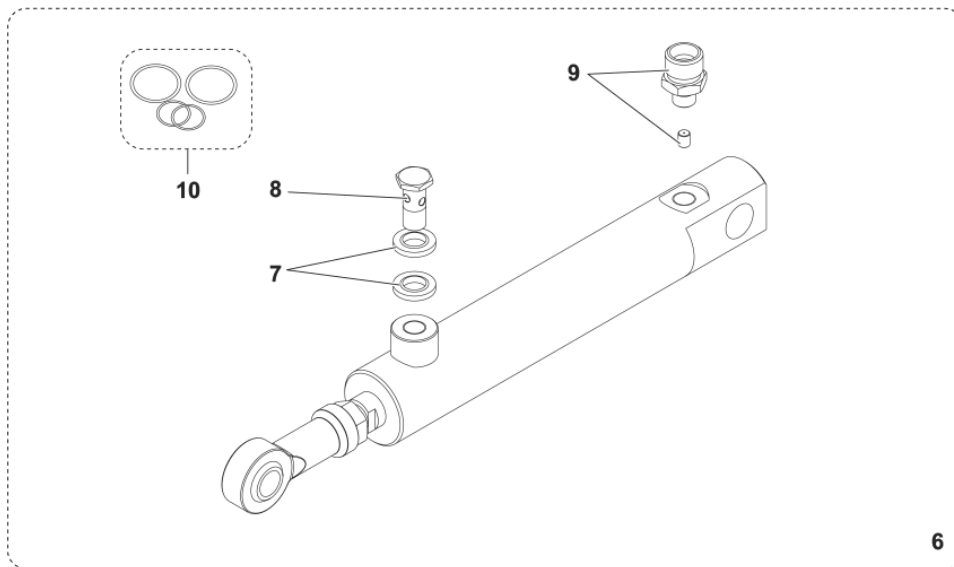
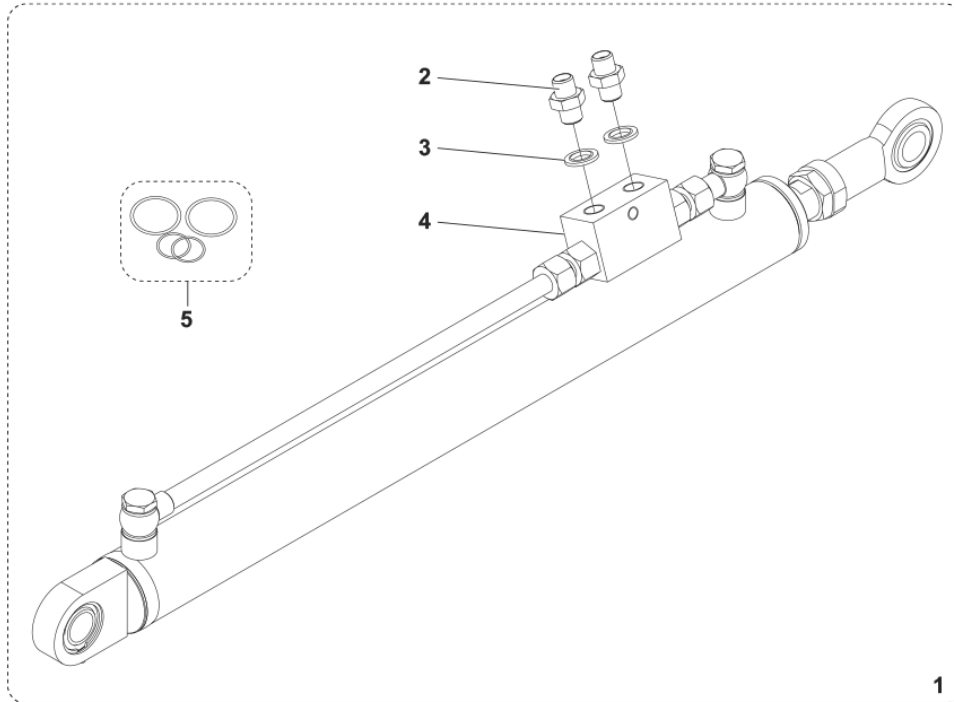
PL LIFTING HOPPER ASSY 2

SW5500 B NIL

2016.03.01

2016.03.02

No.	Part No.	Qty.	Description	Part Note
1	1466722000	1	BRACKET MET. F LIFTING ARMS JOINT PKD	
2	1466724000	1	BLOCK PLASTIC F LIFTING ARM GUIDE PKD	
3	1467062000	1	SWITCH BACK UP PROXIMITY PKD	
4	1467005000	1	PIN SPLIT 4X25 UNI1336 10 PCS SET	
5	1466721000	1	BEARING FLANGE IGLIDUR GFM-3539-36 PKD	
6	1467043000	1	PIN HOPPER PKD	
7	1467017000	1	WASHER THRUST GTM 2036-015 2 PCS SET	
8	1466726000	1	BEARING FLANGE IGLIDUR GSM-2022-08 PKD	
9	1467019000	1	SCREW SHOULDER 12X45 M10 2 PCS SET	
10	1466725000	1	SPACER 12.5X15X14 BLACK PLAST. PKD	
11	1467044000	3	BEARING FLANGE GFM-2427-10 PKD	
12	1467016000	1	WASHER THRUST GTM 2442-015 2 PCS SET	
13	1466727000	1	BEARING FL.IGLIDUR GFM-2427-07 2 PCS SET	



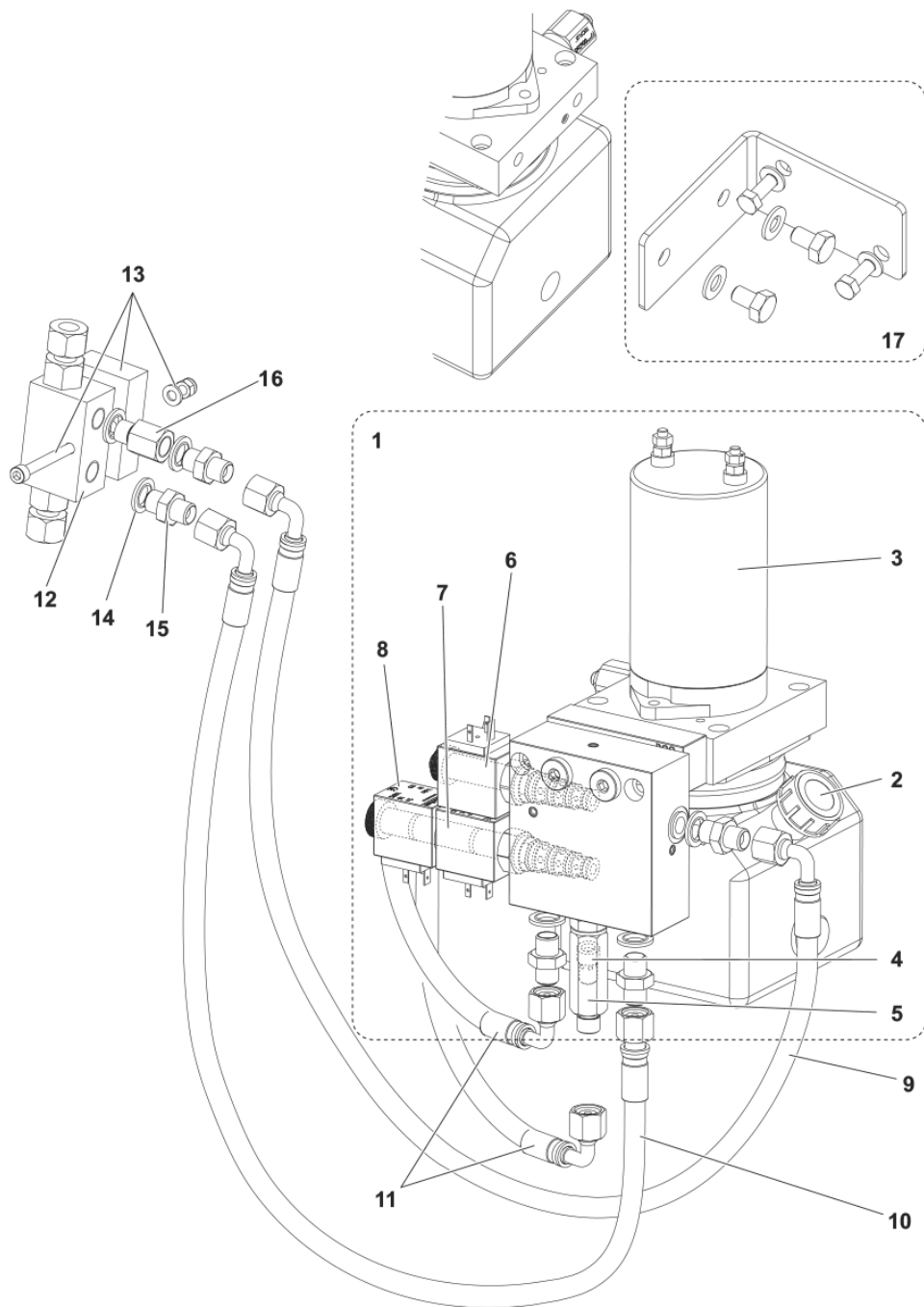
PL CYLINDERS ASSY

SW5500 B NIL

2016.03.01

2016.03.02

No.	Part No.	Qty.	Description	Part Note
1	1466790000	1	CYLINDER HYDRAULIC 40/25/470 CPL KIT	
2	1467011000	1	NIPPLE 1/4 4 PCS SET	
3	1467007000	1	SEAL BONDED 1/4 10 PCS SET	
4	1467054000	1	VALVE BLOCK PKD	
5	1466553000	1	SEAL HYDRAULIC CYLINDER 40/25/470 KIT	
6	1466723000	1	CYLINDER HYDRAULIC 25/16/120 CPL KIT	
7	1467004000	1	SEAL BONDED 1/8 10 PCS SET	
8	1467015000	1	BANJO BOLT 1/8 G 2 PCS SET	
9	1466791000	1	FITTING 1/8 GAS WITH CAIBRATED DOWEL KIT	
10	1466552000	1	SEAL HYDRAULIC CYLINDER 25/16/120 KIT	



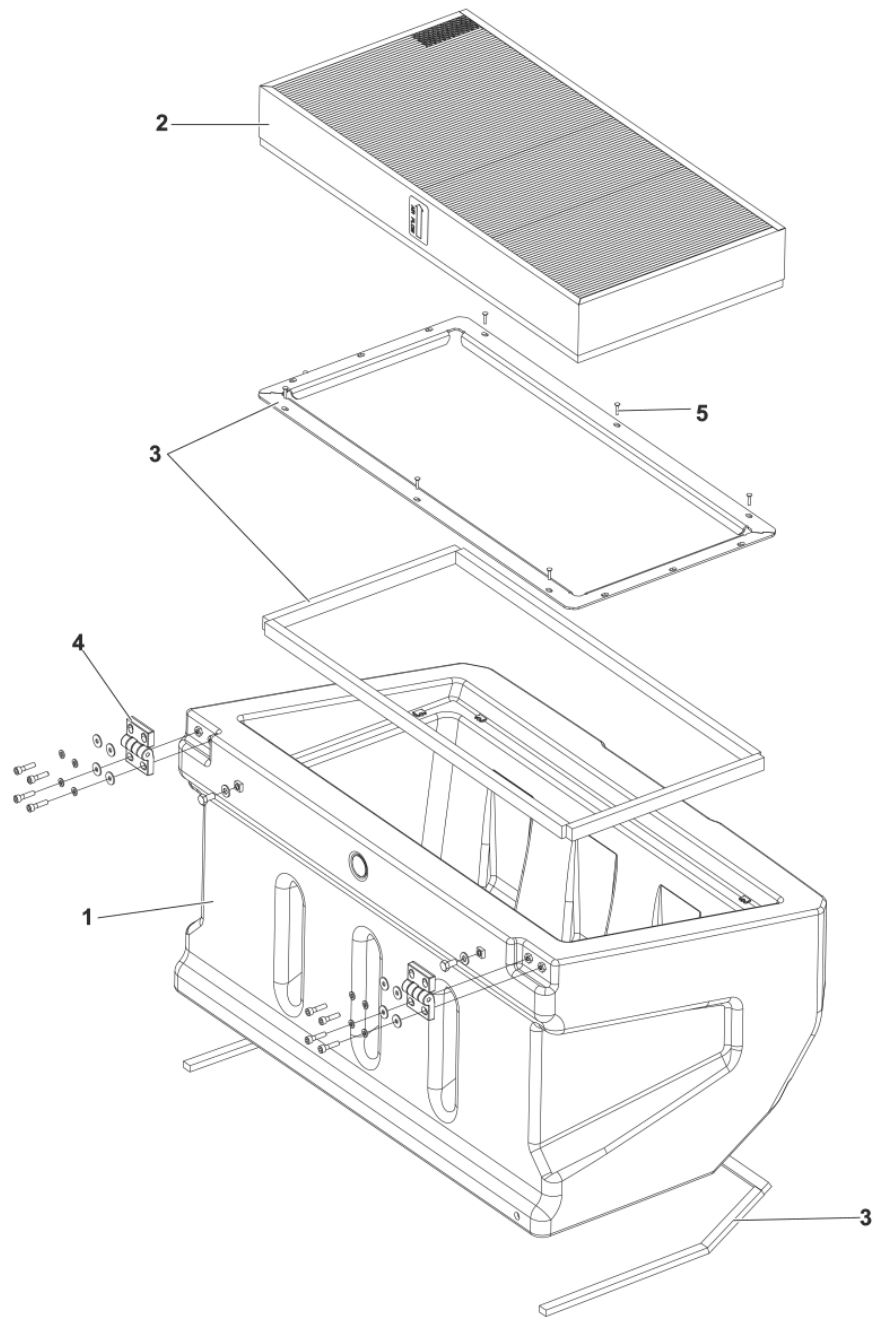
PL HYDRAULIC ASSY

SW5500 B NIL

2016.03.01

2016.03.02

No.	Part No.	Qty.	Description	Part Note
1	1466712000	1	GEARCASE HYDRAULIC 24V 800W 1CC PKD	
2	1467213000	1	CAP PRESSURE D19 PKD	
3	1467242000	1	MOTOR ELECTRIC 24V 800W PKD	
4	1467209000	1	VALVE FLOW CONTROL 5L/MIN 1/4 GAS PKD	
5	1467243000	1	STUD BOLT M/F 1/4 BSP ES. 19 PKD	
6	1467211000	1	CARTRIDGE SOLENOID VALVE 4/2 PKD	
7	1467212000	1	CARTRIDGE SOLENOID VALVE 4/3 PKD	
8	1467210000	3	SOLENOID 24V 18W N-H13 PKD	
9	1466709000	1	HOSE HYDRAULIC 1/4 R1AT L. 780MM PKD	
10	1466710000	1	HOSE HYDRAULIC 1/4 R1AT L. 680MM PKD	
11	1466711000	2	HOSE HYDRAULIC 1/4 R1AT L. 600MM PKD	
12	1467054000	1	VALVE BLOCK PKD	
13	1466707000	1	SPACER F VALVE PLASTIC BLACK KIT	
14	1467007000	1	SEAL BONDED 1/4 10 PCS SET	
15	1467011000	1	NIPPLE 1/4 4 PCS SET	
16	1467059000	1	STUD BOLT 1/4 20MM PKD	
17	1466708000	1	BRACKET MET. F HYDRAULIC GEARCASE KIT	



PL FILTER SUPPORT ASSY

SW5500 B NIL

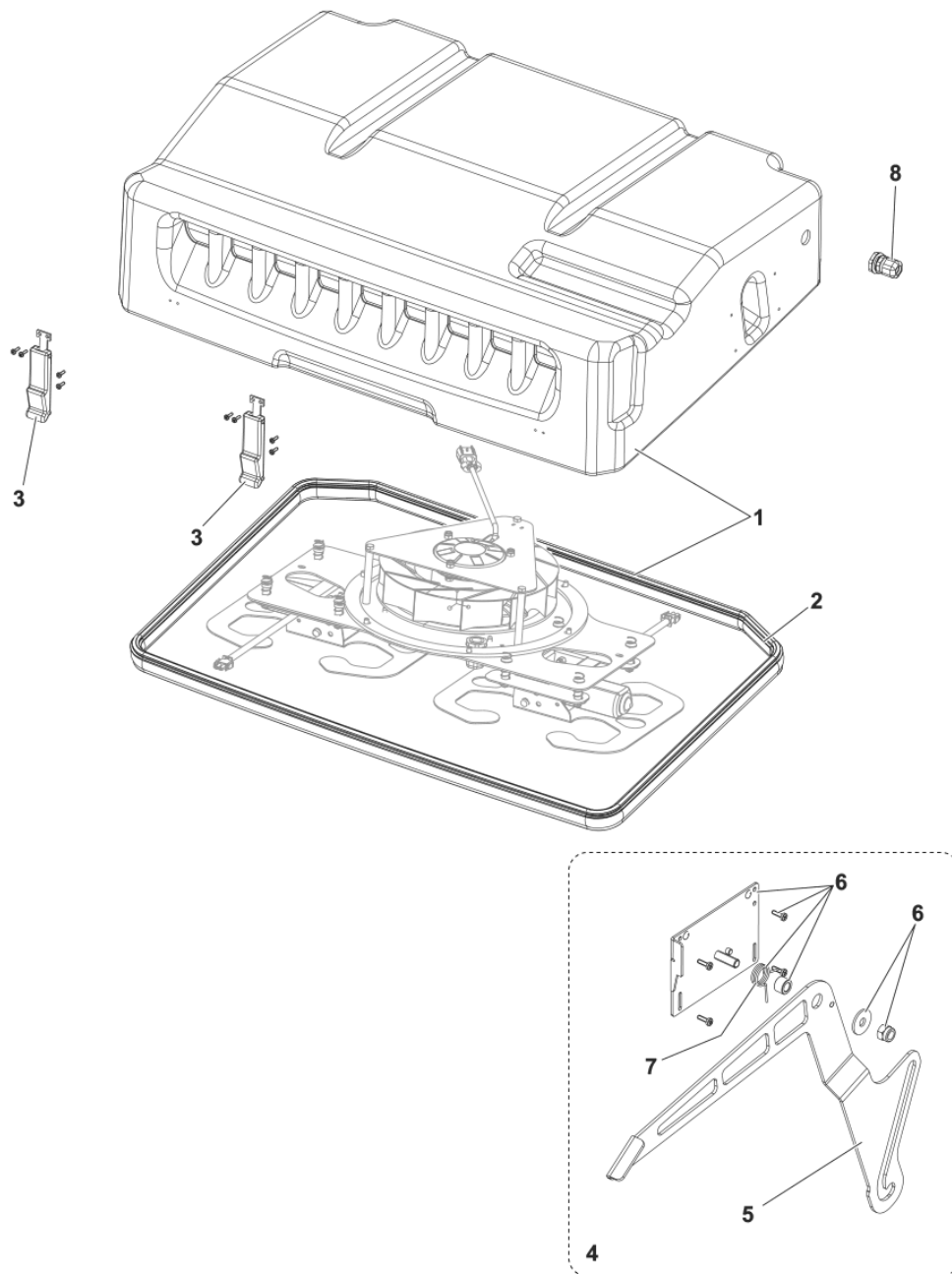
2016.03.01

2016.04.29

No.	Part No.	Qty.	Description	Part Note
1	1466835000	1	SUPPORT PLASTIC BLACK F VAC FILTER KIT	
1	1466834000	1	TANK SUPPORT PLASTIC F VAC FILTER KIT	[1]
2	1467174000	1	FILTER PANEL PAPER ULTRA WEB	
2	1467173000	1	FILTER PANEL POLYESTER ULTRA WEB	[2]
3	1466836000	1	SUPPORT PLAIN GALV. F FILTER KIT	
4	9098329000	1	HINGES KIT	
5	1466908000	1	SCREW 3.5X16 C/SUNK PHIL F PC 10 PCS SET	

Part Notes:

- [1] - ONLY FOR MODELS WITH THE DUSTGUARD KIT
- [2] - OPTIONAL



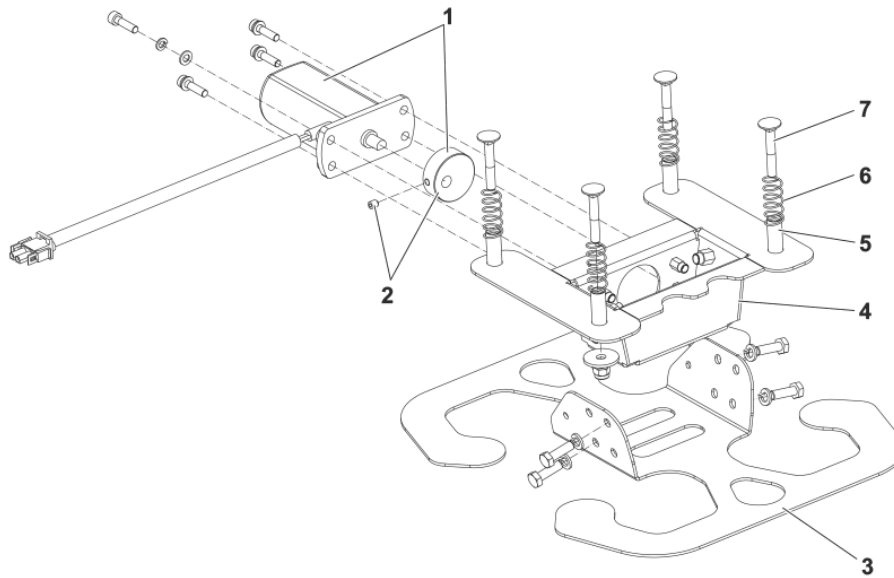
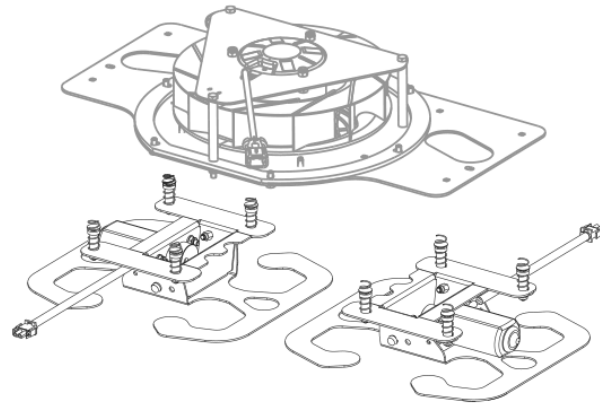
PL FAN SUPPORT ASSY

SW5500 B NIL

2016.03.01

2016.03.03

No.	Part No.	Qty.	Description	Part Note
1	1466853000	1	SUPPORT PLASTIC GREY F FAN KIT	
2	1466855000	1	GASKET BULB RUBBER L. 2390MM PKD	
3	1467042000	2	LATCH RUBBER PKD	
4	1466856000	1	LEVER F FAN HOLDER BLOCK KIT	
5	1466869000	1	LEVER GALV. F FAN HOLDER RETAINER PKD	
6	1466870000	1	PLATE GALV. F FAN HOLDER RETAINER KIT	
7	1467038000	1	PEDAL SPRING PKD	
8	9100001779	1	GLAND CABLE PLASTIC W/NUT PG13.5 PKD	



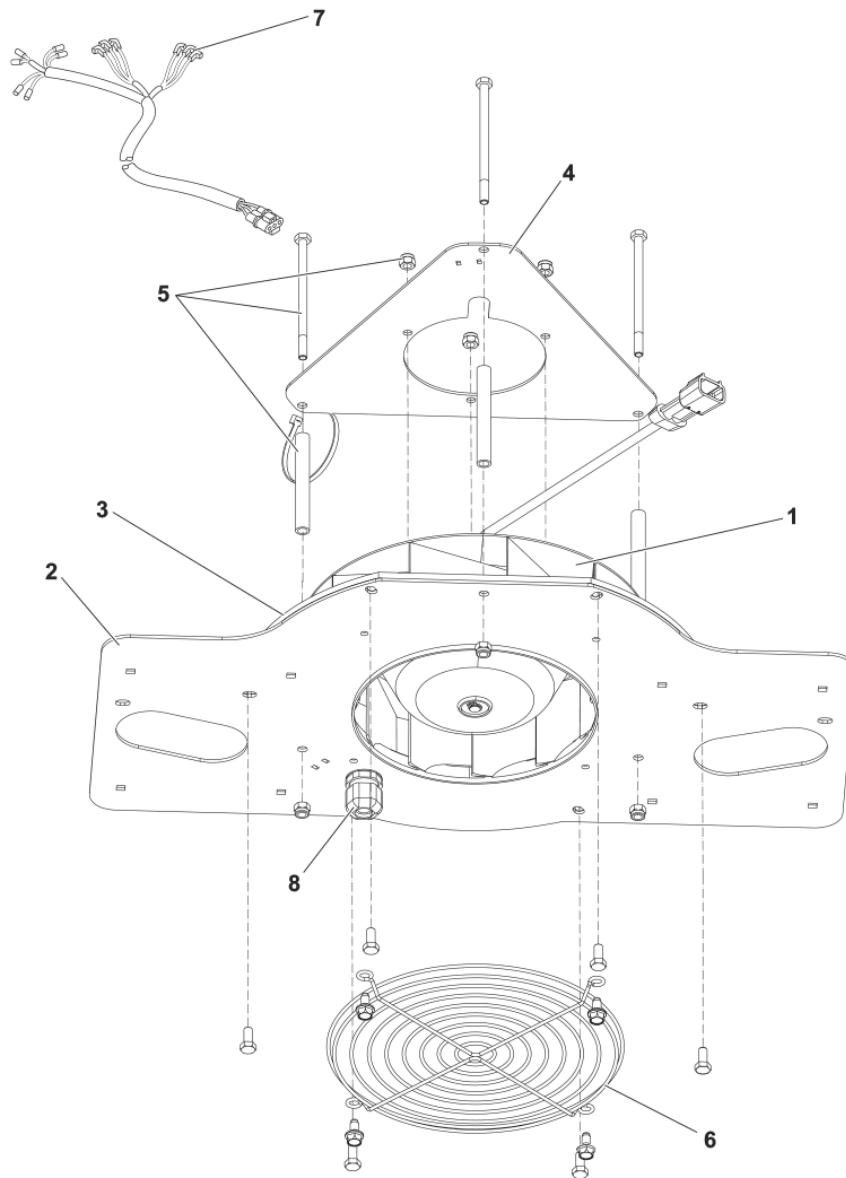
PL SHAKER FILTER ASSY

SW5500 B NIL

2016.03.01

2016.03.02

No.	Part No.	Qty.	Description	Part Note
1	1466314000	2	MOTOR FILTER SHAKER 12W 24V KIT	
2	1466857000	2	CAM F FILTER SHAKER KIT	
3	1466879000	2	BRACKET GALV. F FILTER SHAKER PKD	
4	1466878000	2	SUPPORT GALV. F FILTER SHAKER MOTOR PKD	
5	1467010000	2	SPACER 6.5X10X26 GALV. 4 PCS SET	
6	1467009000	2	SPRING 1X11.5 4 PCS SET	
7	1467003000	1	SCREW M6X40 CARR. ISO8677 10 PCS SET	



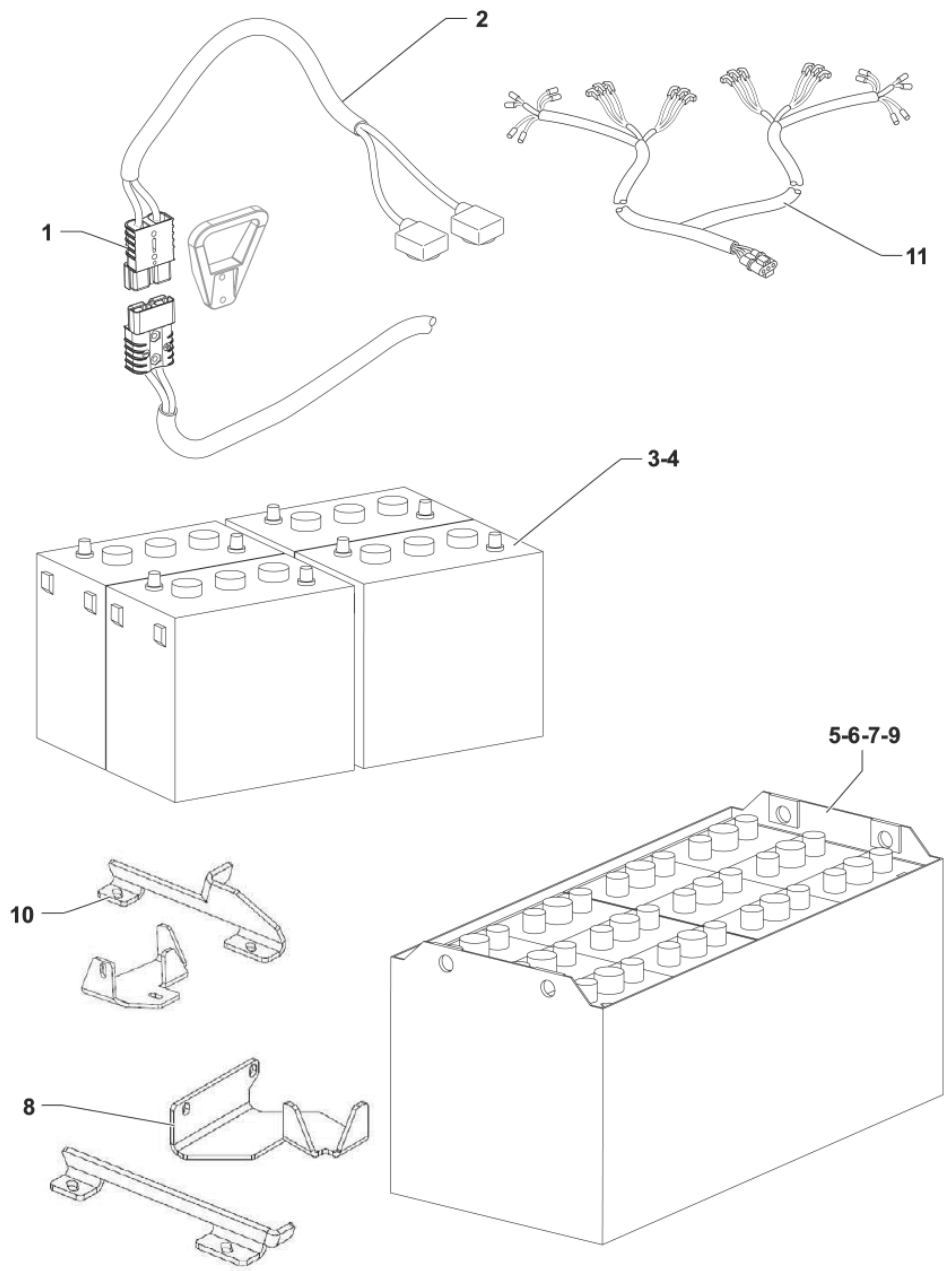
PL VACUUM FAN ASSY

SW5500 B NIL

2016.03.01

2016.03.02

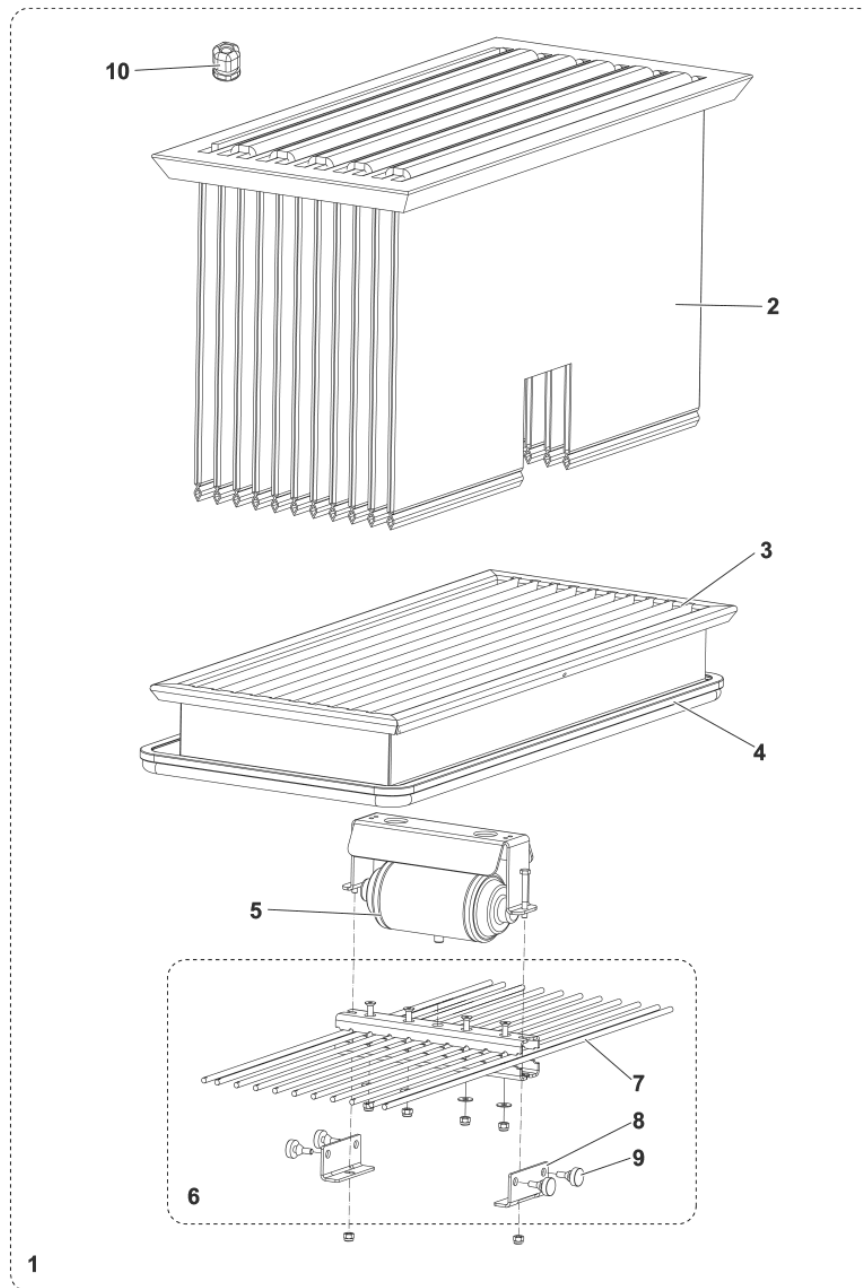
No.	Part No.	Qty.	Description	Part Note
1	1467040000	1	FAN RADIAL 24V PKD	
2	1466866000	1	PLATE GALV. F FAN AND FILTER SHAKER PKD	
3	33023192	1	GASKET MOTOR VACUUM PKD	
4	1467061000	1	SUPPORT MOTOR VACUUM PKD	
5	1466868000	1	SPACERS CPL F VAC FAN KIT	
6	33018805	1	GRILL ELECTROFAN KIT	
7	1466867000	1	HARNES F FILTER SHAKER AND FAN PKD	
8	9100001779	1	GLAND CABLE PLASTIC W/NUT PG13.5 PKD	



No.	Part No.	Qty.	Description	Part Note
1	1467029000	2	CONNECTOR 175A RED PKD	
2	1466872000	1	HARNESS F BATTERY PKD	
3*	80564100	4	BATT. 6V-240AH GEL MONOBLOC	[1]
4*	80565000	4	BATT. 6V-255AH WET SEMI T MONOBLOC	[1]
5*	80562442	1	BATT.24V-420Ah GEL Single Cells in tray	[1]
6*	80565300	1	BATTERY TRACTION 24V 330 Ah GEL	[1]
7*	80562448	1	BATT.24V-480Ah WET in tray - Aquamatic	[1]
8*	1466420000	1	BATTERY FIXING 480Ah BATTERY TRAY KIT	[1]
9*	80565200	1	BATTERY TRACTION 24V 360 Ah	[1]
10*	1465750000	1	BATTERY FIXING 360Ah BATTERY TRAY KIT	[1]
11	1466871000	1	HARNESS MACHINE BATTERY VERSION PKD	

Part Notes:

[1] - OPTIONAL



PL ACCESSORIES - FILTER POCKET

SW5500 B NIL

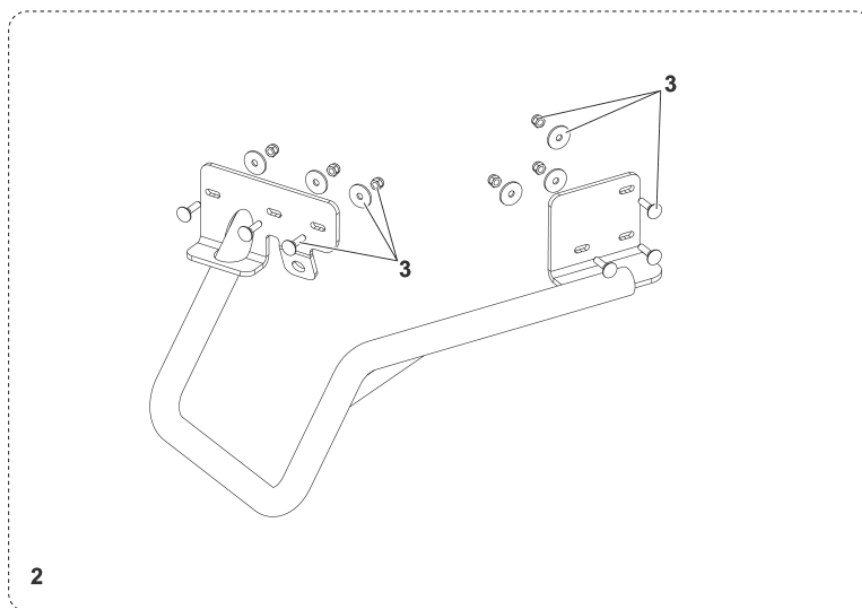
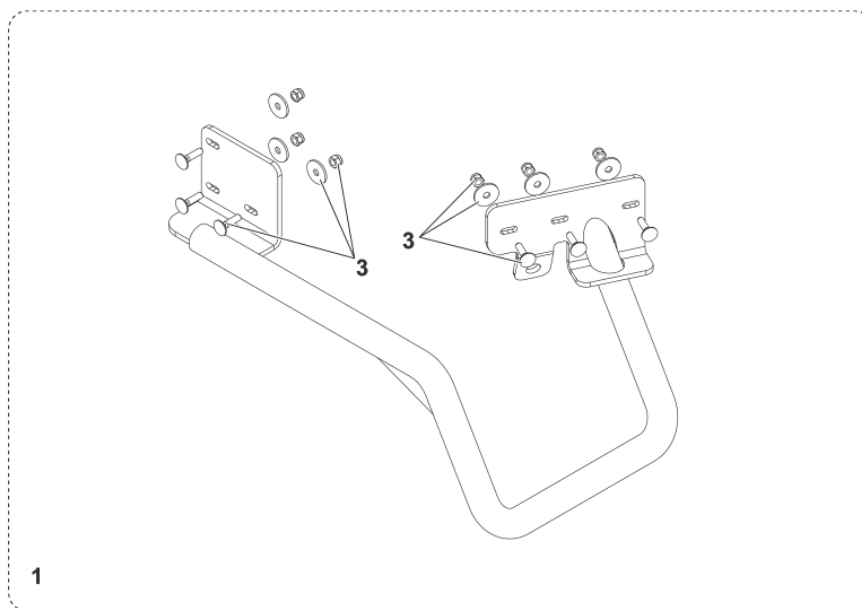
2016.03.01

2016.03.02

No.	Part No.	Qty.	Description	Part Note
1	1466885000	1	FILTER POCKET KIT	[1]
2	1466917000	1	FILTER POCKET PKD	
3	1466918000	1	FRAME MET. BLACK F POCKET FILTER PKD	
4	1466919000	1	GASKET BULB REINFORCED L.2090MM PKD	
5	146 2795 000	1	MOTOR FILTER SHAKER KIT	
6	1466922000	1	HARDWARE POCKET FILTER RODS FIXING KIT	
7	1466920000	1	ROD MET. BLACK F POCKET FILTER KIT	
8	1466921000	1	HOLDER MET. F POCKET FILTER DAMPER KIT	
9	1467006000	1	PLUG ANTI VIBRATION D.8-D.20 10 PCS SET	
10	9100001779	1	GLAND CABLE PLASTIC W/NUT PG13.5 PKD	

Part Notes:

[1] - OPTIONAL



PL ACCESSORIES - GUARD SIDE BROOM

SW5500 B NIL

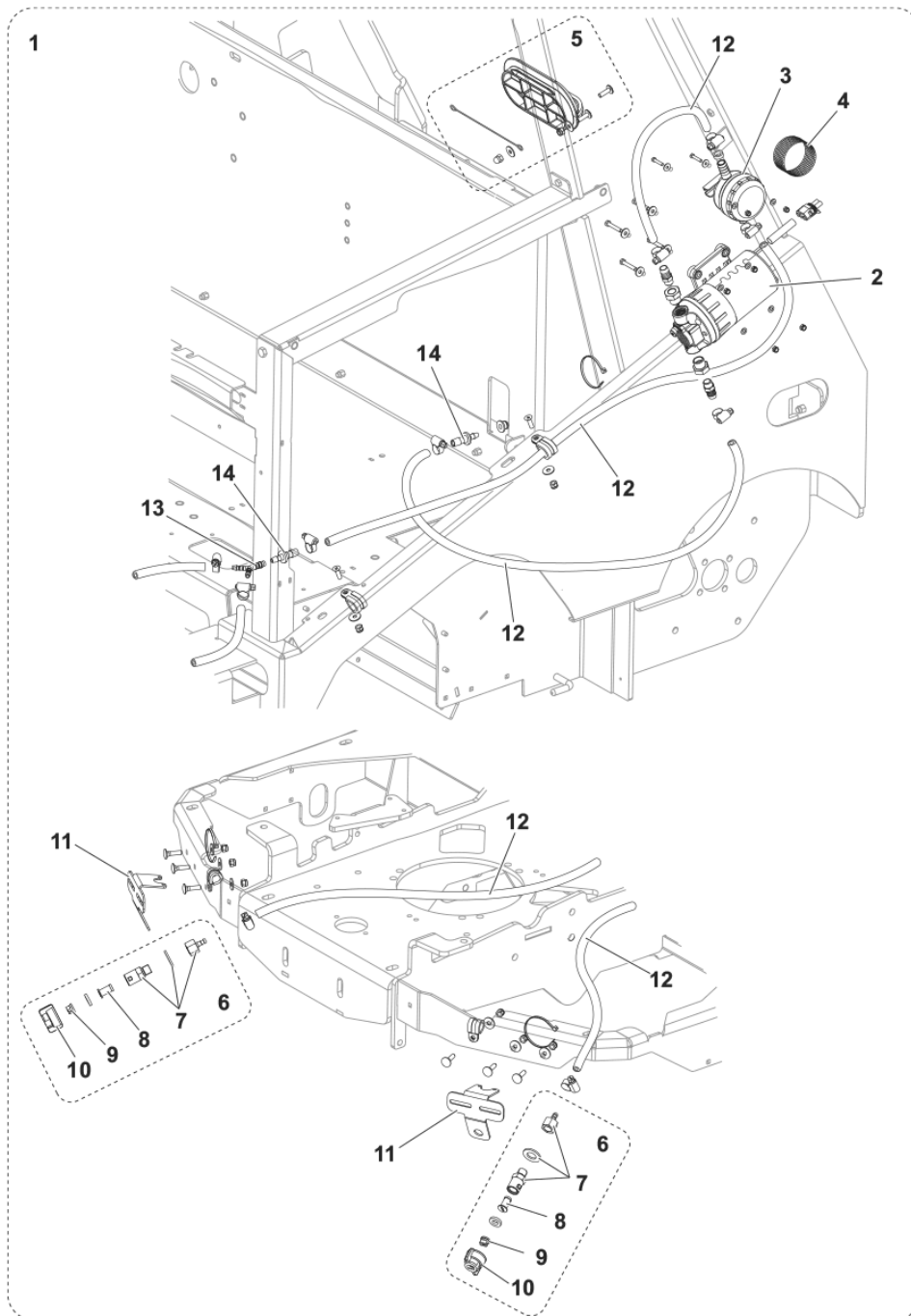
2016.03.01

2016.03.21

No.	Part No.	Qty.	Description	Part Note
1	1466891000	1	GUARD RIGHT SIDE BROOM KIT	[1]
2	1466892000	1	GUARD LEFT SIDE BROOM KIT	[1]
3	1466927000	2	HARDWARE F SIDE BROOM GUARD KIT	

Part Notes:

[1] - OPTIONAL - INST. INSTR. 1466901000



PL ACCESSORIES - DUSTGUARD

SW5500 B NIL

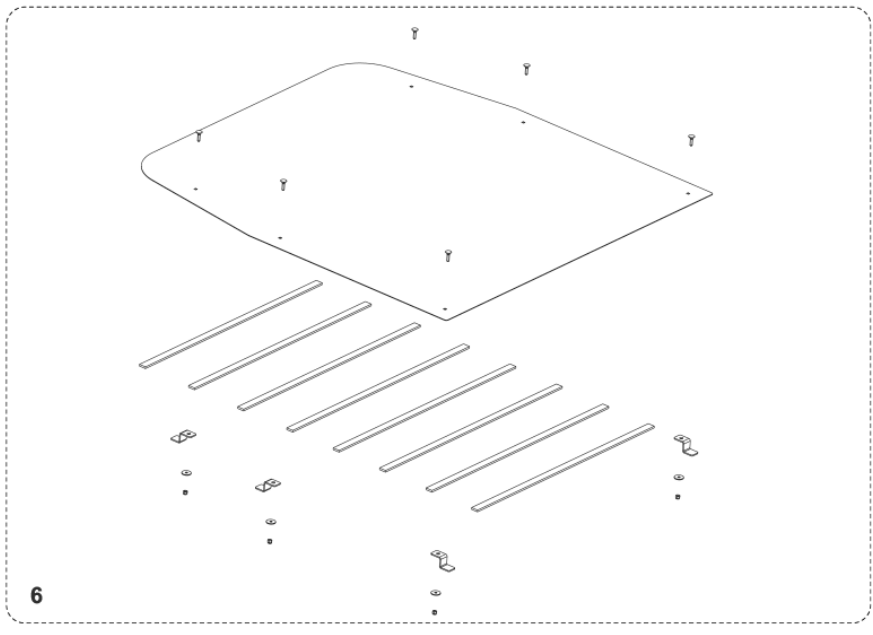
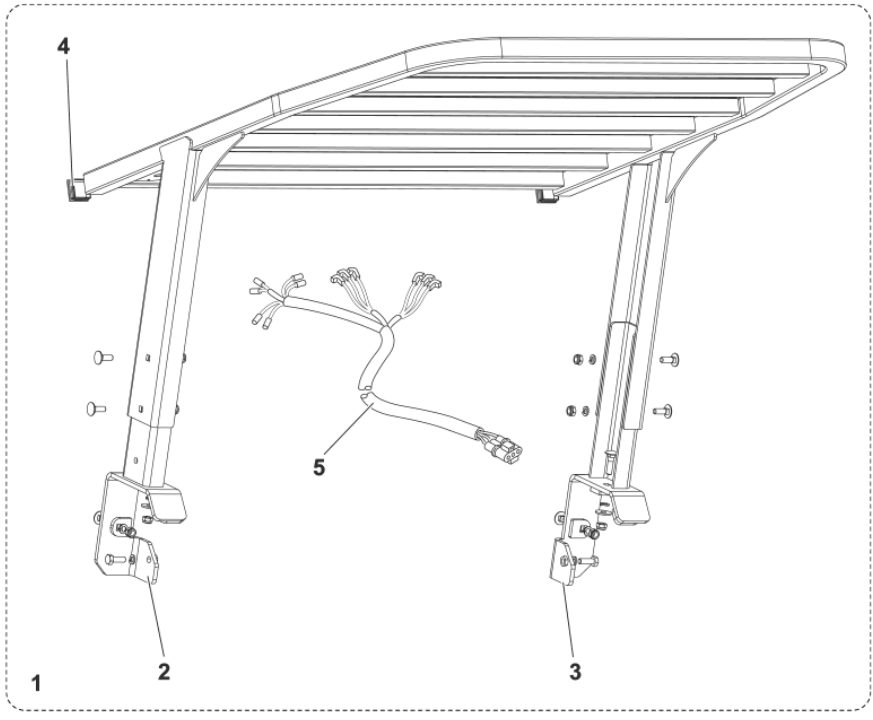
2016.03.01

2016.03.02

No.	Part No.	Qty.	Description	Part Note
1	1466890000	1	DUSTGUARD KIT	[1]
2	1465647000	1	PUMP WATER KIT	
3	9100000860	1	FILTER WATER PKD	
4	9100000861	1	NET WATER FILTER REINFORCED PKD	
5	1465355000	1	CAP SOLUTION TANK KIT	
6	33019324	2	NOZZLE SPRAY KIT	
7	33020865	2	ADAPTER SPRAY KIT	
8	1467245000	2	CHECK VALVE FILTER PKD	
9	1467246000	2	NOZZLE SPRAY D. 0.33 S.S. PKD	
9	1467247000	2	NOZZLE SPRAY D. 0.53 BRASS PKD	
10	1467248000	2	RING NUT QUICK COUPLING PKD	
11	1467177000	2	SUPPORT GALV. F NOZZLE PKD	
12	1467178000	1	HOSES F DUSTGUARD KIT	
13	1467179000	1	ELBOW Y D.6-8-6 2 PCS SET	
14	1467180000	2	FITTING STRAIGHT REDUCER 4 PCS SET	

Part Notes:

[1] - OPTIONAL - INST. INSTR. 1466900000



PL ACCESSORIES - GUARD OVERHEAD - CANOPY FOR OHG

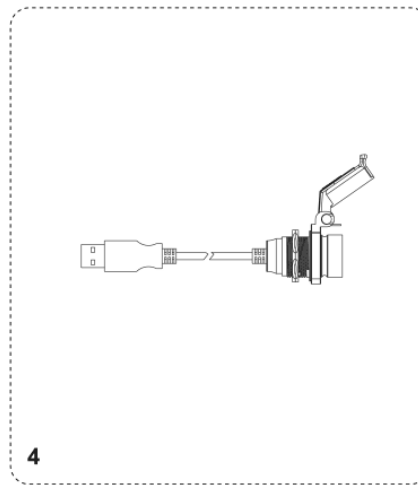
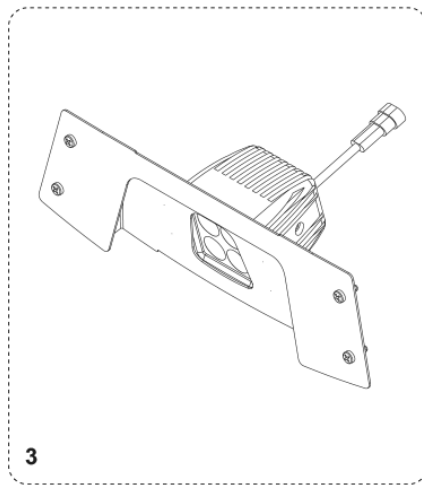
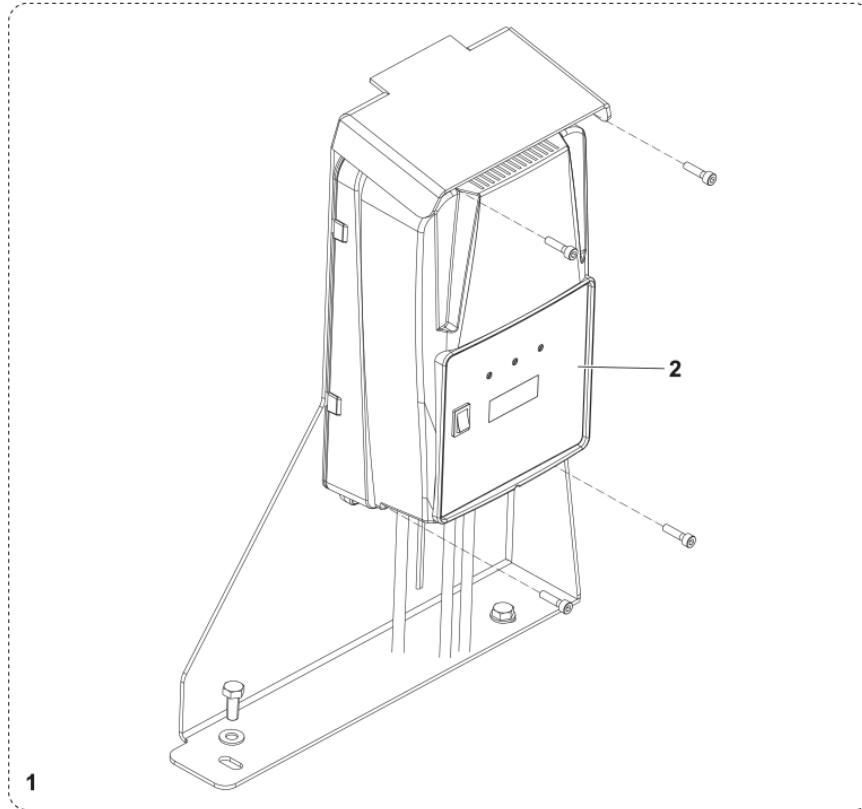
SW5500 B NIL

2016.03.01
2016.03.02

No.	Part No.	Qty.	Description	Part Note
1	1466096000	1	GUARD OVERHEAD KIT	[1]
2	1466924000	1	SUPPORT RT F OHG MET. BLACK PKD	
3	1466926000	1	SUPPORT LT F OHG MET. BLACK PKD	
4	1467084000	1	CAP SQUARE 40X40 2 PCS SET	
5	1466925000	1	HARNESS F OHG PKD	
6	1466886000	1	CANOPY FOR OHG KIT	[2]

Part Notes:

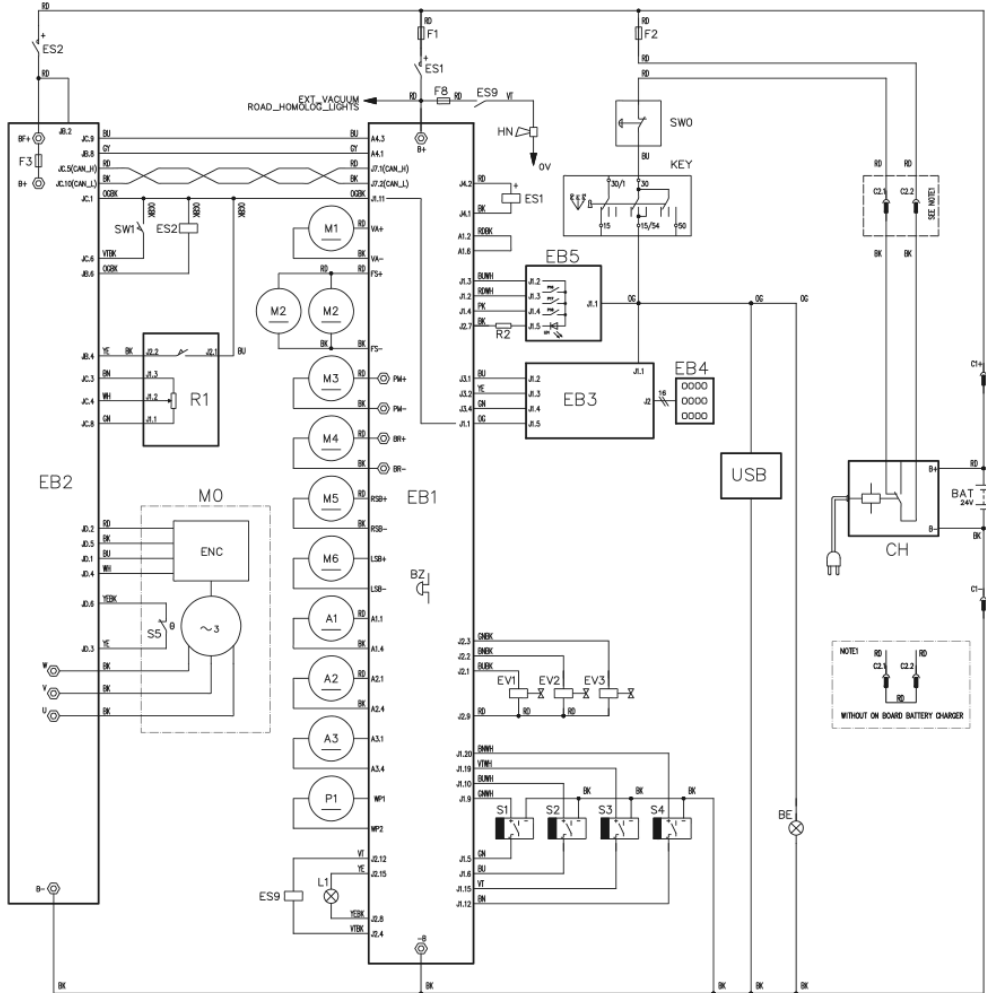
- [1] - OPTIONAL - INST. INSTR. 1466894000
- [2] - OPTIONAL - INST. INSTR. 1466895000



No.	Part No.	Qty.	Description	Part Note
1	1466893000	1	CHARGER BATT. ONBOARD KIT 24V-40A 230V	[1]
2	1466923000	1	CHARGER ON BOARD 24V 40A 230V PKD	
3	1466889000	1	LIGHT FRONT KIT	[2]
4	1466247000	1	USB PORT KIT	[3]
5	1466947000	1	CABLE POWER SUPPLY UK L.3000MM PKD	[4]
6	1466318000	1	CABLE EXTENSION UK PLUG L.2000MM PKD	[4]
7	9100000787	1	CABLE EXTENSION EU PLUG L.2000 PKD	[4]

Part Notes:

- [1] - OPTIONAL - INST. INTR. 1466904000
- [2] - OPTIONAL - INST. INTR. 1466899000
- [3] - OPTIONAL - INST. INTR. 1466896000
- [4] - OPTIONAL - NOT SHOWN



PL WIRING DIAGRAM BATTERY

SW5500 B NIL

2016.03.01

2016.03.14

No.	Part No.	Qty.	Description	Part Note
A1	1466663000		ACTUATOR LINEAR 24V DC STRK 45MM PKD	
A2	1466663000		ACTUATOR LINEAR 24V DC STRK 45MM PKD	
A3	1466663000		ACTUATOR LINEAR 24V DC STRK 45MM PKD	
BE	1464948000		BEACON KIT	
C1	1467029000		CONNECTOR 175A RED PKD	
C2	1467029000		CONNECTOR 175A RED PKD	
CH	1466893000		CHARGER BATT. ONBOARD KIT 24V-40A 230V	
EB1	1466647000		CONTROLLER MAIN MACHINE PKD	
EB2	1466649000		CONTROLLER DRIVE WHEEL 24V 240A A.C. PKD	
EB3	1466681000		CONTROLLER DISPLAY PKD	
EB4	1466679000		DASHBOARD CONTROL PANEL BLUE PKD	
EB4	1466680000		DASHBOARD CONTROL PANEL BLACK PKD	
EB5	1466684000		DASHBOARD SIDE CONTROL PANEL PKD	
EB5	1466686000		DASHBOARD SIDE CONTROL PANEL BLACK PKD	
ES1	1466645000		CONTACTOR 24V 100A PKD	
ES2	1466644000		CONTACTOR 24V 200A PKD	
F1	1466652000		FUSE BOLT DOWN 150A PKD	
F2	1467034000		FUSE BLADE 10A PKD	
F3	1467241000		FUSE BOLT-DOWN 160A PKD	
HN	1467032000		HORN 24V PKD	
KEY	33020442		KEY STARTER SWITCH W/SPARE KEY KIT	
L1	1466889000		LIGHT FRONT KIT	
M0	1466461000		MOTOR AC 24V 1.2KW	
M1	1467040000		FAN RADIAL 24V PKD	
M2	1466314000		MOTOR FILTER SHAKER 12W 24V KIT	
M3	1466712000		GEARCASE HYDRAULIC 24V 800W 1CC PKD	
M4	1466946000		MOTOR 24V 1250W 3800 RPM IP44 MP80L KIT	
M5	1466668000		MOTOR GEARBOX 24VDC 120W RT BROOM PKD	
M6	1466674000		MOTOR GEARBOX 24VDC 120W LT BROOM PKD	
R1	1466589000		PEDAL ELECTRONIC ACCELERATOR KIT	
S1	1467062000		SWITCH BACK UP PROXIMITY PKD	
S2	1467062000		SWITCH BACK UP PROXIMITY PKD	
S3	1467062000		SWITCH BACK UP PROXIMITY PKD	
S4	1467062000		SWITCH BACK UP PROXIMITY PKD	
SW0	1466683000		SWITCH EMERGENCY KIT	
SW1	1467028000		SEAT PKD	
USB	1466247000		USB PORT KIT	

No.	Part No.	Qty.	Description	Part Note
EOM	1466647000	1	CONTROLLER MAIN MACHINE PKD	
EOM	1466649000	1	CONTROLLER DRIVE WHEEL 24V 240A A.C. PKD	
EOM	1466652000	1	FUSE BOLT DOWN 150A PKD	
EOM	1466653000	1	PEDAL F BRAKE KIT	
EOM	1466655000	1	WIRE F RT BRAKE PKD	
EOM	1466656000	1	WIRE F LT BRAKE PKD	
EOM	1466658000	1	WIRE PRIMARY BRAKE PKD	
EOM	1466663000	1	ACTUATOR LINEAR 24V DC STRK 45MM PKD	
EOM	1466668000	1	MOTOR GEARBOX 24VDC 120W RT BROOM PKD	
WEAR	1466670000	1	BROOM SIDE 302X500 PPL 1.5 BLACK	
EOM	1466674000	1	MOTOR GEARBOX 24VDC 120W LT BROOM PKD	
EOM	1466681000	1	CONTROLLER DISPLAY PKD	
EOM	1466691000	1	GEAR BOX 7.5/1 71 B14 PKD	
EOM	1466697000	1	TIE-ROD METALLIC F BROOM SPRING PKD	
EOM	1466701000	1	KNOB LOBES M10 F W/ ORANGE CAP PKD	
EOM	1466712000	1	GEARCASE HYDRAULIC 24V 800W 1CC PKD	
EOM	1466723000	1	CYLINDER HYDRAULIC 25/16/120 CPL KIT	
EOM	1466724000	1	BLOCK PLASTIC F LIFTING ARM GUIDE PKD	
EOM	1466790000	1	CYLINDER HYDRAULIC 40/25/470 CPL KIT	
EOM	1466856000	1	LEVER F FAN HOLDER BLOCK KIT	
EOM	1466859000	1	HUB F SIDE BROOM PKD	
WEAR	1466860000	1	WHEELS SOLID 4.00-8 CPL KIT	
EOM	1466861000	1	CAM PLASTIC F HOPPER POSITIONING KIT	
EOM	1466862000	1	GASKET DOUBLE BULB RUBBER L.2020MM PKD	
EOM	1466879000	2	BRACKET GALV. F FILTER SHAKER PKD	
WEAR	1466936000	1	BROOM SIDE 302X500 MIX STEEL	
EOM	1466946000	1	MOTOR 24V 1250W 3800 RPM IP44 MP80L KIT	
EOM	1467009000	2	SPRING 1X11.5 4 PCS SET	
EOM	1467023000	1	HUB LEFT MAIN BROOM PKD	
EOM	1467024000	1	SPRING PKD	
EOM	1467030000	1	BEARING BALL 6003 2RS PKD	
EOM	1467034000	1	FUSE BLADE 10A PKD	
EOM	1467036000	2	KNOB LOBES M10 FEMALE PKD	
EOM	1467039000	1	SPRING TRACTION CARBON STEEL PKD	
EOM	1467040000	1	FAN RADIAL 24V PKD	
EOM	1467042000	1	LATCH RUBBER PKD	
EOM	1467046000	1	SPRING BRAKE PKD	
EOM	1467054000	1	VALVE BLOCK PKD	
EOM	1467056000	1	HUB MAIN BROOM PKD	
EOM	1467062000	2	SWITCH BACK UP PROXIMITY PKD	
WEAR	1467066000	1	SHOE BRAKE PKD	
WEAR	1467069000	1	ROLLER SIDE BLADE PKD	
EOM	1467070000	1	PIN D.10 BROOM LOCKING PKD	
EOM	1467071000	1	SPRING PKD	
WEAR	1467076000	1	BROOM SIDE 302X500 MIX 5	
EOM	1467209000	1	VALVE FLOW CONTROL 5L/MIN 1/4 GAS PKD	
EOM	1467210000	1	SOLENOID 24V 18W N-H13 PKD	
EOM	1467211000	1	CARTRIDGE SOLENOID VALVE 4/2 PKD	
EOM	1467212000	1	CARTRIDGE SOLENOID VALVE 4/3 PKD	
EOM	1467213000	1	CAP PRESSURE D19 PKD	
EOM	1467214000	1	CAP F MP80L MOTOR BRUSHES PKD	
EOM	1467215000	1	CAP F MOTOR BRUSHES PKD	
EOM	1467241000	1	FUSE BOLT-DOWN 160A PKD	
EOM	1467242000	1	MOTOR ELECTRIC 24V 800W PKD	
EOM	9098329000	1	HINGES KIT	
WEAR	1467083000	2	CARBON BRUSH 2 PCS SET	
WEAR	L08603949	1	CARBON BRUSHES SET 4 PCS	
EOM	1466679000	1	DASHBOARD CONTROL PANEL BLUE PKD	

PL RECOMMENDED SW5500 B

SW5500 B NIL

2016.03.14

2016.04.21

No.	Part No.	Qty.	Description	Part Note
EOM	1467243000	1	STUD BOLT M/F 1/4 BSP ES. 19 PKD	

