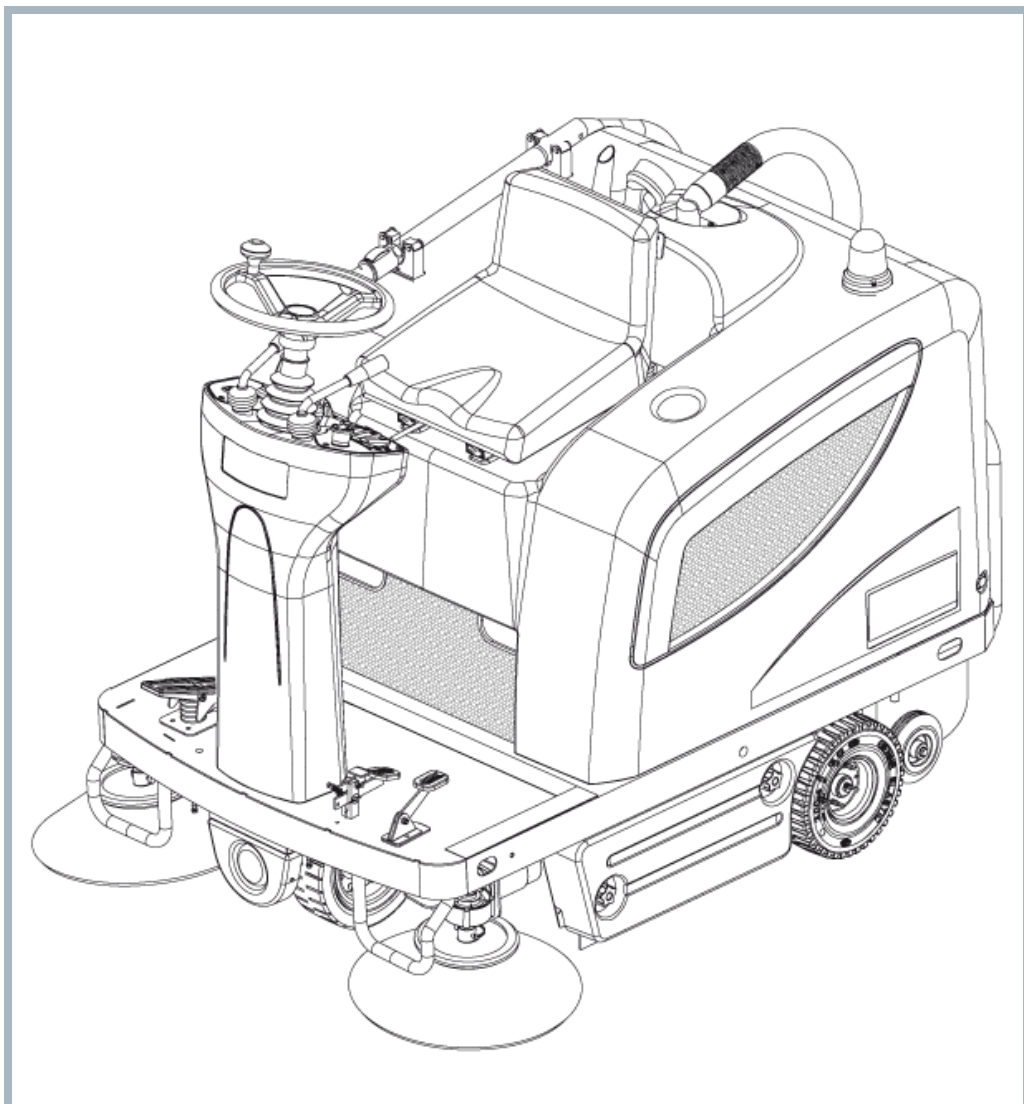


# SR 1101 B

---

Model:  
SR 1101 B



Part List English

06-06-2014

# Nilfisk

[www.nilfisk.com](http://www.nilfisk.com)

# Table of Contents

SR 1101 B

<b>GENERAL VIEW</b>	<b>3</b>
<b>CHASSIS ASSEMBLY 1</b>	<b>5</b>
<b>CHASSIS ASSEMBLY 2</b>	<b>7</b>
<b>BONNET SYSTEM</b>	<b>9</b>
<b>MAIN BROOM ASSEMBLY</b>	<b>11</b>
<b>RIGHT SIDE BROOM ASSY</b>	<b>13</b>
<b>LEFT SIDE BROOM ASSY</b>	<b>15</b>
<b>STEERING SYSTEM</b>	<b>17</b>
<b>FRONT WHEEL</b>	<b>19</b>
<b>PEDAL ASSEMBLIES 1</b>	<b>21</b>
<b>PEDAL ASSEMBLIES 2</b>	<b>23</b>
<b>CONTROL PANELS SYSTEM</b>	<b>25</b>
<b>DRIVE SYSTEM</b>	<b>27</b>
<b>DUST CONTROL SYSTEM</b>	<b>29</b>
<b>WASTE CONTAINER ASSEMBLY</b>	<b>31</b>
<b>ELECTRICAL COMPONENTS 1</b>	<b>33</b>
<b>ELECTRICAL COMPONENTS 2</b>	<b>35</b>
<b>KIT VACUUM CLEANER</b>	<b>37</b>
<b>KIT WORKING LIGHT - BATTERY CHARGER</b>	<b>39</b>
<b>KIT FLASHING BEACON - BROOM BUMPER - OVERHEAD GUARD</b>	<b>41</b>
<b>RECOMMENDED SPARE PARTS</b>	<b>43</b>

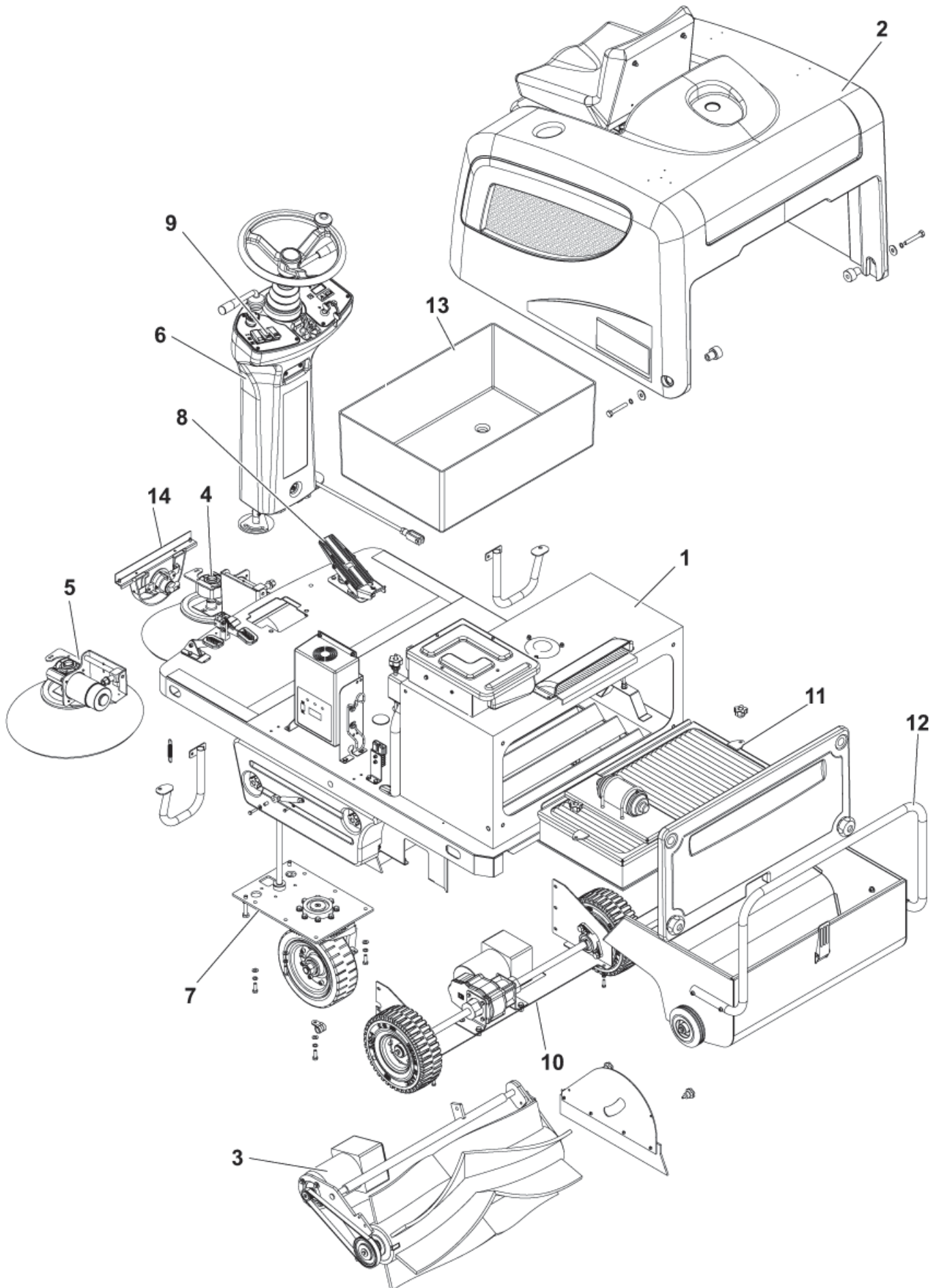
# GENERAL VIEW

SR 1101 B

06-06-2014

Part List ID  
SR1101B0000

3



# GENERAL VIEW

SR 1101 B

06-06-2014

Part List ID  
SR1101B0000

4

Pos	Part no.	Qty	Description
1		1	USE LINK
2		1	USE LINK
3		1	USE LINK
4		1	USE LINK
5		1	USE LINK
6		1	USE LINK
7		1	USE LINK
8		1	USE LINK
9		1	USE LINK
10		1	USE LINK
11		1	USE LINK
12		1	USE LINK
13		1	USE LINK
14		1	USE LINK

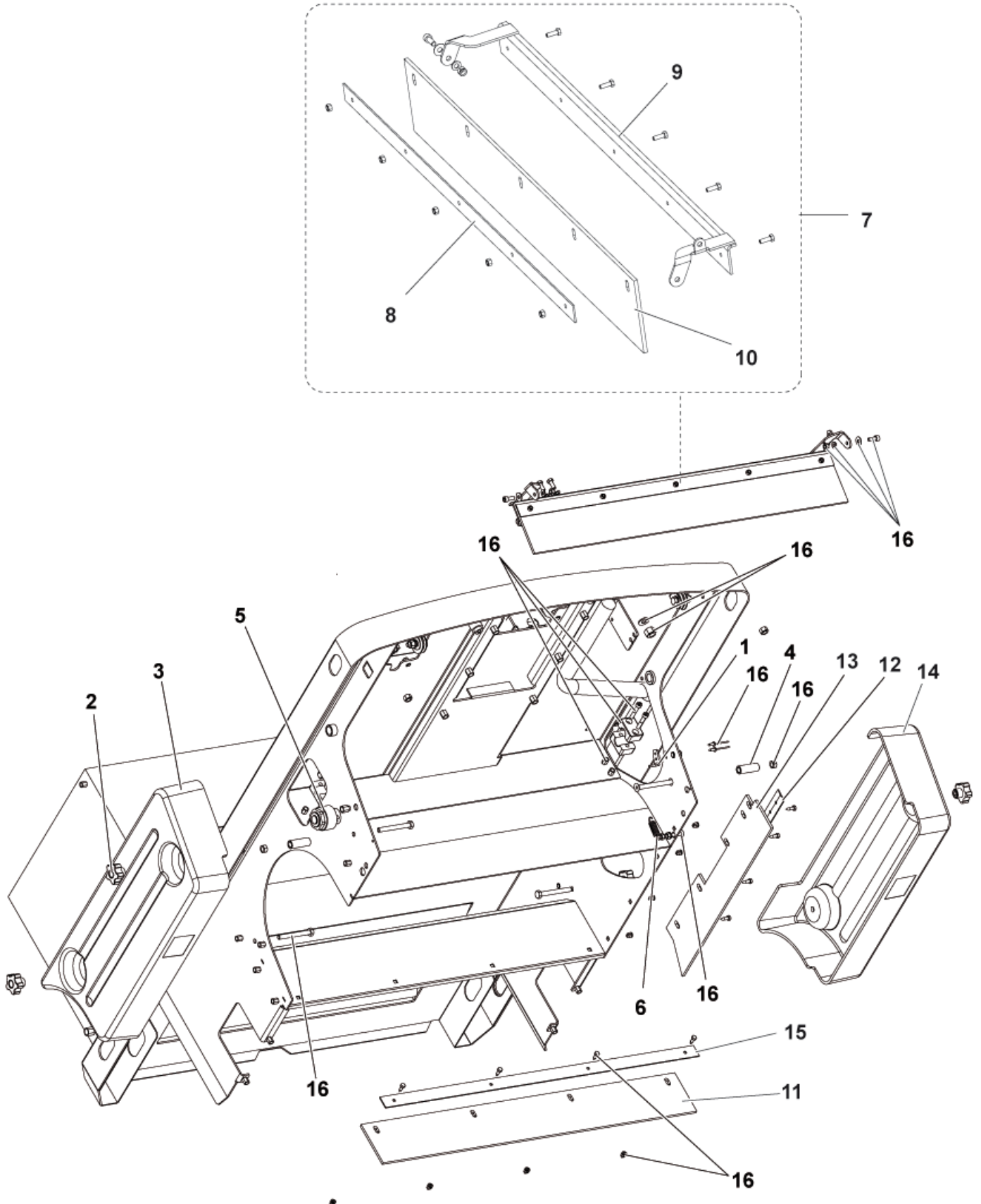
# CHASSIS ASSEMBLY 1

SR 1101 B

06-06-2014

Part List ID  
SR1101B0020

5



# CHASSIS ASSEMBLY 1

SR 1101 B

06-06-2014

Part List ID  
SR1101B0020

6

Pos	Part no.	Qty	Description	
0	146 2744 000	1	SKIRTS NON MARKING KIT	OPTIONAL
1	145 5126 000	1	BRACKET	
2	146 1851 000	4	KNOB M8	
3	146 2210 000	1	HATCH RIGHT	
4	146 2426 000	4	SPACER 9X15X42.2	
5	146 2487 000	1	BUZZER 5-32V	
6	145 9579 000	1	Spring	
7	1464098000	1	SKIRT RAISING DEVICE KIT	
8	145 1970 000	1	PLATE FRONT	
9	1464061000	1	SKIRT RAISING DEVICE	
10	1464062000	1	skirt front	
11	145 1971 000	1	Rear flap	
12	145 5929 000	1	SIDE FLAP PLATE	
13	145 5927 000	1	SIDE FLAP	
14	146 2209 000	1	HATCH LEFT	
15	145 1972 000	1	PLATE REAR SKIRT	
16	1464097000	1	HARDWARE FRAME LOWER KIT	

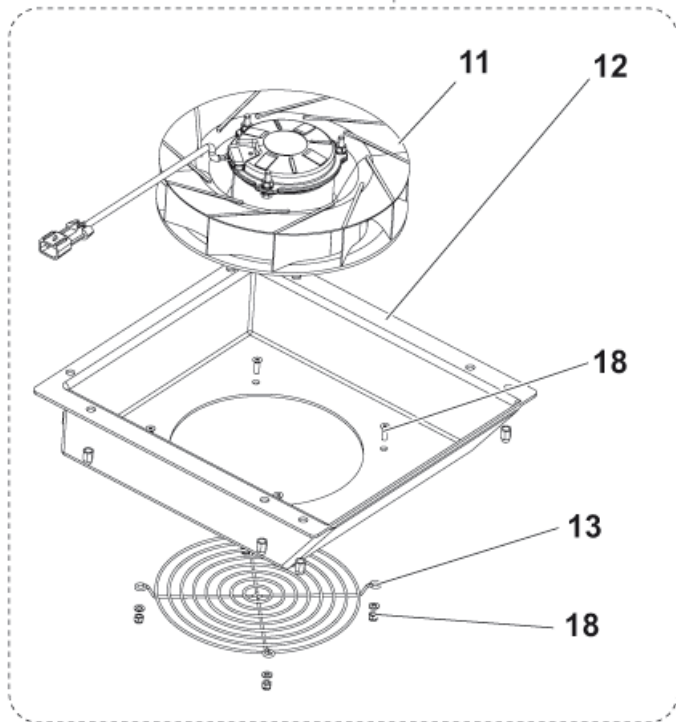
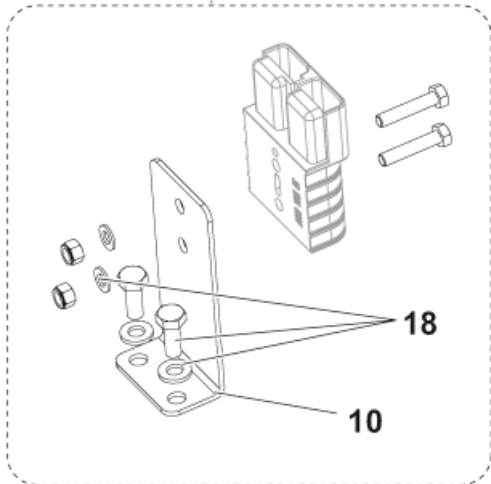
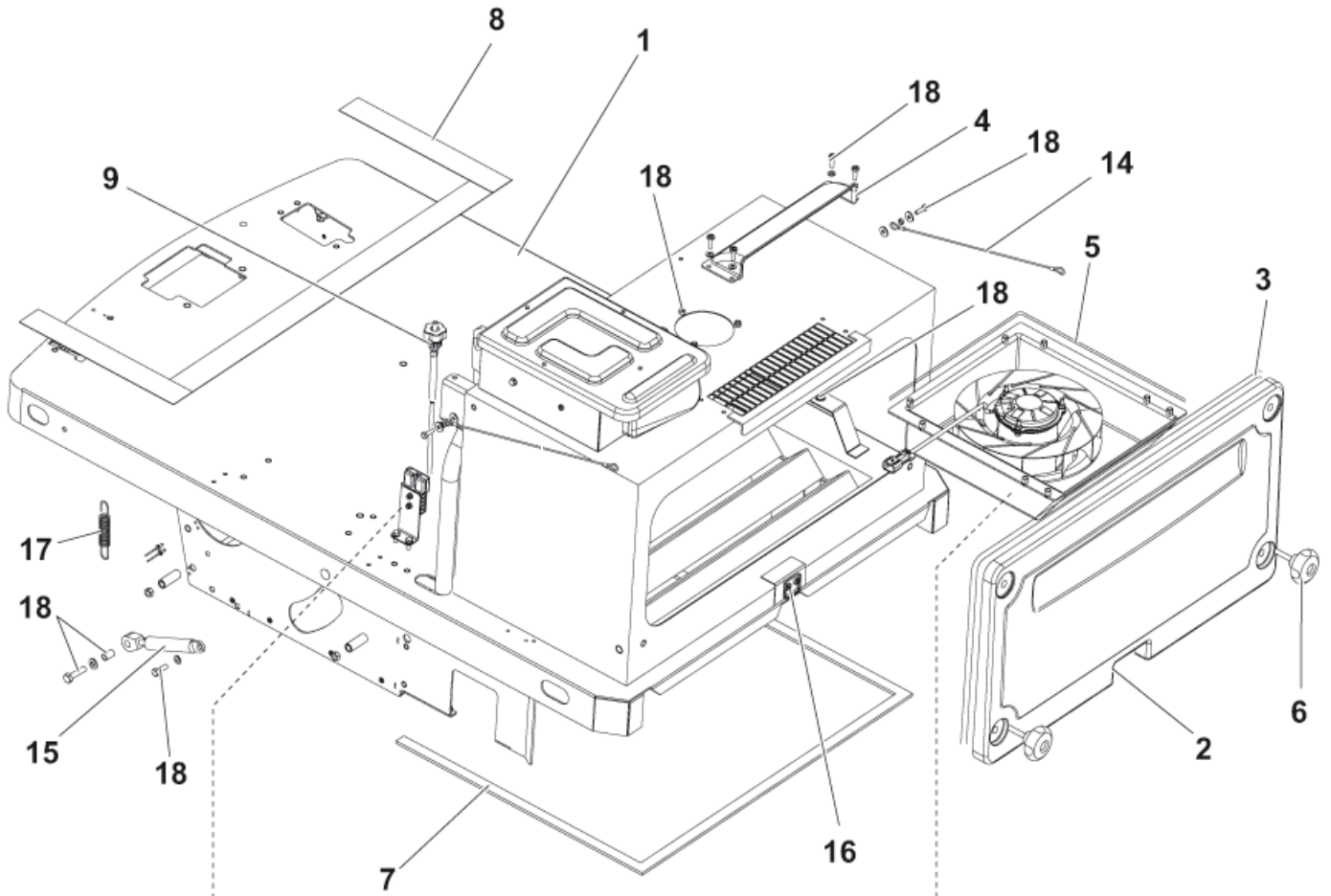
# CHASSIS ASSEMBLY 2

SR 1101 B

06-06-2014

Part List ID  
SR1101B0040

7



# CHASSIS ASSEMBLY 2

SR 1101 B

06-06-2014

Part List ID  
SR1101B0040

8

Pos	Part no.	Qty	Description
1	1463946000	1	CHASSIS
2	146 2211 000	1	HATCH FILTER
3	146 0630 000	1	GASKET L1800
4	1463218000	1	CONVEYOR
5	1463173000	4	GASKET CONVEYOR
6	146 2427 000	2	KNOB M8 X 30
7	1463977000	1	GASKETS HOPPER KIT
8	146 2798 000	1	TAPE ADHESIVE ANTISLIP KIT
9	1463959000	1	CABLE MAIN BROOM
10	146 2384 000	1	BRACKET
11	1463146000	1	MOTOR VACUUM 24V
12	1463217000	1	CONVEYOR
13	1463182000	1	GRATE PROTECTION
14	L08812362	2	Rope
15	1463147000	1	SPRING GAS
16	145 9333 000	1	Clamp plate
17	145 9184 000	2	Spring
18	1464099000	1	CHASSIS



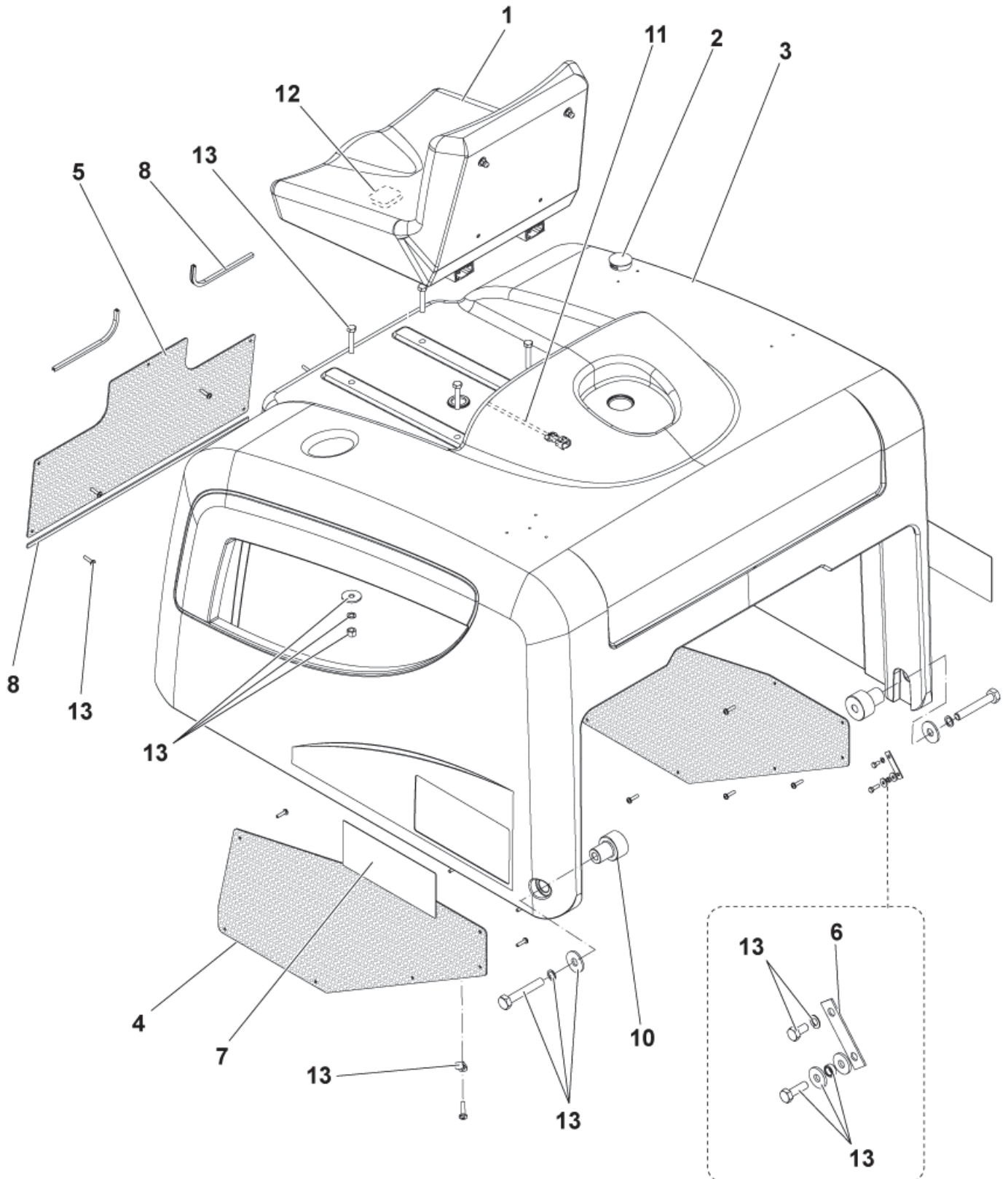
# BONNET SYSTEM

SR 1101 B

06-06-2014

Part List ID  
SR1101B0060

9



# BONNET SYSTEM

SR 1101 B

06-06-2014

Part List ID  
SR1101B0060

10

Pos	Part no.	Qty	Description
1	145 1782 000	1	microswitch seat
1	146 2900 000	1	SEAT WITH BELT SR1101 OPTIONAL
2	145 9835 000	1	CAP D.38.1
3	146 2208 000	1	BONNET SEAT HOLD
4	146 2421 000	2	GRATE SIDE
5	146 2422 000	1	GRATE FRONT
6	146 2424 000	2	PLATE CABLE FIXING
7	1463995000	1	DECALS SR 1101 B KIT
8	146 2801 000	1	GASKET RUBBER FOR BONNET KIT
9	146 2803 000	1	GASKET RUBBER L.500MM
10	146 2423 000	2	PIN
11	146 2488 000	1	HARNESS BONNET
12	146 0336 000	1	Micro switch
13	1464290000	1	HARDWARE BONNET SYST KIT

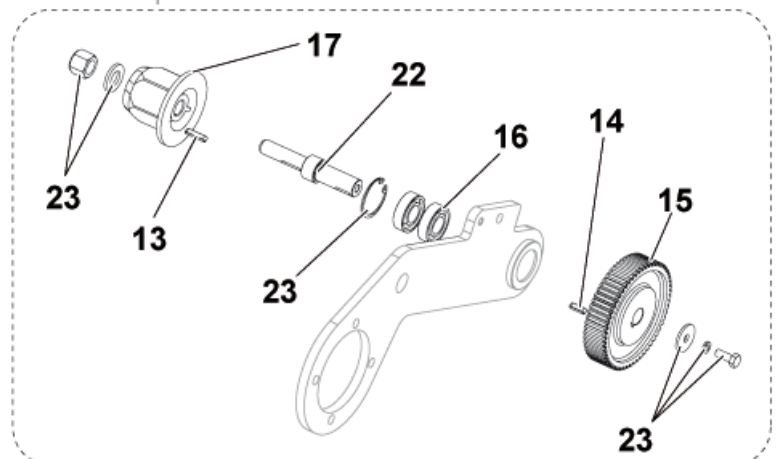
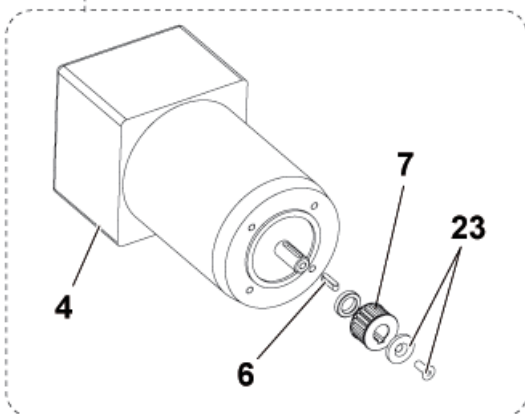
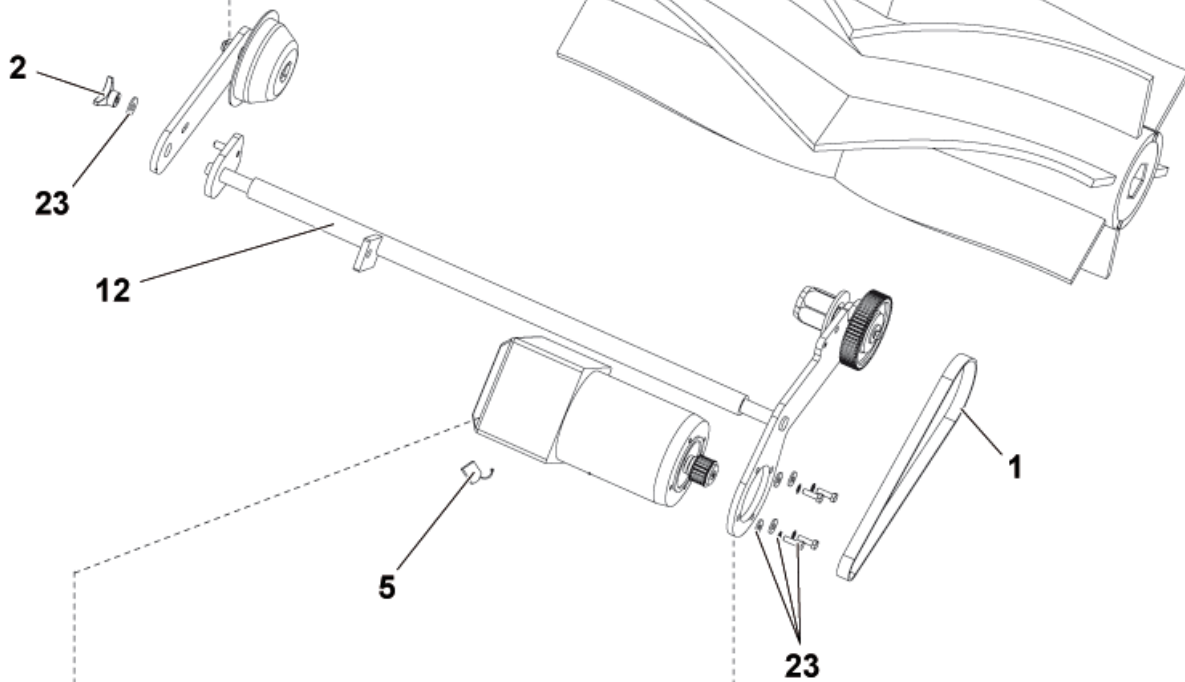
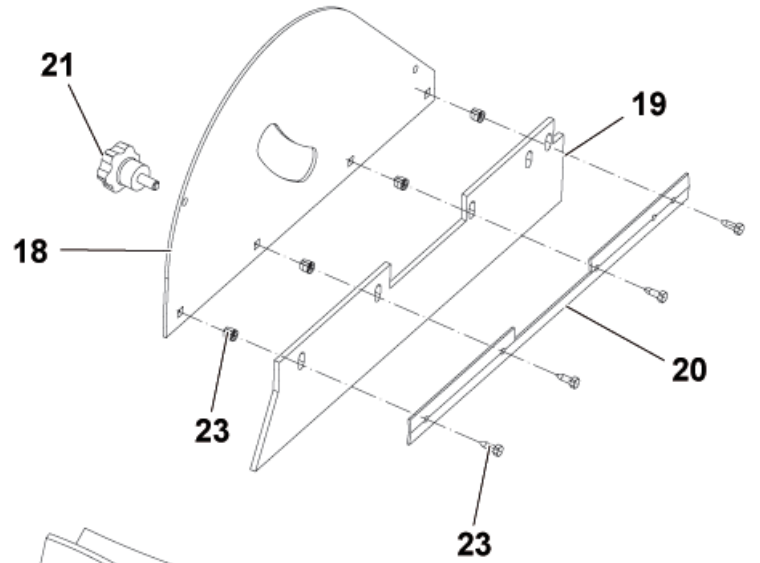
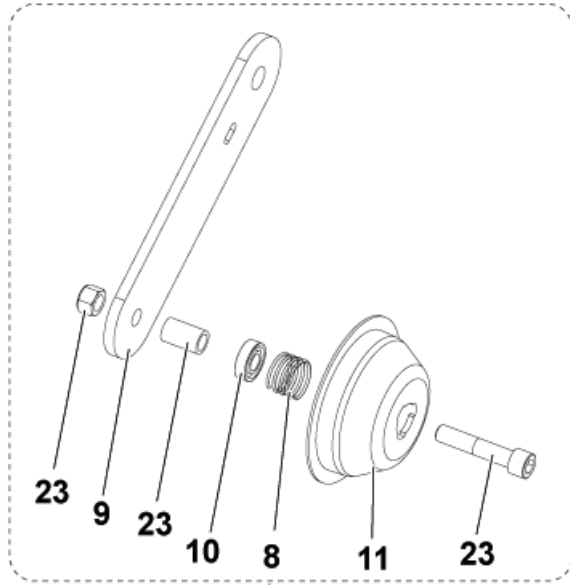
# MAIN BROOM ASSEMBLY

SR 1101 B

06-06-2014

Part List ID  
SR1101B0080

11



# MAIN BROOM ASSEMBLY

SR 1101 B

06-06-2014

Part List ID  
SR1101B0080

12

Pos	Part no.	Qty	Description	
0	1464101000	1	CARPET KIT SR1101	OPTIONAL - 1464103000 ASS. INSTR.
1	145 1851 000	1	belt HTD 5M 15 710	
2	145 5035 000	1	KNOB	
3	145 4879 000	1	MAIN BRUSH PPL	
3	145 4957 000	1	BRUSH MAIN 300x700 STEEL	OPTIONAL
3	145 6080 000	1	MAIN BRUSH NATURAL FIBRE	OPTIONAL
4	146 2792 000	1	MOTOR BROOM MAIN KIT	
5	1464432000	1	BRUSH CARBON KIT	
6	145 9774 000	1	Key 5x 5x20 (min 10 box)	
7	145 1849 000	1	pulley HTD 20 5M 15 6F	
8	145 0271 000	1	Spring	
9	145 1845 000	1	central brush lever	
10	145 0270 000	1	Ball bearing 6001 2RS	
11	145 0269 000	1	Hub	
12	146 2464 000	1	SHAFT MAIN BROOM	
13	145 8197 000	1	Key 4x 4x20 (min 10 box)	
14	146 1489 000	1	KEY 4X4X15 UNI6604A	
15	145 1850 000	1	pulley HTD 60 5M 15 6W	
16	145 8196 000	2	Ball bearing 6002 2RS	
17	1463877000	1	HUB< MAIN BRUSH	
18	145 1827 000	1	central brush hatch	
19	145 5927 000	1	SIDE FLAP	
20	145 5929 000	1	SIDE FLAP PLATE	
21	145 2244 000	2	Knob M 6x 15	
22	145 1791 000	1	central brush pin	
23	1464291000	1	HARDWARE MAIN BROOM KIT	

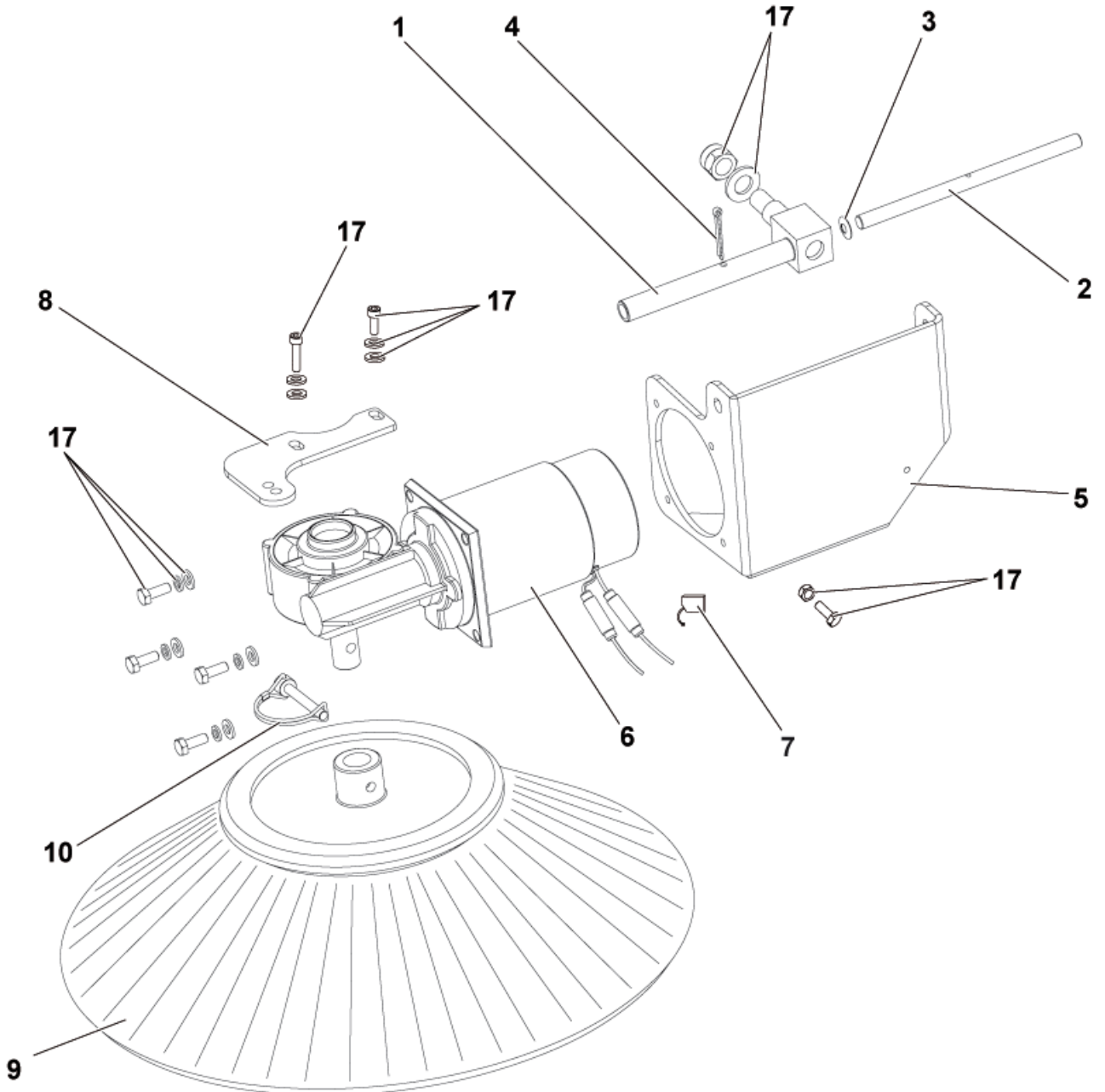
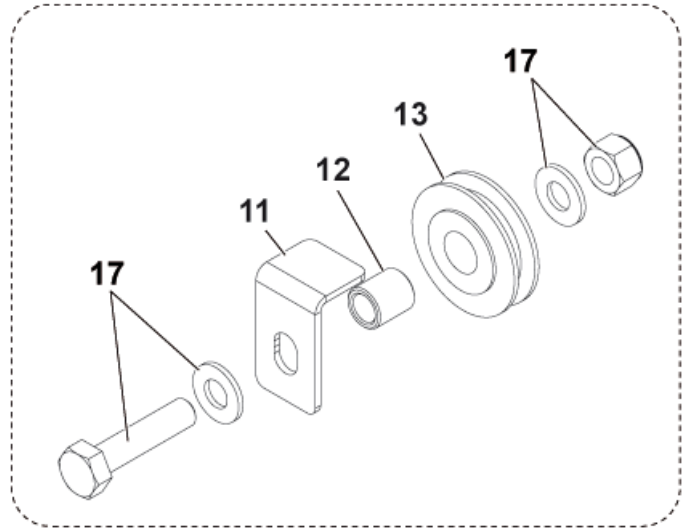
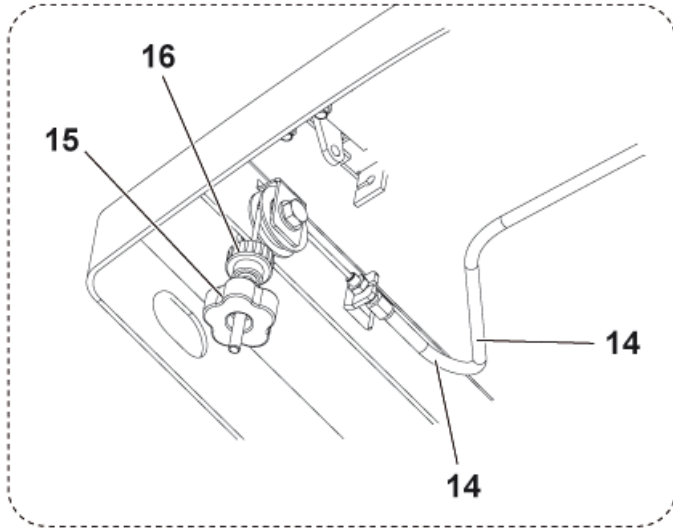
# RIGHT SIDE BROOM ASSY

SR 1101 B

06-06-2014

Part List ID  
SR1101B0100

13



# RIGHT SIDE BROOM ASSY

SR 1101 B

06-06-2014

Part List ID  
SR1101B0100

14

Pos	Part no.	Qty	Description	
1	145 1792 000	1	side brush pin	
2	145 1951 000	1	side brush pin	
3	145 2644 000	1	Spring 6,2x 15x0,5	
4	145 9624 000	1	SPLIT PIN	
5	1463150000	1	SUPPORT RIGHT SIDE BROOM	
6	1463953000	1	REDUCTION GEARMOTOR 60W 24V SX	
7	145 5125 000	2	CARBON BRUSH	
8	1464355000	1	BRACKET GEAR FIX	
9	1463952000	1	BROOM SIDE 180 X 4009MM STEEL MIX - SR 1101	
9	1463969000	1	BROOM SIDE 180 X 400MM NATURAL FIBRE - SR1101	OPTIONAL
10	1463960000	1	CLIP WITH PIN	
11	1463957000	1	BRACKET CABLE FIXING	
12	909 5312 000	1	SPACER 8,2X12X13,5	
13	145 2612 000	1	PULLEY	
14	146 2475 000	1	CABLE RIGHT SIDE BROOM	
15	146 2470 000	1	KNOB M6	
16	146 2471 000	1	HANDWHEEL	
17	1464100000	1	HARDWARE SIDE BROOM KIT	

# LEFT SIDE BROOM ASSY

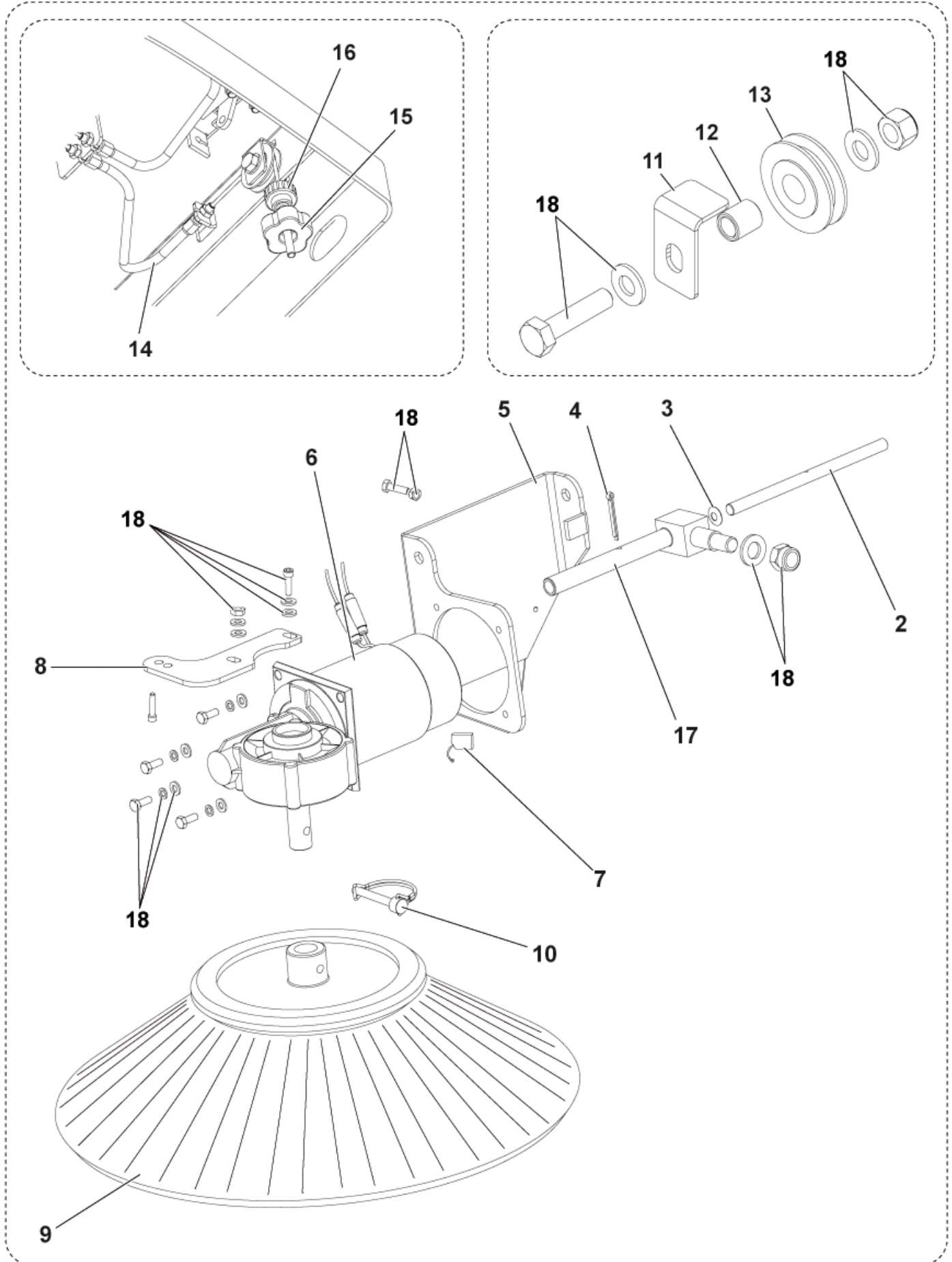
SR 1101 B

06-06-2014

Part List ID  
SR1101B0120

15

1



# LEFT SIDE BROOM ASSY

SR 1101 B

06-06-2014

Part List ID  
SR1101B0120

16

Pos	Part no.	Qty	Description	
1	1463970000	1	BROOM LEFT SIDE KIT SR1101	OPTIONAL - 1463971000 ASS. INSTR.
2	145 1951 000	1	side brush pin	
3	145 2644 000	1	Spring 6,2x 15x0,5	
4	145 9624 000	1	SPLIT PIN	
5	1463152000	1	SUPPORT LEFT SIDE BROOM	
6	1463954000	1	REDUCTION GEARMOTOR 60W 24V SX	
7	145 5125 000	2	CARBON BRUSH	
8	1464355000	1	BRACKET GEAR FIX	
9	1463952000	1	BROOM SIDE 180 X 4009MM STEEL MIX - SR 1101	
9	1463969000	1	BROOM SIDE 180 X 400MM NATURAL FIBRE - SR1101	OPTIONAL
10	1463960000	1	CLIP WITH PIN	
11	1463957000	1	BRACKET CABLE FIXING	
12	909 5312 000	1	SPACER 8,2X12X13,5	
13	145 2612 000	1	PULLEY	
14	146 2520 000	1	CABLE LEFT SIDE BROOM	
15	146 2470 000	1	KNOB M6	
16	146 2471 000	1	HANDWHEEL	
17	145 1792 000	1	side brush pin	
18	1464100000	1	HARDWARE SIDE BROOM KIT	



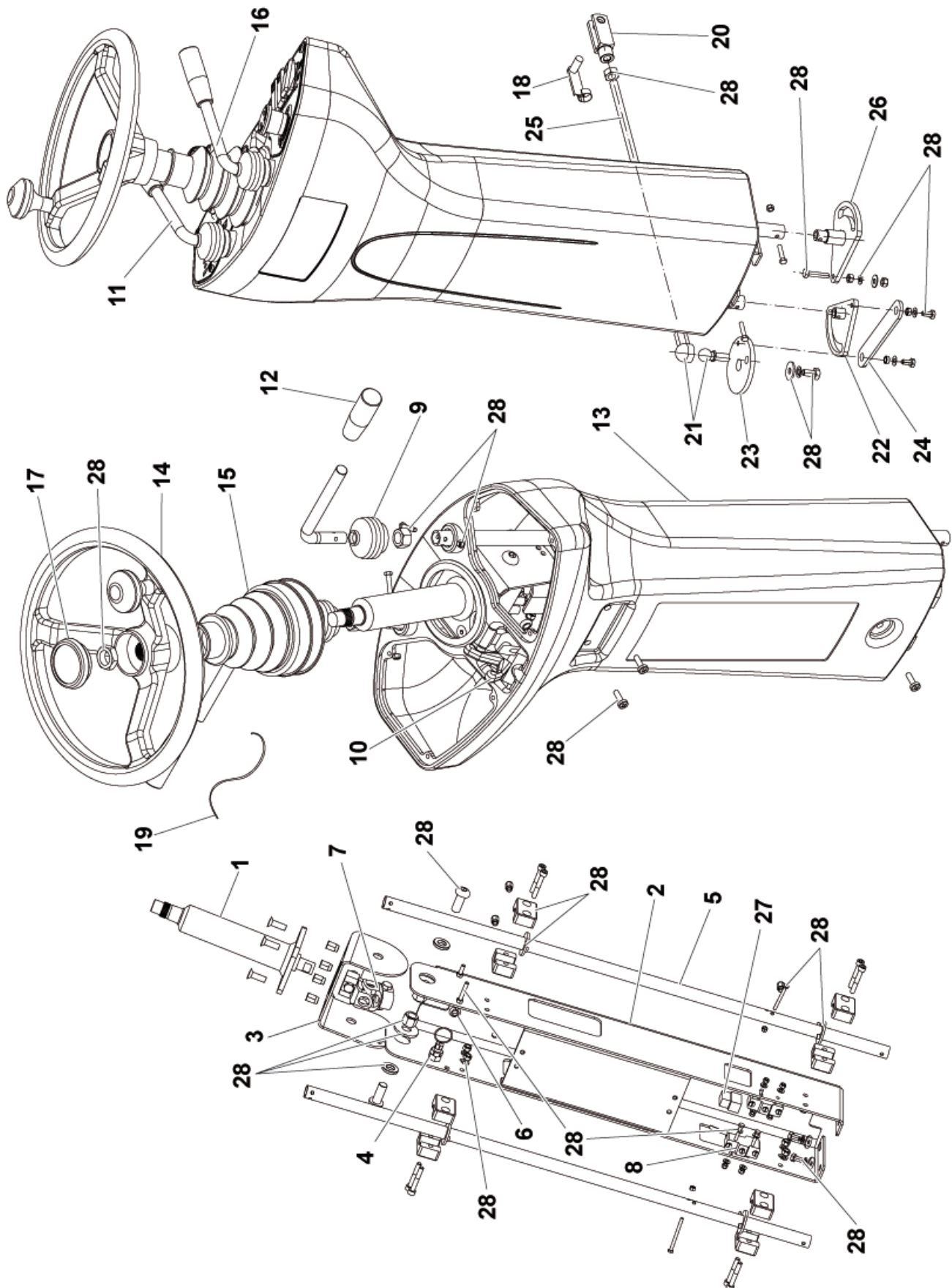
# STEERING SYSTEM

SR 1101 B

06-06-2014

Part List ID  
SR1101B0140

17



# STEERING SYSTEM

SR 1101 B

06-06-2014

Part List ID  
SR1101B0140

18

Pos	Part no.	Qty	Description
1	145 1946 000	1	steering column
2	1465515000	1	COLUMN STEERING KIT
3	1465516000	1	SUPPORT STEERING COLUMN KIT
4	146 2449 000	1	PLUNGER INDEXING
5	146 2452 000	2	SUPPORT
6	146 2450 000	2	TIE-ROD EYE D.8 M5X52MM
7	145 9619 000	1	Joint d.17
8	145 9679 000	2	Micro switch 16A 250V
9	146 2456 000	2	BELLOW RUBBER
10	146 2458 000	1	LEVER
11	1463804000	1	LEVER RIGHT SIDE
12	146 2453 000	2	Handle Lever
13	146 2212 000	1	FRONT COVER
14	146 2106 000	1	WHEEL. STEERING D.320
15	146 2457 000	1	BELLOW RUBBER
16	1463803000	1	LEVER LEFT SIDE
17	145 8753 000	1	CAP
18	145 4540 000	1	CIRCLIP M10
19	146 2451 000	1	CABLE
20	145 9666 000	1	FORK M10
21	145 9769 000	2	BALL JOINT M10
22	146 2466 000	1	LEVER MAIN BROOM
23	146 2505 000	1	PLATE MAIN BROOM
24	146 2467 000	1	LEVER MAIN BROOM
25	146 2468 000	1	ROD THREADED M10X410 DIN975
26	1463963000	1	LEVER SIDE BROOM
27	146 1646 000	1	RELAY 24V
28	1464292000	1	HARDWARE STEERING KIT

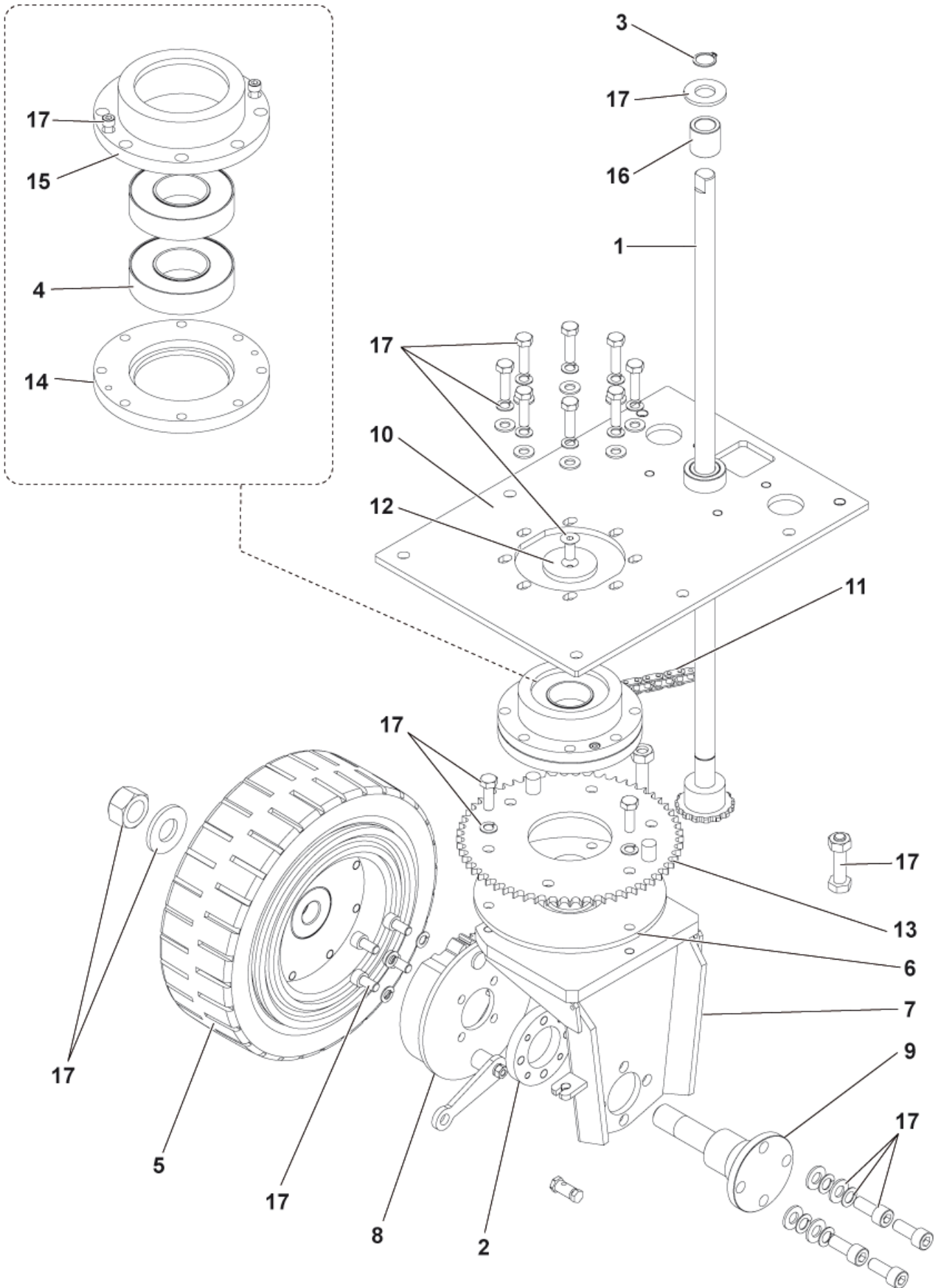
# FRONT WHEEL

SR 1101 B

06-06-2014

Part List ID  
SR1101B0160

19



# FRONT WHEEL

SR 1101 B

06-06-2014

Part List ID  
SR1101B0160

20

Pos	Part no.	Qty	Description
1	146 0960 000	1	SHAFT, STEERING
2	145 1747 000	1	front wheel brake flange
3	33006056	1	RING D 17 UNI7435
4	145 2357 000	2	Ball bearing 6207 2RS
5	146 2442 000	1	WHEEL FRONT SUPERELASTIC
5	146 2745 000	1	WHEEL,FRONT NON MARKING OPTIONAL
6	146 2438 000	1	SPACER
7	146 2437 000	1	SUPPORT FRONT WHEEL
8	146 2441 000	1	BLOCK FOR BRAKE
8	1464592000	1	SHOES BRAKE KIT
9	146 2440 000	1	PIN FRONT WHEEL
10	146 2439 000	1	PLATE SUPPORT STEERING
11	146 2443 000	1	CHAIN 3/8-73 PITCHES
12	145 2585 000	1	WASHER
13	145 2714 000	1	CROWN
14	145 2587 000	1	FLANGE
15	145 2586 000	1	FLANGE
16	145 9505 000	1	Bush BBB 17x25x25
17	1464293000	1	HARDWARE FRONT WHEEL KIT

# PEDAL ASSEMBLIES 1

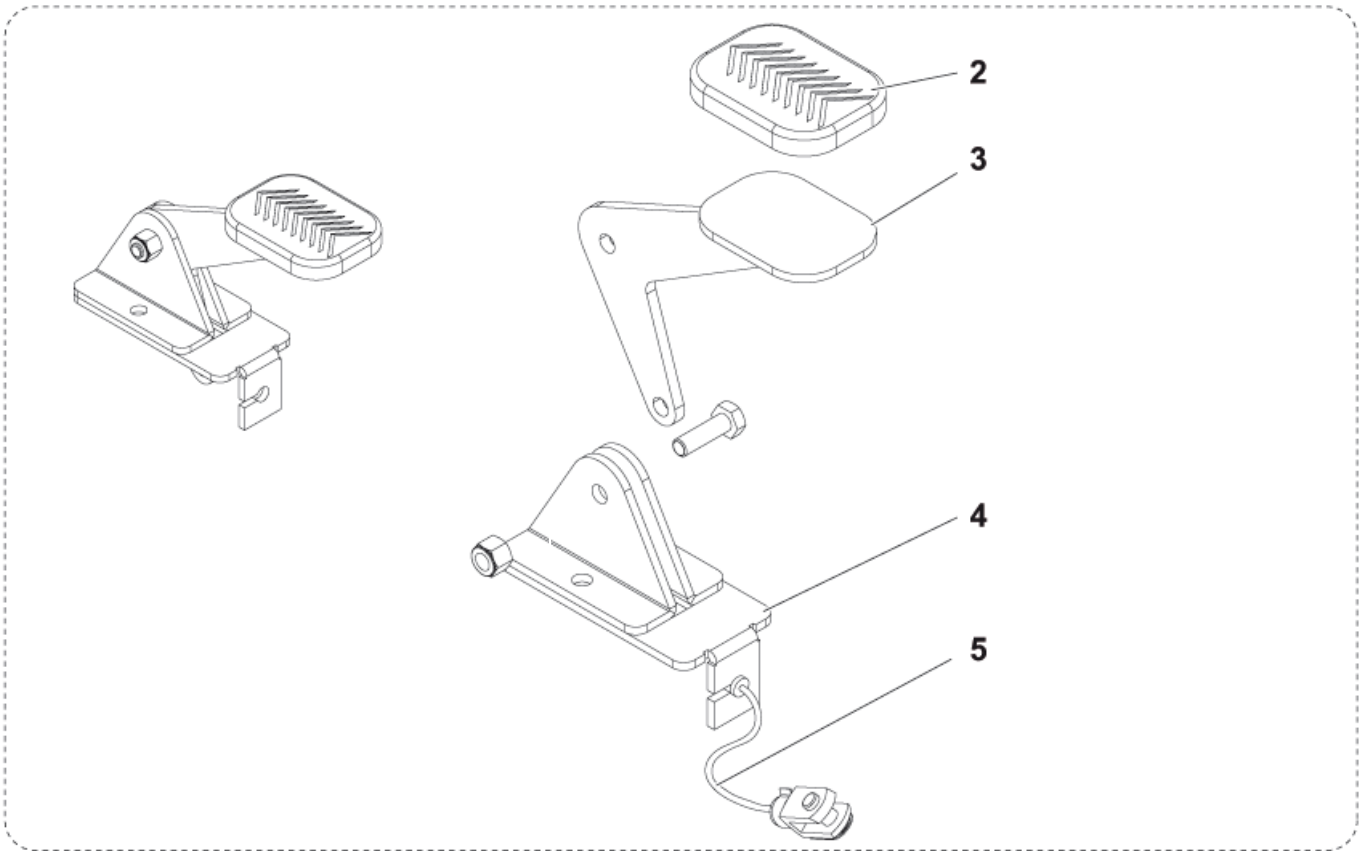
SR 1101 B

06-06-2014

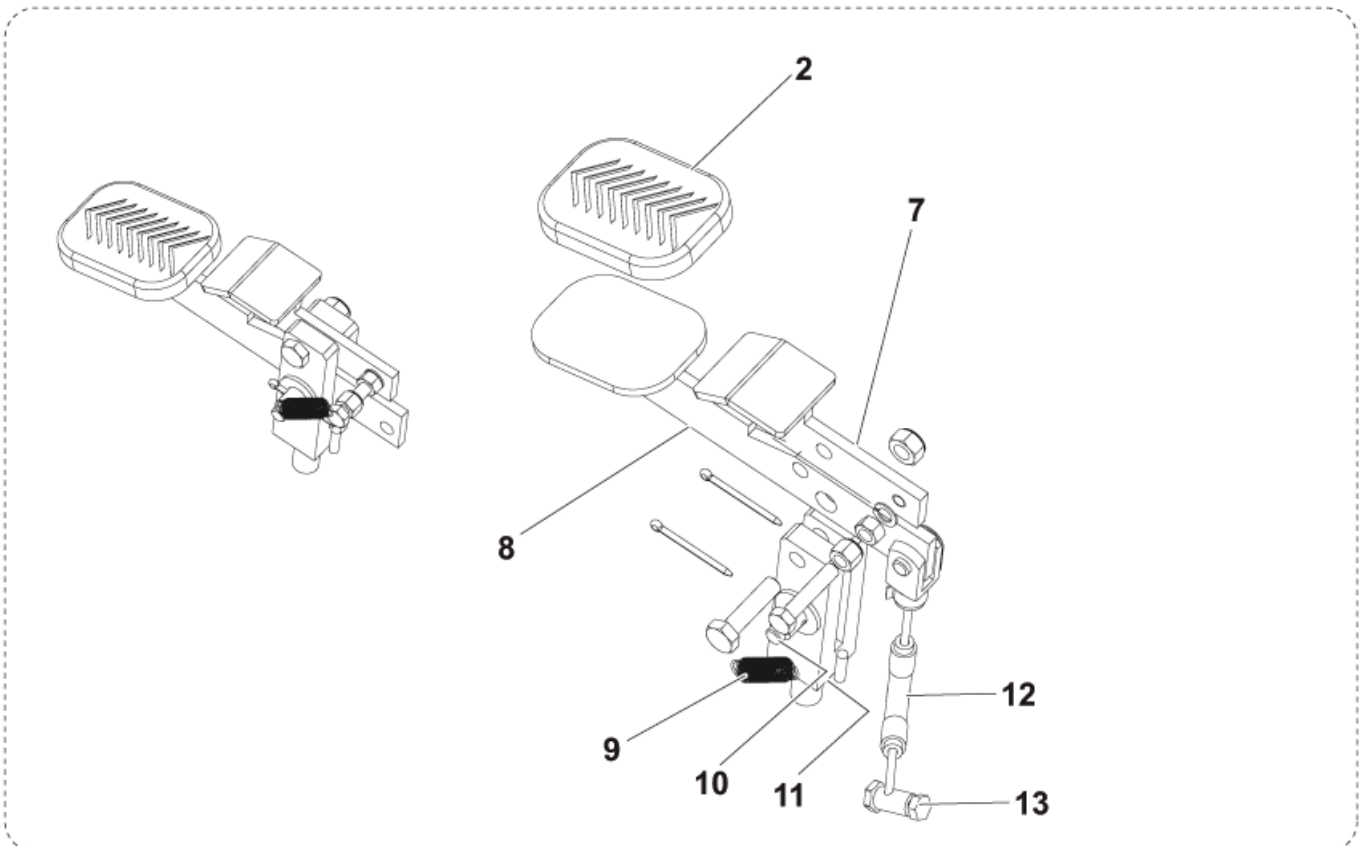
Part List ID  
SR1101B0180

21

1



6



# PEDAL ASSEMBLIES 1

SR 1101 B

06-06-2014

Part List ID  
SR1101B0180

22

Pos	Part no.	Qty	Description
1	146 2852 000	1	PEDAL SKIRT RAIS.DEVICE KIT
2	145 8478 000	2	Rubber pedal cover
3	145 1841 000	1	PEDAL SKIRT RAIS.DEVICE
4	145 1839 000	1	support pedal
5	146 2477 000	1	CABLE SKIRT RAIS.DEVICE
6	146 2853 000	1	PEDAL BRAKE KIT
7	145 3490 000	1	PEDAL BRAKE
8	145 3472 000	1	Pedal 850 E
9	145 9290 000	1	Spring
10	145 2541 000	1	Pin
11	145 2540 000	1	Pedal support
12	146 2463 000	1	BRAKE CABLE
13	146 2444 000	1	clamp cable

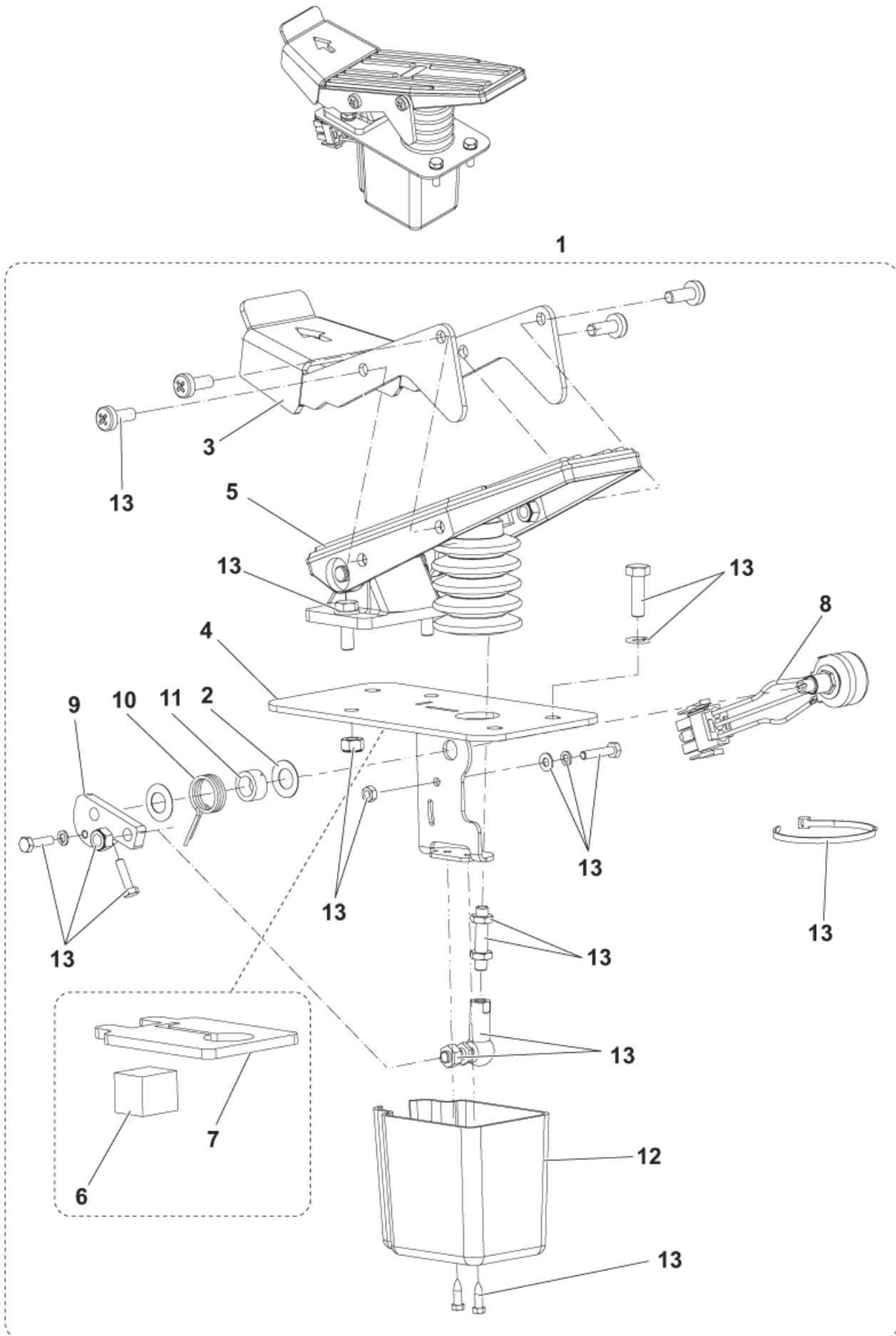
# PEDAL ASSEMBLIES 2

SR 1101 B

06-06-2014

Part List ID  
SR1101B0200

23



# PEDAL ASSEMBLIES 2

SR 1101 B

06-06-2014

Part List ID  
SR1101B0200

24

Pos	Part no.	Qty	Description
1	146 2952 000	1	PEDAL SPEED CONTROL KIT
2	145 1147 000	2	WASHER 10.2X18.8X0.35
3	146 2929 000	1	BRACKET.SPEED CONTR.PEDAL
4	146 2930 000	1	SUPPORT.SPEED CONTR.PEDAL
5	146 2910 000	1	PEDAL SPEED CONTROL
6	146 2062 000	1	GASKET ADHESIVE 20X20 L. 24MM
7	146 2315 000	1	GASKET. PEDAL
8	146 2480 000	1	HARNESS DRIVE PEDAL
9	146 2882 000	1	LEVER POTENTIOMETER
10	146 2883 000	1	PEDAL SPRING
11	146 2884 000	1	SPACER 10.3X15X7.5
12	145 4086 000	1	COVER PEDAL RUBBER
13	909 6834 000	1	HARDWARE,PEDAL FIXING KIT



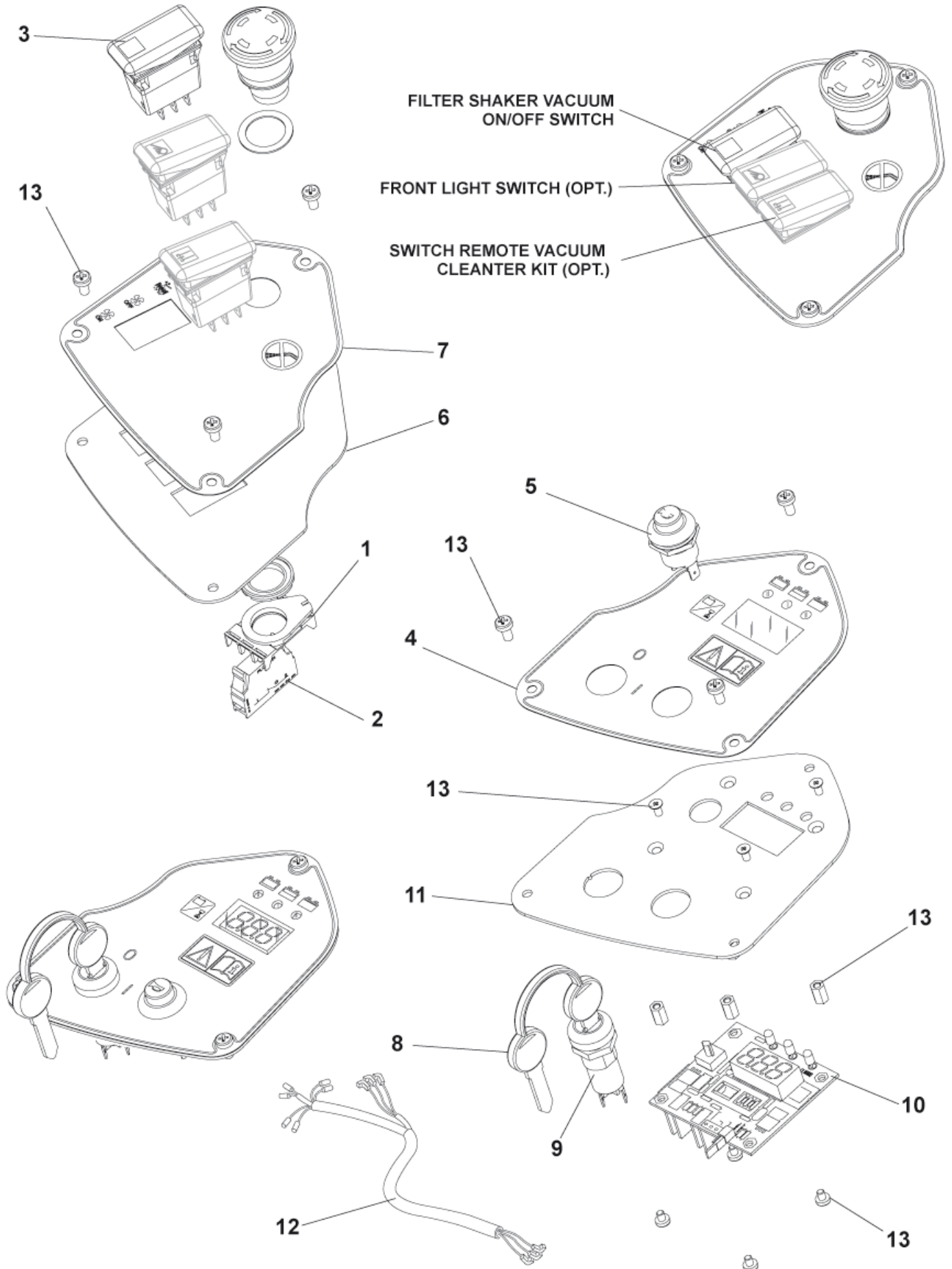
# CONTROL PANELS SYSTEM

SR 1101 B

06-06-2014

Part List ID  
SR1101B0220

25



# CONTROL PANELS SYSTEM

SR 1101 B

06-06-2014

Part List ID  
SR1101B0220

26

Pos	Part no.	Qty	Description
1	146 1727 000	1	SWITCH, EMERGENCY
2	146 1728 000	1	CONTACT, NC.
3	146 2532 000	1	SWITCH
4	1463989000	1	DECAL CONTROL PANEL RIGHT SR 1101B
5	145 9678 000	1	Push button
6	146 2460 000	1	CONTROL PANEL LEFT
7	1463987000	1	DECAL CONTROL LEFT SR 1101 B/P
8	146 2887 000	1	KEY (2 PCS)
9	146 2888 000	1	SWITCH KEY WITH CAP
10	1465913000	1	CARD DISPLAY UNIT
11	146 2459 000	1	CONTROL PANEL RIGHT
12	146 2489 000	1	HARNESS CONTROL PANEL
13	1464294000	1	HARDWARE CONTROL PAN.KIT

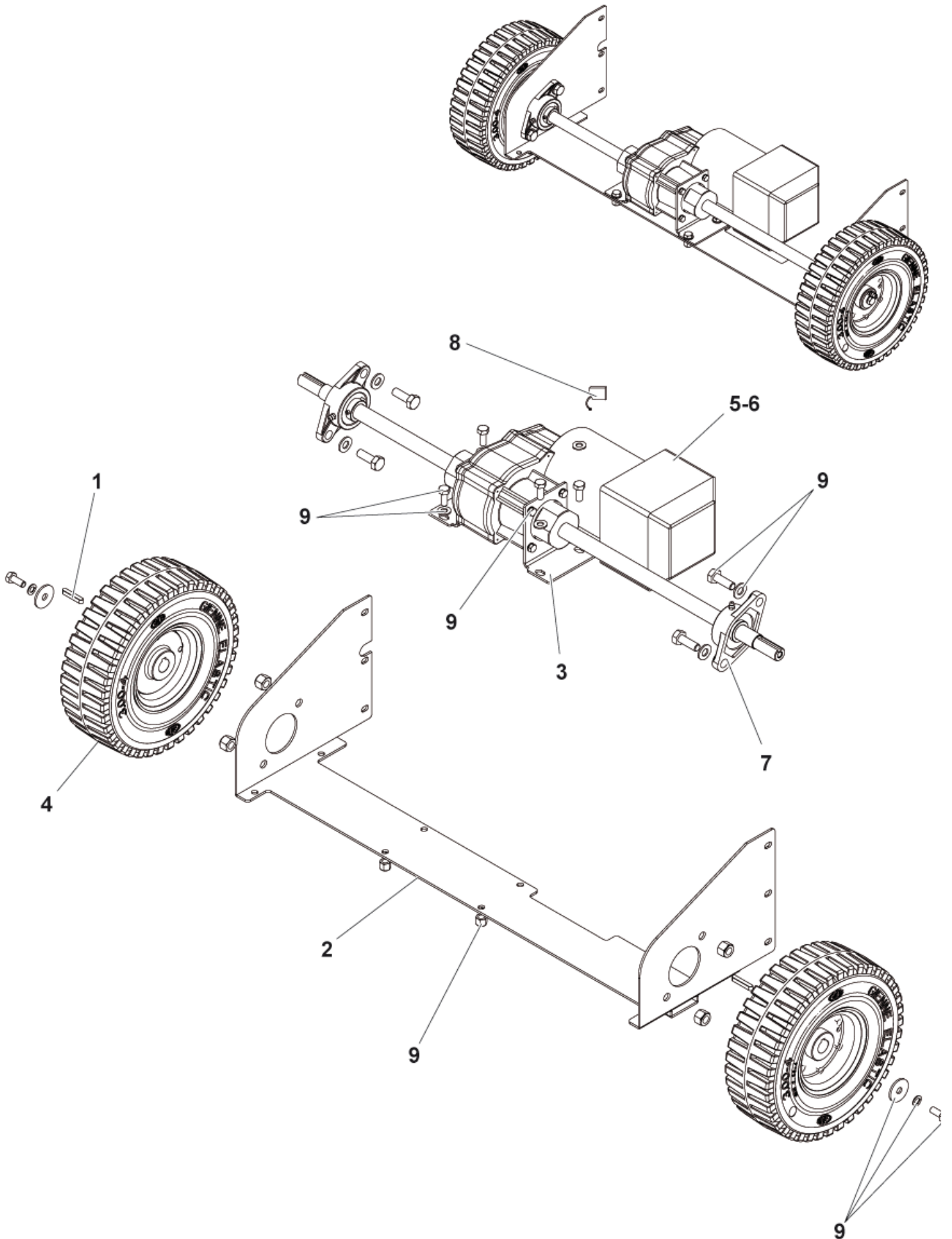
# DRIVE SYSTEM

SR 1101 B

06-06-2014

Part List ID  
SR1101B0240

27



# DRIVE SYSTEM

SR 1101 B

06-06-2014

Part List ID  
SR1101B0240

28

Pos	Part no.	Qty	Description
1	145 9776 000	2	Key 6x 6x35 (min 10 box)
2	1463951000	1	BRIDGE REAR WHEELS
3	146 2435 000	2	SUPPORT DRIVE MOTOR
4	146 2433 000	2	WHEEL REAR SUPERELASTIC
4	146 2746 000	2	WHEEL,REAR NON MARKING OPTIONAL
5	1463228000	1	REDUCTION GEARMOTOR KIT
6	1463232000	1	REDUCTION GEARMOTOR KIT W/HARNESS PETROL
7	146 2436 000	2	BALL BEARING W/ FLANGE
8	L08603949	1	BRUSH CARBON KIT (4PCS)
9	1464295000	1	HARDWARD DRIVE SYST KIT

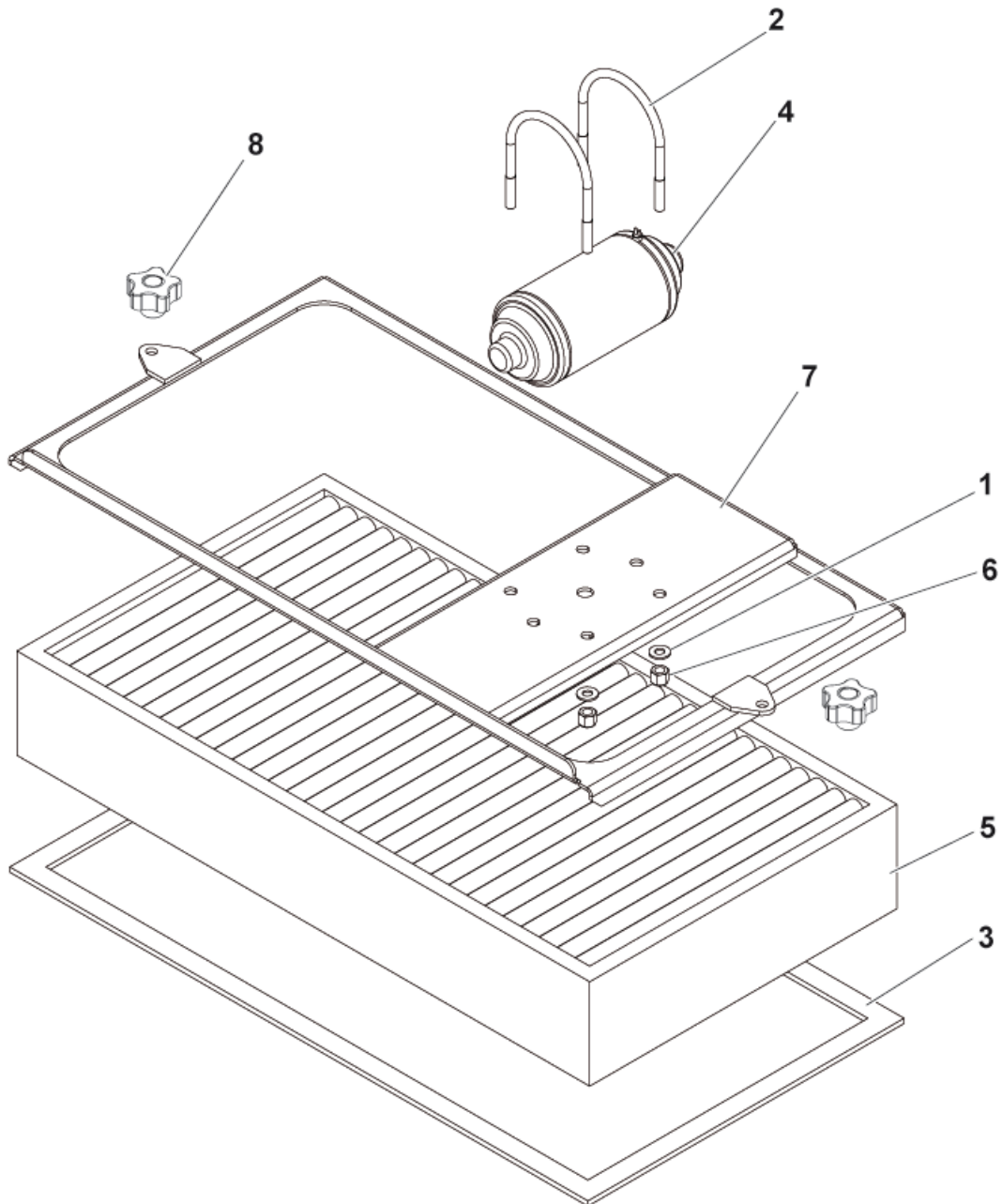
# DUST CONTROL SYSTEM

SR 1101 B

06-06-2014

Part List ID  
SR1101B0260

29



# DUST CONTROL SYSTEM

SR 1101 B

06-06-2014

Part List ID  
SR1101B0260

30

Pos	Part no.	Qty	Description	
0	146 2731 000	1	PRE-FILTER SR 1100S	OPTIONAL
1	33005915	4	WASHER M8 UNI6592	
2	146 0072 00	2	Clamp	
3	146 2729 000	1	GASKETS KIT	
4	146 2795 000	1	MOTOR FILTER SHAKER KIT	
5	145 6013 000	1	FILTER POLYESTER ANTISTATIC	OPTIONAL
5	146 2759 000	1	FILTER POLYESTER	OPTIONAL
5	1463523000	1	FILTER PAPER PANEL	
6	33005565	4	SELF-LOCKING NUT M8	
7	146 2428 000	1	FRAME FILTERSHAKER MOTOR	
8	146 1851 000	2	KNOB M8	

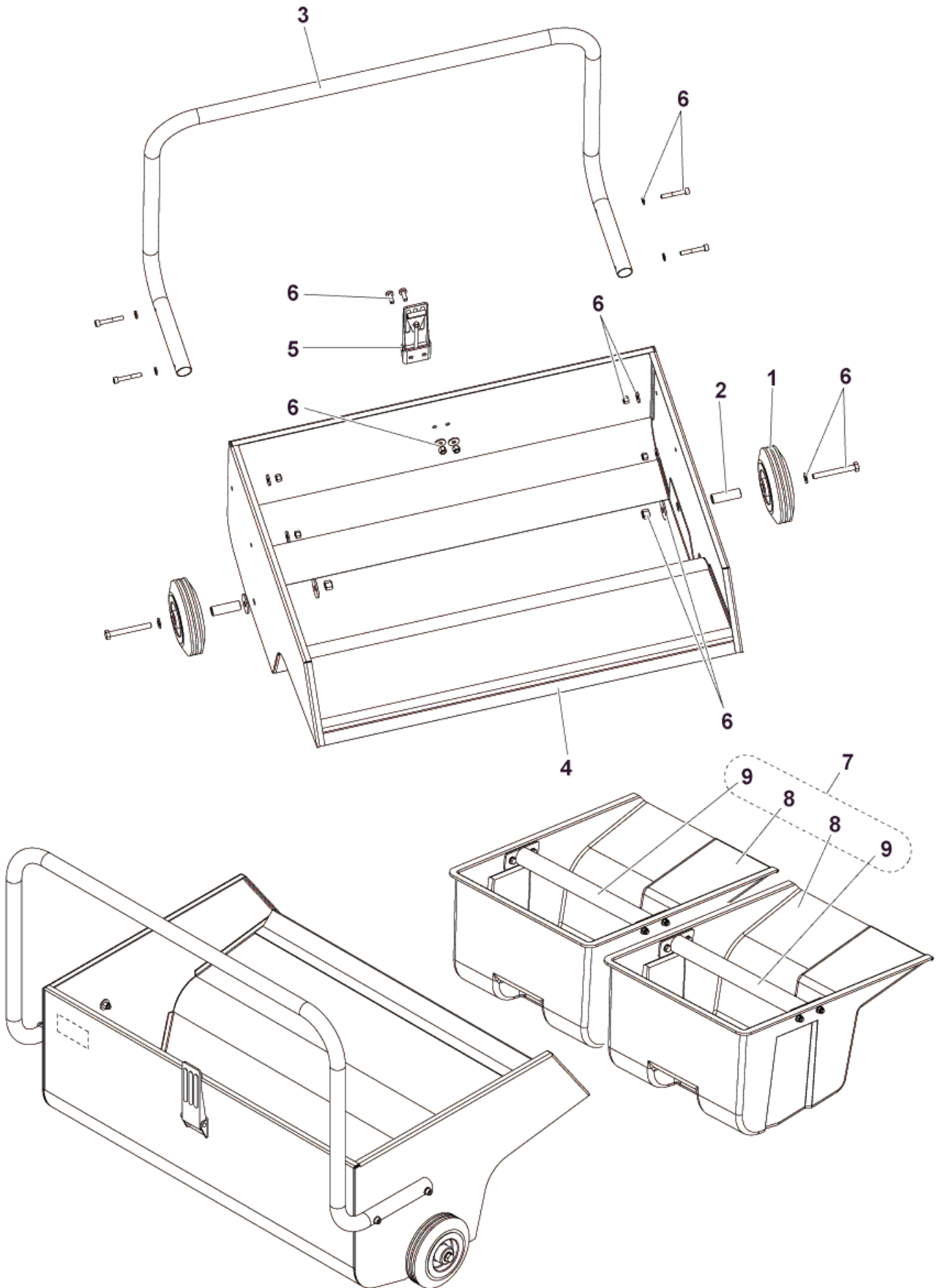
# WASTE CONTAINER ASSEMBLY

SR 1101 B

06-06-2014

Part List ID  
SR1101B0280

31



# WASTE CONTAINER ASSEMBLY

SR 1101 B

06-06-2014

Part List ID  
SR1101B0280

32

Pos	Part no.	Qty	Description	
1	145 5116 000	2	WHEEL	
2	145 5118 000	2	BUSH	
3	1463958000	1	HANDLE DIRT CONTAINER	
4	1463948000	1	CONTAINER WASTE	
5	145 9330 000	1	Hook	
6	1464296000	1	HARDWARE WASTE CONT KIT	
7	1463981000	1	MINI CONTAINER KIT	OPTIONAL
8	1463973000	2	MINI CONTAINER DIRT	
9	1464212000	2	HANDLE MINI CONTAINER	



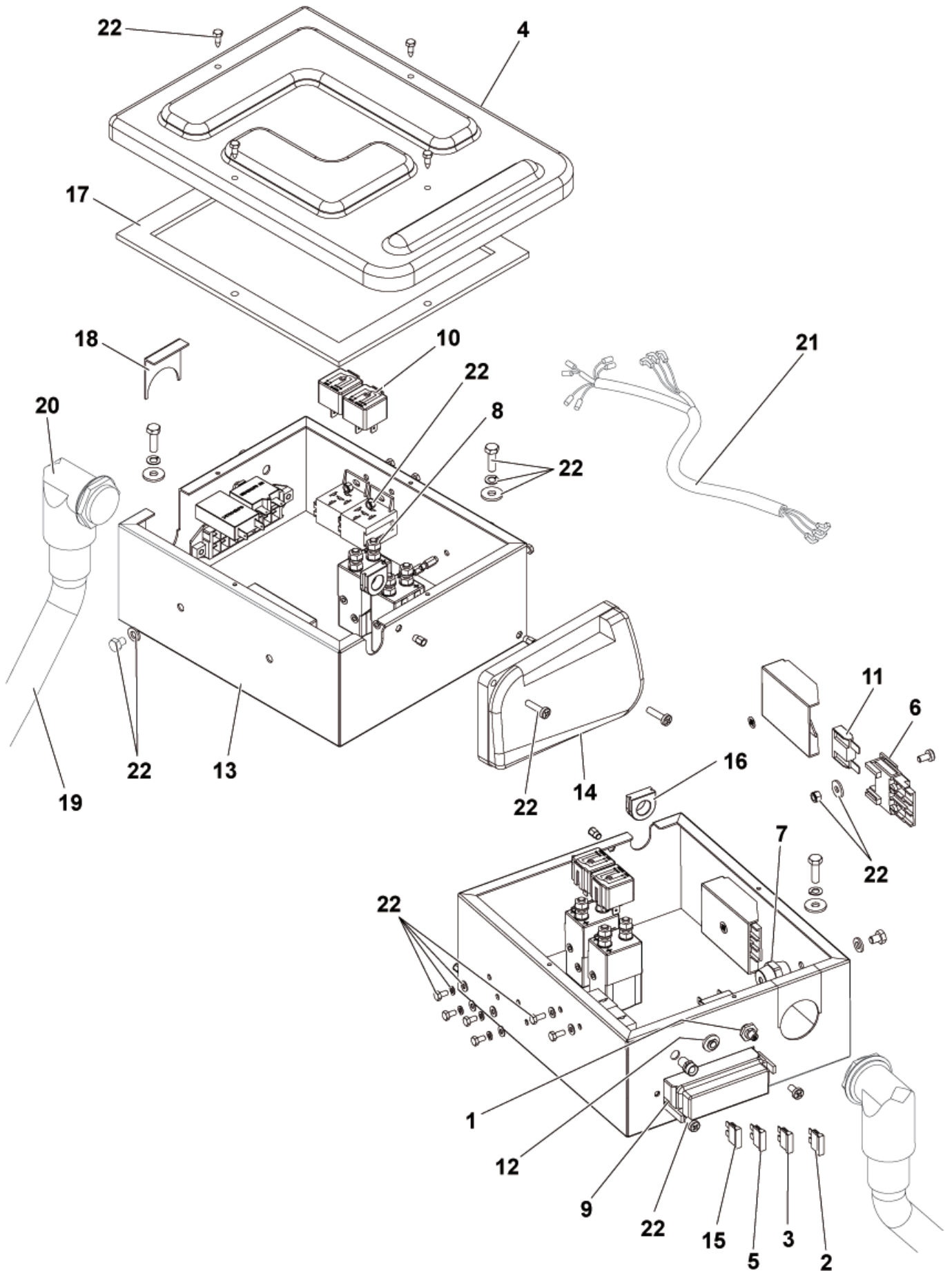
# ELECTRICAL COMPONENTS 1

SR 1101 B

06-06-2014

Part List ID  
SR1101B0300

33



# ELECTRICAL COMPONENTS 1

SR 1101 B

06-06-2014

Part List ID  
SR1101B0300

34

Pos	Part no.	Qty	Description	
0	909 6350 000	1	PROGRAMMER HANDHELD	not shown
1	L08812633	1	FUS 10 A FUS 10 A	
2	145 8513 000	1	Fuse 30A	
3	145 0227 000	1	Fuse 40A	
4	146 2484 000	1	COVER BOX ELEC.COMPONENTS	
5	145 8514 000	2	Fuse 25A	
6	146 0659 000	1	HOLDER MAXIFUSE	
7	146 0708 000	1	INSULATOR M6 WHITE	
8	146 0719 000	1	SWITCH ELECTROMAGNETIC 24V	
9	146 1170 000	1	HOLDER FUSE 8 WAYS	
10	145 3712 000	2	Relay 24V	
11	146 2486 000	1	FUSE 70A	
12	909 5706 000	1	CIRCUIT BREAKER 30A	
13	1463962000	1	BOX ELECTRIC COMPONENTS	
14	146 2483 000	1	CARD ELECTRONIC DRIVE	
15	145 9853 000	2	Fuse 15A	
16	146 2485 000	2	GROMMET	
17	146 2802 000	1	GASKET ELECTRIC BOX	
18	1463961000	1	PLATE FOR HARNESS	
19	1464164000	1	HARNESS MACHINE SR1101 B	
20	1463157000	1	CHOCK D.15	
21	1464165000	1	HARNESS ELECTRONIC BOX SR1101B	
22	1464297000	1	HARDWARE WIRING FIX.KIT	

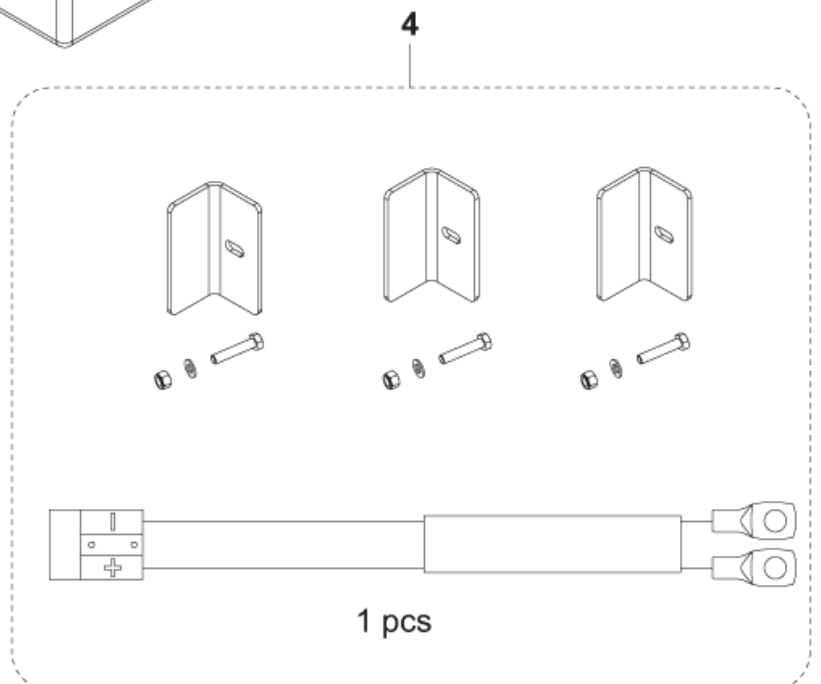
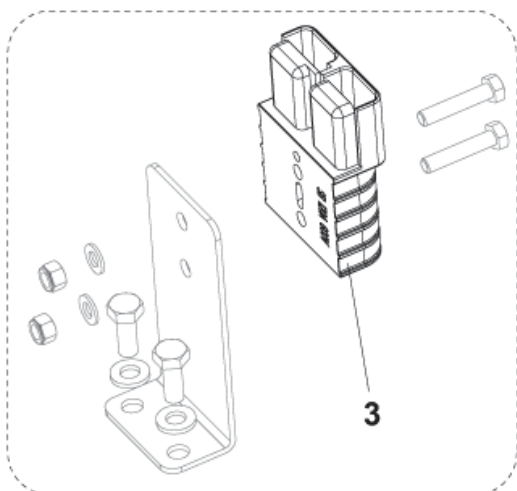
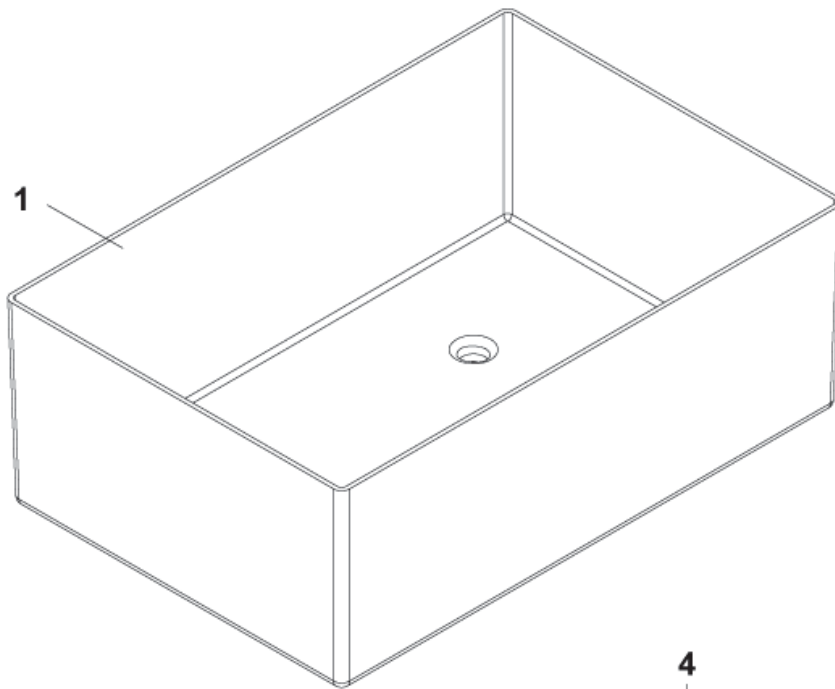
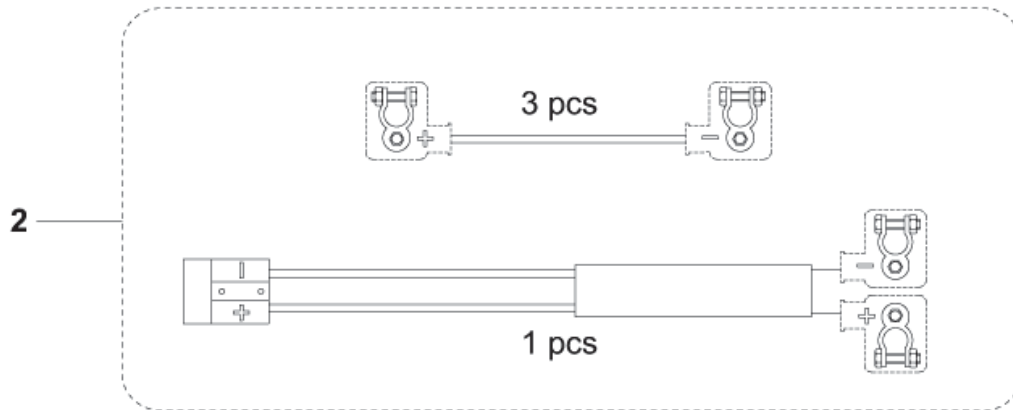
# ELECTRICAL COMPONENTS 2

SR 1101 B

06-06-2014

Part List ID  
SR1101B0320

35



# ELECTRICAL COMPONENTS 2

SR 1101 B

06-06-2014

Part List ID  
SR1101B0320

36

Pos	Part no.	Qty	Description
1	145 4692 000	1	CONTAINER BATTERY
2	146 2492 000	1	HARNESS BATTERY
3	146 1986 000	1	CHARGER PLUG SB-120 RED
4	146 2791 000	1	BOX BATTERY KIT
			OPTIONAL

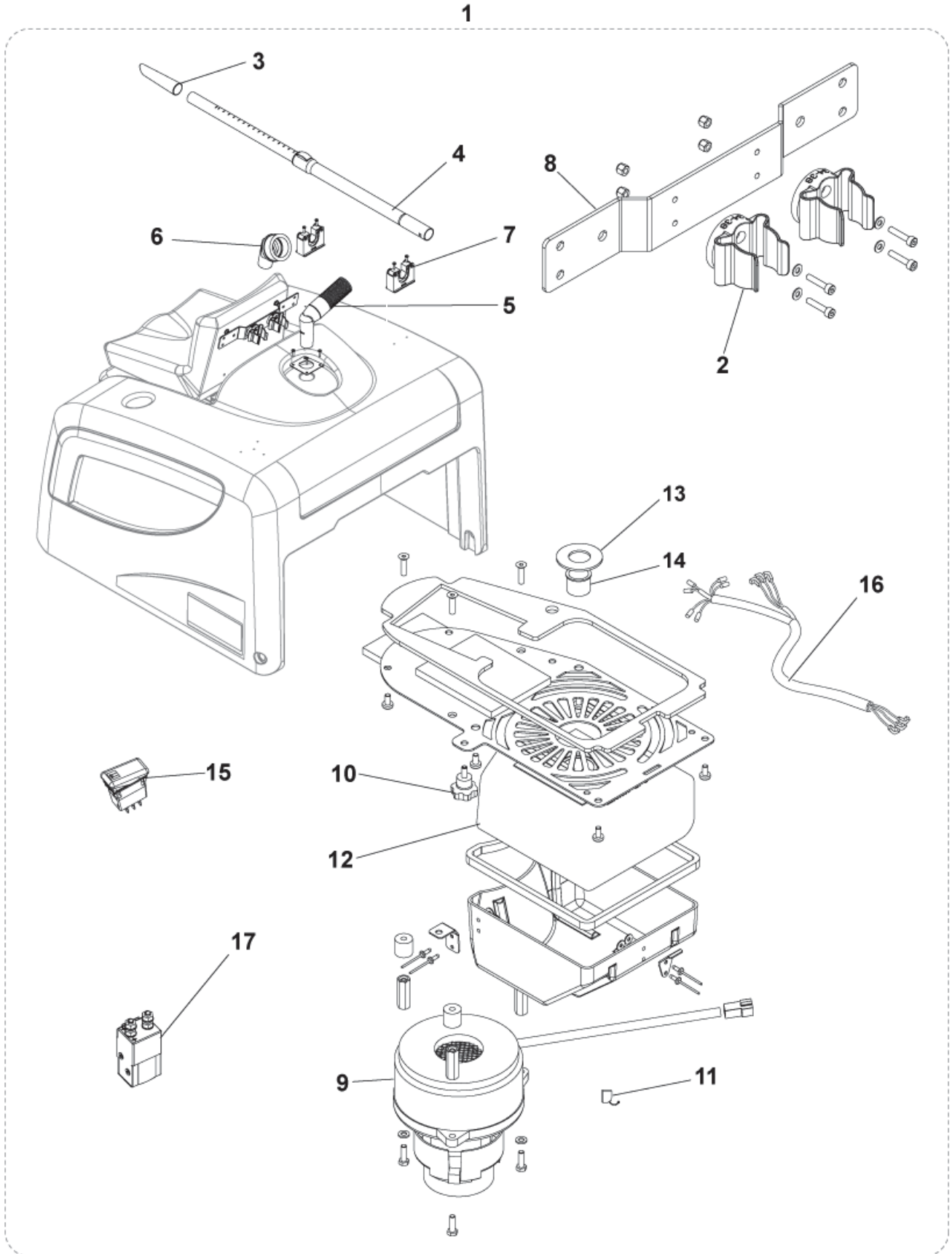
# KIT VACUUM CLEANER

SR 1101 B

06-06-2014

Part List ID  
SR1101B0340

37



# KIT VACUUM CLEANER

SR 1101 B

06-06-2014

Part List ID  
SR1101B0340

38

Pos	Part no.	Qty	Description
1	146 2524 000	1	VACUUM CLEANER KIT SR 1000 S INST. INSTR. 146 2523 000
2	146 2288 000	2	CLAMP.HOSE D.34-38
3	81140900	1	CONE 32MM PLASTIC
4	011 8130 500	1	TELESCOPIC TUBE 32MM
5	140 5691 000	1	HOSE CPL. UZ 964
6	140 8244 500	1	BRUSH NOZZLE KIT
7	146 2289 000	2	Clamp, Hose D.30-40
8	146 2291 000	1	BRACKET TOOL MOUNTING
9	146 2133 000	1	MOTOR VACUUM 500W 24V W/CONNEC.AND TE
10	145 2244 000	2	Knob M 6x 15
11	909 5074 000	1	CARBON BRUSH KIT 2PCS
12	78602600	1	DUST BAG SYNTH GO AND COUPE
13	146 2898 000	1	GASKET
14	L08812351	1	Sleeve
15	146 1973 000	1	SWITCH
16	146 2522 000	1	HARNESS VACUUM CLEANER
17	146 0719 000	1	SWITCH ELECTROMAGNETIC 24V
18	146 1980 000	1	GASKET.PLATE
19	146 2118 000	1	GASKET

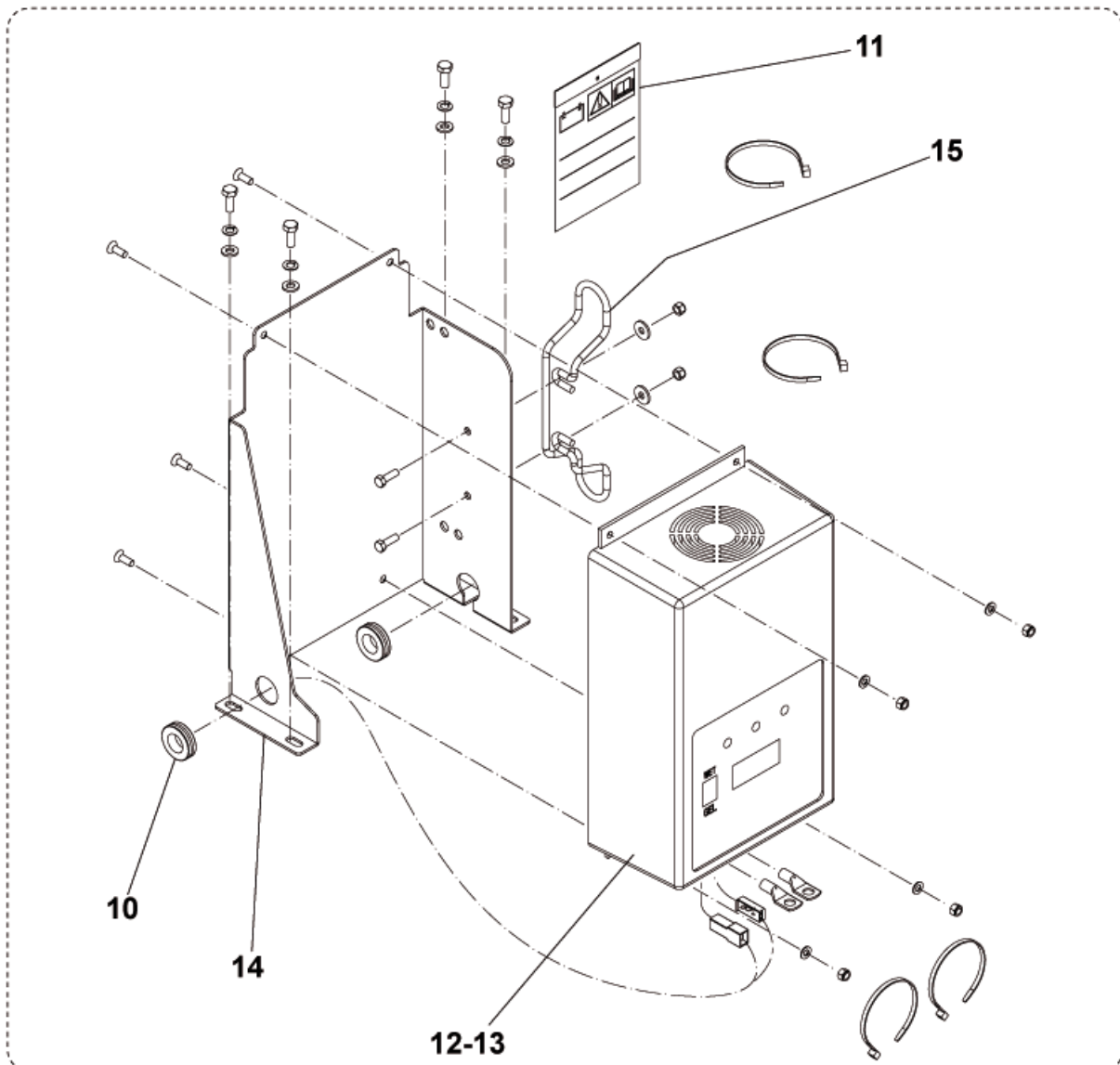
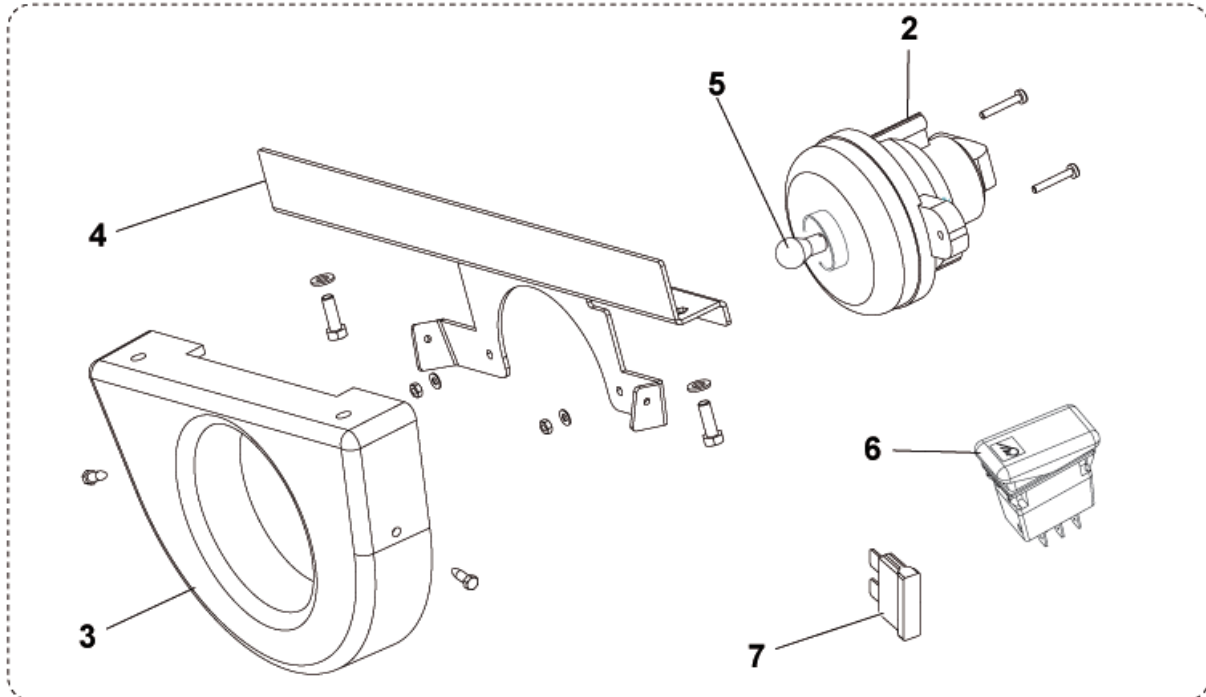
# KIT WORKING LIGHT - BATTERY CHARGE

SR 1101 B

06-06-2014

Part List ID  
SR1101B0360

39



# KIT WORKING LIGHT - BATTERY CHARGER

SR 1101 B

06-06-2014

Part List ID  
SR1101B0360

40

Pos	Part no.	Qty	Description	
0	145 1726 000	1	FUSE 10A	
0	146 0801 000	1	SWITCH WET/GEL	
0	146 2139 000	1	CARD ELECTRONIC BATTERY CHARGER	
0	146 2140 000	1	CARD ELECTRONIC BATTERY CHARGER	
0	146 2141 000	1	FUSE 15A	
0	146 2142 000	1	FAN COOLING	
0	146 2143 000	1	CARD.DISPLAY	
0	146 2144 000	1	CABLE	
0	146 2145 000	1	CABLE	
1	1463972000	1	LIGHT WORKING KIT SR1101	OPTIONAL - 1463974000 ASS. INSTR.
2	146 1985 000	1	LIGHT	
3	146 2528 000	1	PROTECTION WORKING LIGHT	
4	1464038000	1	PLATE LIGHT SUPPORT	
5	145 5518 000	1	Lamp 24V 21W	
6	146 1974 000	1	SWITCH	
7	146 0068 00	1	FUSE 10A	
8	146 2052 000	1	BATTERY CHARGER KIT SR1000 S	OPTIONAL - 146 2055 000 ASS. INSTR.
9	146 2337 000	1	CHARGER BATT.ON BOARD KIT 24V-25A JP	OPTIONAL - 146 2055 000 ASS. INSTR.
10	145 1237 000	2	CHOCK D.22	
11	146 0803 000	1	CARD INSTRUCTION.BAT.CHAR	
12	146 2131 000	1	CHARGER BATTERY 230V CPL.	
13	146 2132 000	1	CHARGER BATTERY 115V CPL.	
13	146 2817 000	1	CHARGER BATTERY 100V CPL.	for Japan
14	146 2311 000	1	BRACKET	
15	909 5149 000	1	CABLE SUPPORT	



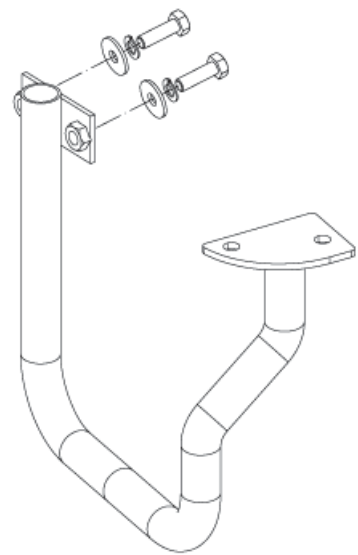
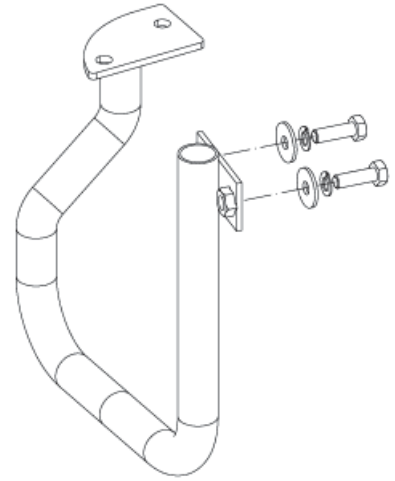
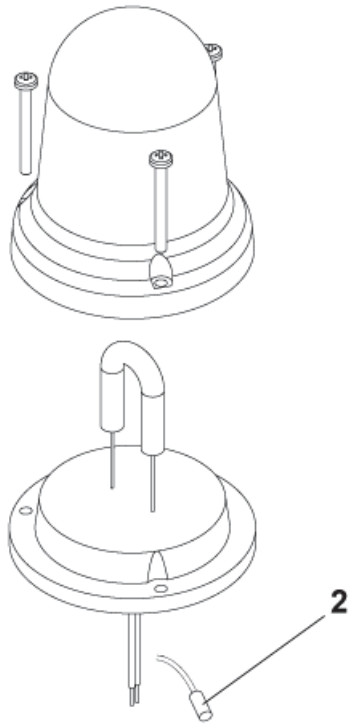
# KIT FLASHING BEACON - BROOM BUMPER - OVER

SR 1101 B

06-06-2014

Part List ID  
SR1101B0380

41



# KIT FLASHING BEACON - BROOM BUMPER - OVERH

SR 1101 B

06-06-2014

Part List ID  
SR1101B0380

42

Pos	Part no.	Qty	Description	
1	146 2692 000	1	BEACON FLASH.ON SUP.KIT SR 1100S	OPTION - INST.INSTR.146 2693 000
2	145 3738 000	1	PLUG CYL. 0.25/1	
3	1464058000	1	PROTECTION RIGHT BROOM KIT - SR1101	OPTION - INST.INSTR.1464060000
4	1464105000	1	PROTECTION LEFT BROOM KIT	OPTION - INST.INSTR.1464060000
5	146 2735 000	1	GUARD OVERHEAD KIT	OPTION - INST.INSTR.146 2738 000

# RECOMMENDED SPARE PARTS

SR 1101 B

06-06-2014

Part List ID  
SR1101B0400

43

No Drawing For Part List

# RECOMMENDED SPARE PARTS

SR 1101 B

06-06-2014

Part List ID  
SR1101B0400

44

Pos	Part no.	Qty	Description
1	1463952000	2	BROOM SIDE 180 X 4009MM STEEL MIX - SR 1101
2	145 4879 000	1	MAIN BRUSH PPL
3	1464062000	1	skirt front
4	145 5927 000	2	SIDE FLAP
5	145 1971 000	1	Rear flap
6	1463523000	1	FILTER PAPER PANEL
7	145 1851 000	1	belt HTD 5M 15 710
8	146 2477 000	1	CABLE SKIRT RAIS.DEVICE
9	146 2520 000	1	CABLE LEFT SIDE BROOM
10	146 2475 000	1	CABLE RIGHT SIDE BROOM
11	1463959000	1	CABLE MAIN BROOM
12	146 2729 000	1	GASKETS KIT
13	146 0630 000	1	GASKET L1800
14	1463977000	1	GASKETS HOPPER KIT
15	1464432000	1	BRUSH CARBON KIT
16	145 5125 000	4	CARBON BRUSH
17	L08603949	2	BRUSH CARBON KIT (4PCS)
18	909 5074 000	1	CARBON BRUSH KIT 2PCS
19	146 2486 000	1	FUSE 70A
20	145 0227 000	1	Fuse 40A
21	145 8514 000	1	Fuse 25A
22	145 8513 000	1	Fuse 30A
23	146 2433 000	2	WHEEL REAR SUPERELASTIC
24	146 2442 000	1	WHEEL FRONT SUPERELASTIC
25	146 2795 000	1	MOTOR FILTER SHAKER KIT
26	1463147000	1	SPRING GAS
27	1465913000	1	CARD DISPLAY UNIT
28	146 2887 000	1	KEY (2 PCS)
29	146 2483 000	1	CARD ELECTRONIC DRIVE
30	146 2792 000	1	MOTOR BROOM MAIN KIT
31	1463953000	1	REDUCTION GEARMOTOR 60W 24V SX
32	1463954000	1	REDUCTION GEARMOTOR 60W 24V SX
33	145 9679 000	2	Micro switch 16A 250V
34	146 2532 000	1	SWITCH
35	909 5706 000	1	CIRCUIT BREAKER 30A
36	L08812633	1	FUS 10 A FUS 10 A
37	146 2952 000	1	PEDAL SPEED CONTROL KIT
38	146 1646 000	1	RELAY 24V
39	146 0719 000	1	SWITCH ELECTROMAGNETIC 24V
40	146 2480 000	1	HARNESS DRIVE PEDAL
41	146 2463 000	1	BRAKE CABLE